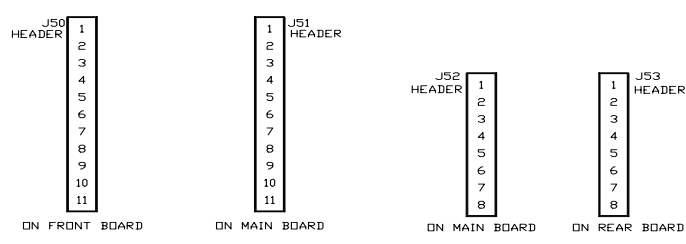


TEST POINT CONDITIONS:
 120V, 60HZ LINE VOLTAGE, PWR SW IN 100W POSITION
 DC VOLTAGES MEASURED WITH NO SIGNAL APPLIED.
 6L6 OUTPUT TUBES INSTALLED, SW5 IN 6L6 POSITION.
 ALL CONTROLS @ '5' EXCEPT MASTER & BAL OUT @ '10'.
 ULTRAHI & ULTRALD TO BE 'OFF'.



LAST DESIGNATOR	USED	NOT USED
J55		C23, DB-15, R6
R83		R63-65, 80-82
C45		
S5		
IC3		
DI9		

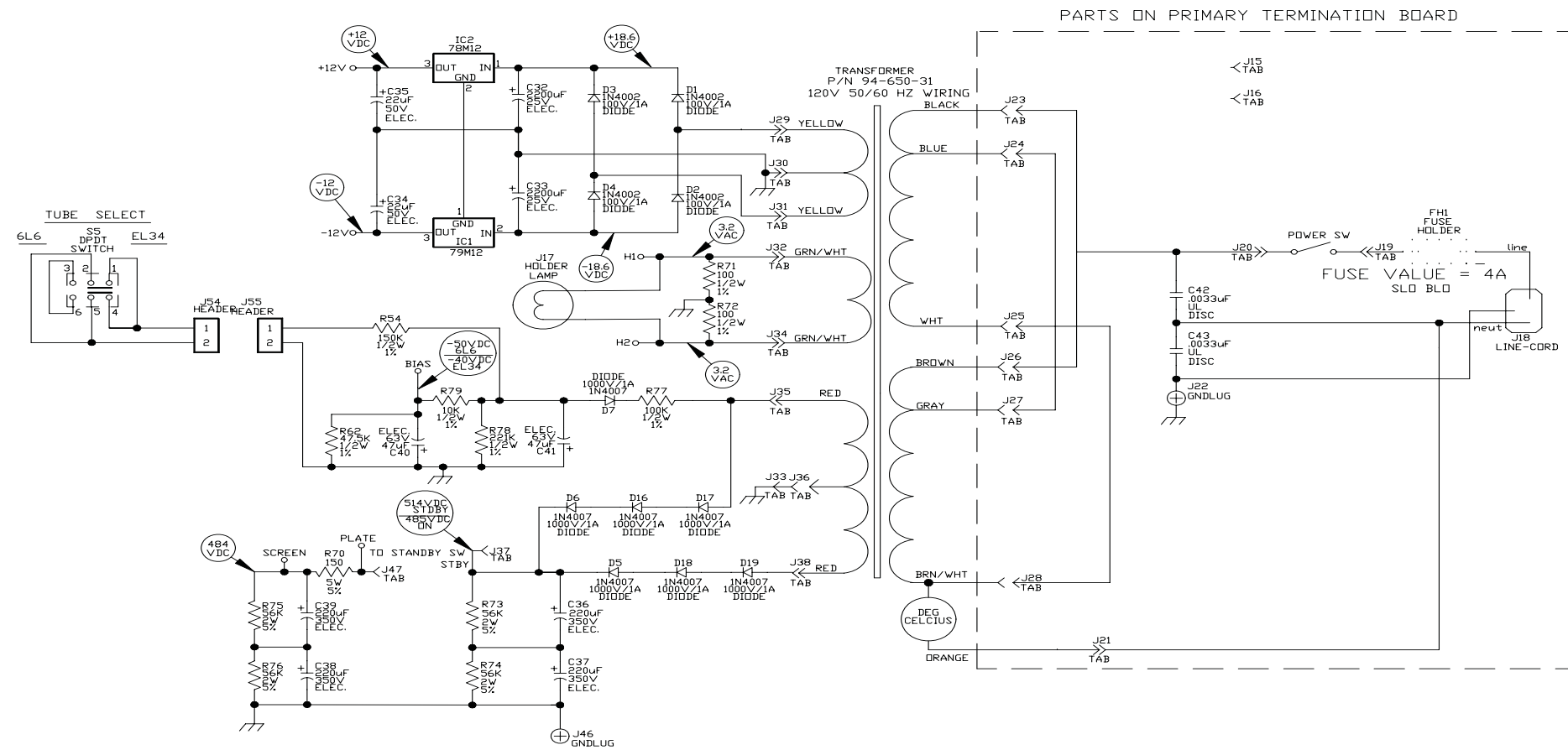
REV	DATE	BY	CHK'D	DESCRIPTION
⑤				
④	8/3/98	REM	OK	REV_TO_MATCH_PICT_PER_E980078.

CAUTION:
 THIS SCHEMATIC IS PROVIDED FOR USE BY QUALIFIED PERSONNEL.
 TO AVOID RISK OF ELECTRIC SHOCK, REFER SERVICING TO QUALIFIED
 SERVICE PERSONNEL. DO NOT PERFORM ANY SERVICING BEYOND
 THAT EXPLAINED IN THE OPERATING INSTRUCTIONS.

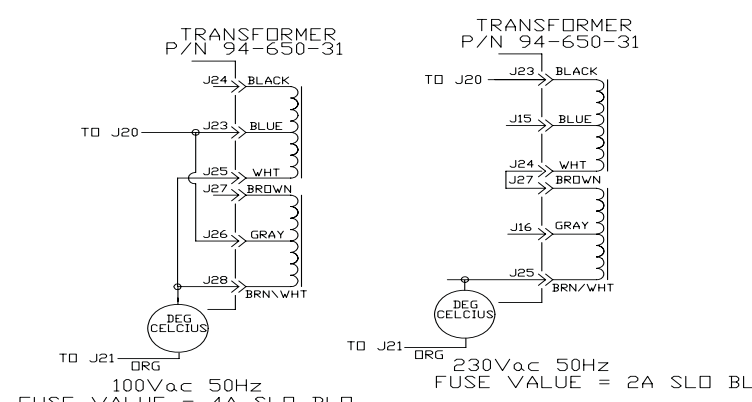
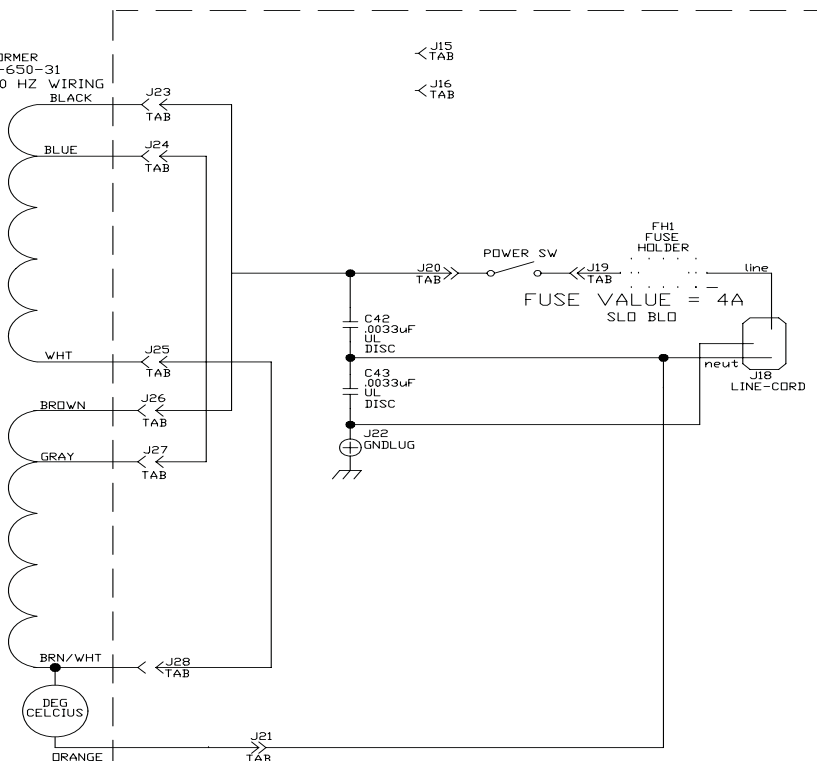
REV	DATE	BY	CHK'D	DESCRIPTION
③	10/16/97	SWR		CHANGED P/N FOR TABS J39 thru J44 ON PICT. SCHEMATIC NOT AFFECTED. PER ECO #970614.
②	08/27/97	SWR		SILKSCREEN CHANGED SCHEMATIC WAS NOT AFFECTED. PER ECO #970475.
①	06/24/97	SWR		CHANGED VALUE OF R70. REDONE IN AUTOCAD. PER ECO #970356.

SIGNATURES:		DATE:		1880 BORMAN DR. ST. LOUIS, MISSOURI 63146
DRAWN: REM		3/5/97		
CHK'D: OK		3/5/97		PROJECT NAME:
APP'D: OK		3/5/97		B-15
ORIGINAL ISSUED:		3/5/97		DRAWING NAME:
PLOT DATE:		11/18/98		SCHMATIC DRAWING
PLOT TIME:		08:35:24		DRAWING NO. 07S267-01
FILE NAME:		26701H4_		REV 4_
SCALE: 1:1		SHEET: 1 OF 2		

NOTES:
 1) CAUTION: SHOCK HAZARD!! THIS UNIT CONTAINS HAZARDOUS VOLTAGE. DISCONNECT POWER AND BE SURE POWER SUPPLY IS DISCHARGED BEFORE TOUCHING INTERNAL PARTS.
 2) UNLESS NOTED, RESISTOR VALUES IN OHMS, 1/4W-5% TOL. CAPACITOR VALUES IN MICROFARADS, 50V-10% TOL.
 3) VOLTAGES ARE MEASURED WITH 1 MEGOHM OSCILLOSCOPE AND 10 MEGOHM DIGITAL VOLTMETER.



PARTS ON PRIMARY TERMINATION BOARD




EXPORT WIRING

CAUTION: THIS SCHEMATIC IS PROVIDED FOR USE BY QUALIFIED PERSONNEL. TO AVOID RISK OF ELECTRIC SHOCK, REFER SERVICING TO QUALIFIED SERVICE PERSONNEL. DO NOT PERFORM ANY SERVICING BEYOND THAT EXPLAINED IN THE OPERATING INSTRUCTIONS.

NOTES:
 1) CAUTION: SHOCK HAZARD!! THIS UNIT CONTAINS HAZARDOUS VOLTAGE. DISCONNECT POWER AND BE SURE POWER SUPPLY IS DISCHARGED BEFORE TOUCHING INTERNAL PARTS.
 2) UNLESS NOTED, RESISTOR VALUES IN OHMS, 1/4W-5% TOL. CAPACITOR VALUES IN MICROFARADS, 50V-10% TOL.
 3) VOLTAGES ARE MEASURED WITH 1 MEGOHM OSCILLOSCOPE AND 10 MEGOHM DIGITAL VOLTMETER.
 4) TEST POINT CONDITIONS: 120V 60HZ LINE VOLTAGE, PWR SW IN 100W POSITION DC VOLTAGES MEASURED WITH NO SIGNAL APPLIED. 6L6 OUTPUT TUBES INSTALLED, SWS IN 6L6 POSITION, ALL CONTROLS @ '5' EXCEPT MASTER & BAL OUT @ '10'. ULTRAHI & ULTRALO TO BE 'OFF'.

SEE SHEET 1 OF 2 FOR REVISION HISTORY

SIGNATURES:		DATE:		11880 BORMAN DR. ST. LOUIS, MISSOURI 63146
DRAWN:	REM	3/5/97		
CHK'D:	OK	3/5/97	PROJECT NAME: B-15	
APP'D:	OK	3/5/97	DRAWING NAME: SCHEMATIC DRAWING	
ORIGINAL ISSUED:		3/5/97	DRAWING NO. 07S267-01 REV 4	
PLOT DATE:		11/18/98	SCALE: 1:1 SHEET: 2 OF 2	
PLOT TIME:		08:35:24		
FILE NAME:		26701H4_		