

LOGO ENLARGED VIEW
TOLEX PLACEMENT

NOTE:
1) CLOTH SIDE UP
2) GLUE TO INSIDE OF CHASSIS
3) TOLEX CENTERED ON SLOT

NOTE:
SEE PAGE 3 FOR
FUSE/ FUSECAP
USAGE

NOTE:
FRNT RUBBER STRIPS
6.75" EA. LOGO FITS
BETWEEN THEM

NOTE:
CAGE MOUNTED
OVER TUBES

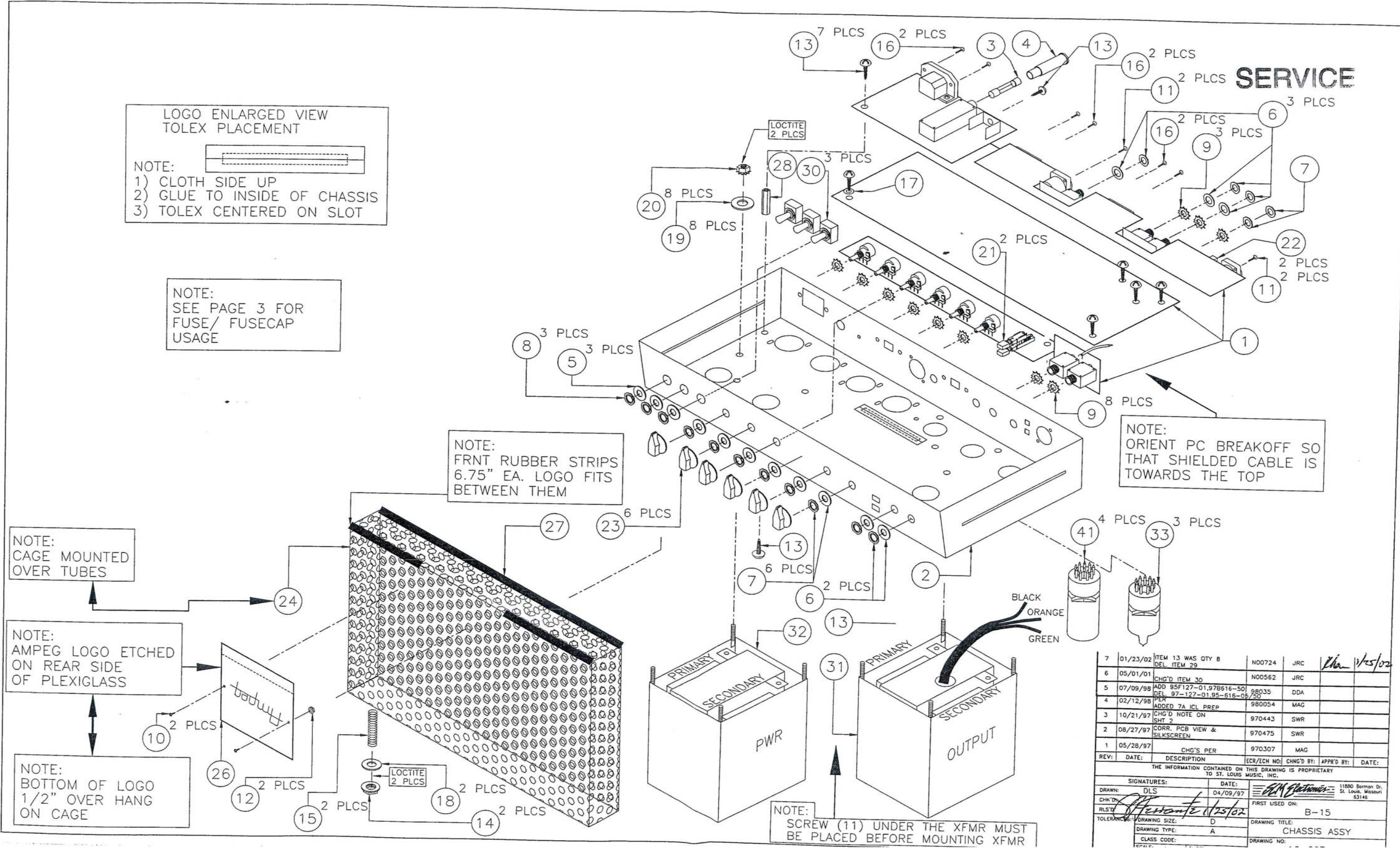
NOTE:
AMPEG LOGO ETCHED
ON REAR SIDE
OF PLEXIGLASS

NOTE:
BOTTOM OF LOGO
1/2" OVER HANG
ON CAGE

NOTE:
ORIENT PC BREAKOFF SO
THAT SHIELDED CABLE IS
TOWARDS THE TOP

NOTE:
SCREW (11) UNDER THE XFMR MUST
BE PLACED BEFORE MOUNTING XFMR

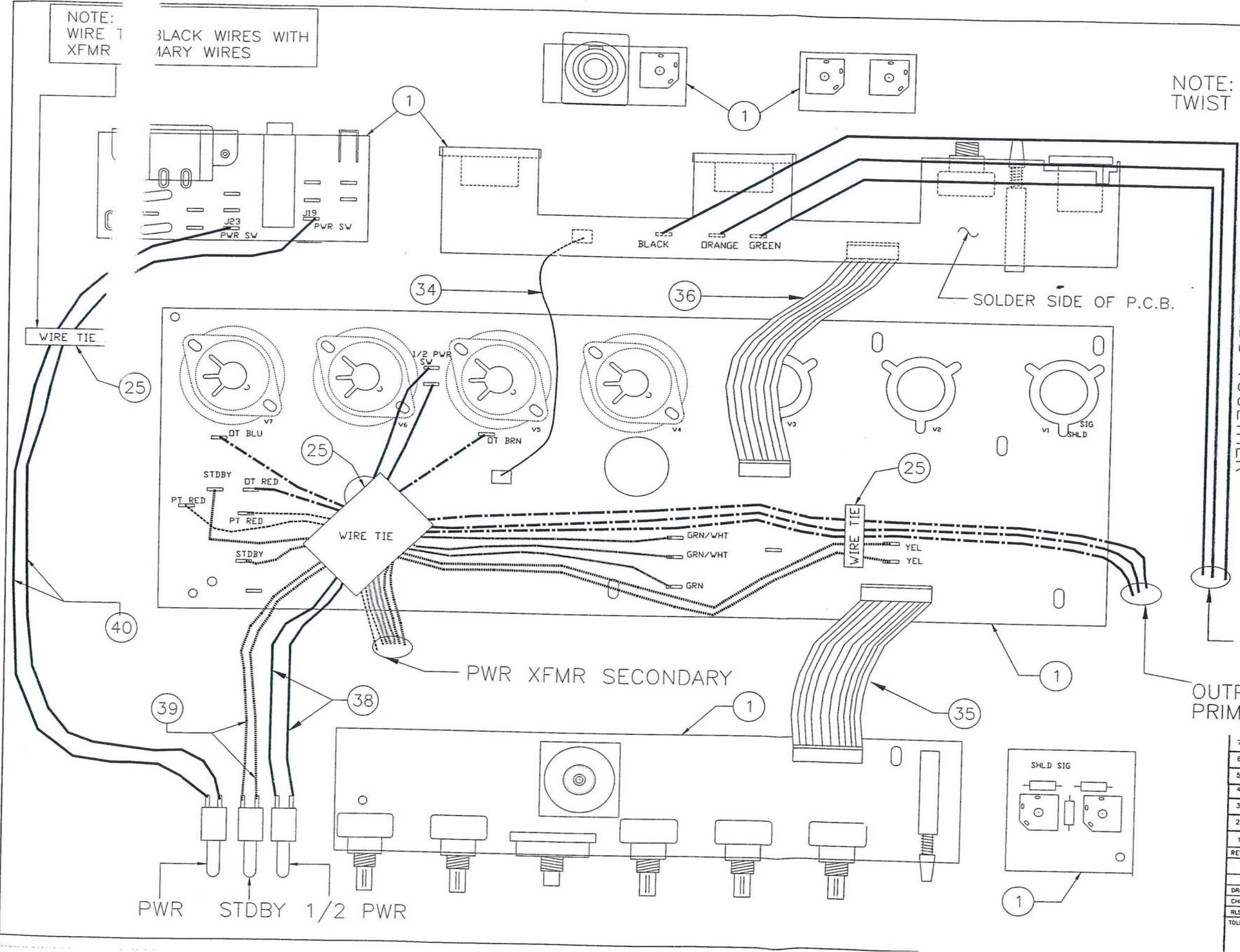
SERVICE



7	01/23/02	ITEM 13 WAS QTY 8 DEL. ITEM 29	N00724	JRC	<i>Ch</i>	1/25/02
6	05/01/01	CHG'D ITEM 30	N00562	JRC		
5	07/09/98	ADD 95F127-01,97B616-50 DEL 97-127-01,95-616-05	98035	DDA		
4	02/12/98	PERM ADDED 7A ICL PREP	980054	MAG		
3	10/21/97	CHG'D NOTE ON SHT 2	970443	SWR		
2	08/27/97	CORR. PCB VIEW & SILKSCREEN	970475	SWR		
1	05/28/97	CHG'S PER	970307	MAG		
REV:	DATE:	DESCRIPTION	ECR/ECH NO:	CHNG'D BY:	APPR'D BY:	DATE:
THE INFORMATION CONTAINED ON THIS DRAWING IS PROPRIETARY TO ST. LOUIS MUSIC, INC.						
SIGNATURES:		DATE:		11880 Berman Dr. St. Louis, Missouri 63146		
DRAWN:	DLS	04/09/97	FIRST USED ON:		B-15	
CHK'D:	<i>Stevenson</i>	02/25/02	DRAWING TITLE:		CHASSIS ASSY	
TOLERANCES:	DRAWING SIZE:	D	DRAWING NO.:			
	CLASS CODE:	A	DRAWING NO.:			

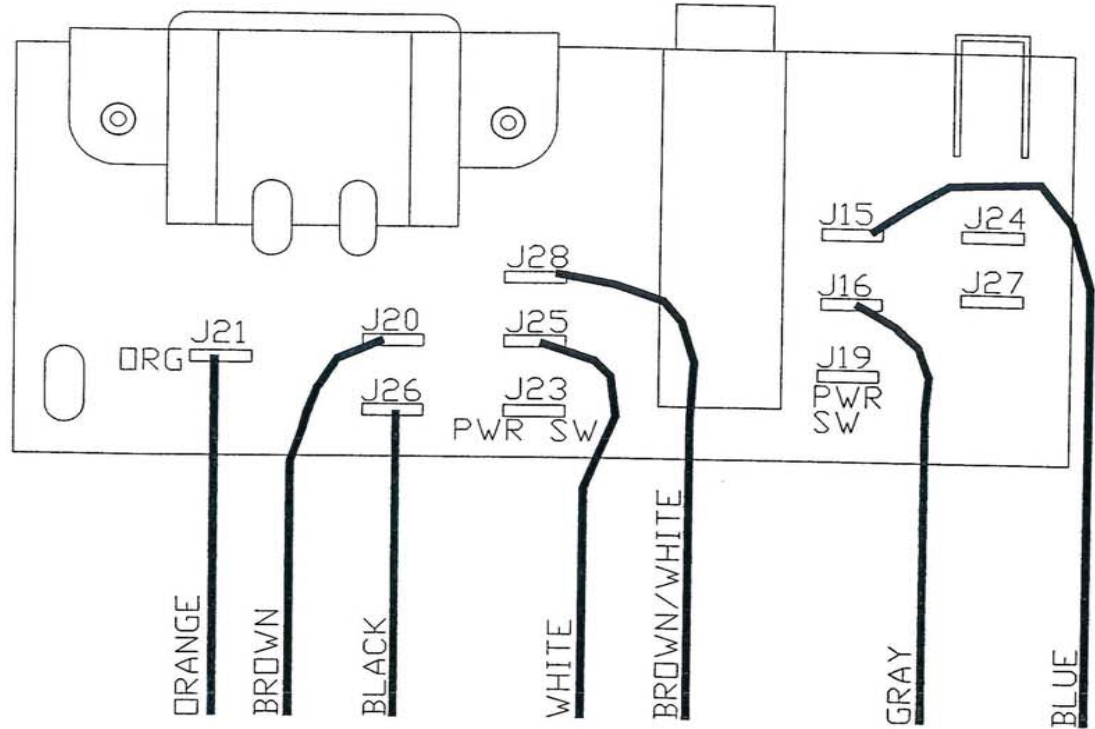
SERVICE

NOTE: TWIST ALL LEADS



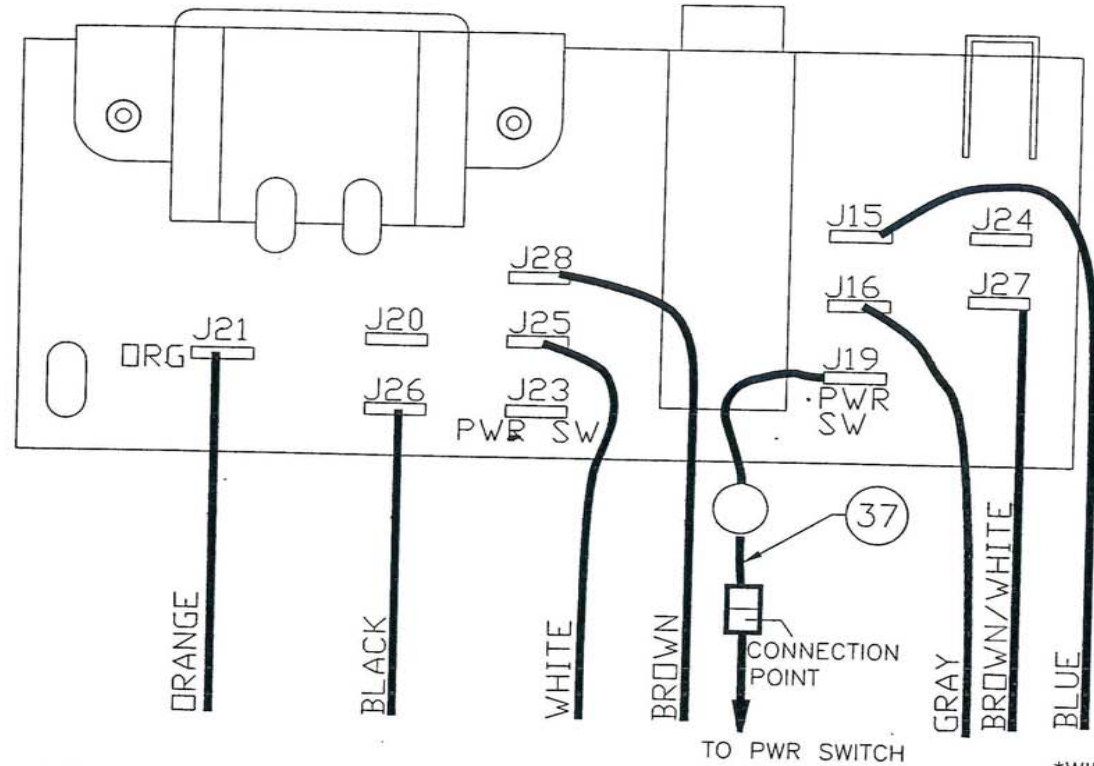
7	01/23/02	ITEM 13 WAS QTY 8 DEL. ITEM 29	N00724	JRC	
6	05/01/01	CHG'D ITEM 30	N00562	JRC	
5	07/08/98	ADD 95F127-01,97B616-50 DEL. 97-127-01,95-616-05	98035	DDA	
4	02/12/98	PER ADDED 7A ICL PREP	980054	MAG	
3	10/21/97	CHG'D NOTE ON SHT 2	970443	SWR	
2	08/27/97	CORR. PCB VIEW & SILKSCREEN	970475	SWR	
1	05/28/97	CHG'S PER	970307	MAG	
REV:	DATE:	DESCRIPTION	ECR/ECN NO:	CHNG'D BY:	APPR'D BY: DATE:
THE INFORMATION CONTAINED ON THIS DRAWING IS PROPRIETARY TO ST. LOUIS MUSIC, INC.					
SIGNATURES:		DATE:		11880 Borman Dr. St. Louis, Missouri 63148	
DRAWN: BLS		04/09/97		FIRST USED ON:	
CHK'D:				B-15	
RLS'D:				CHASSIS ASSY	
TOLERANCES:		DRAWING SIZE: D		DRAWING TITLE:	
		DRAWING TYPE: A		DRAWING NO:	
		CLASS CODE:			

23-305-04 4A SB 3AG FUSE
23-346-11 FUSE CAP



120V 50/60Hz DOMESTIC WIRING DIAGRAM

23-520-05 2A/250V IEC127 SB
23-346-12 FUSE HOLDER CAP

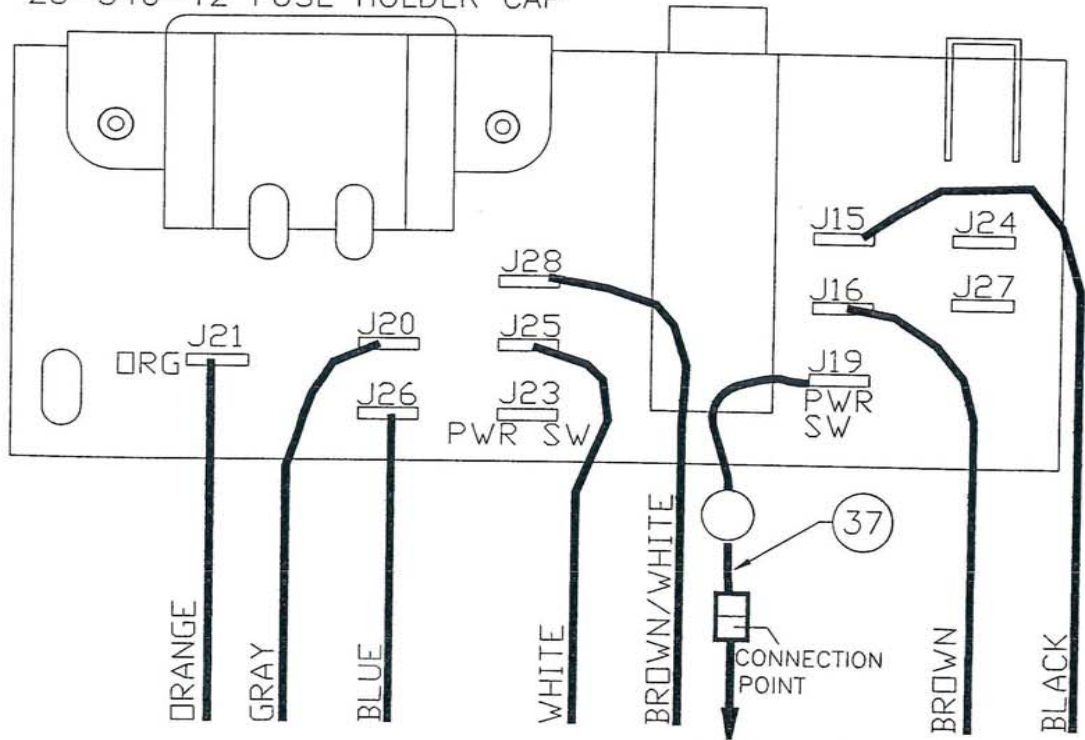


230V 50/60Hz WORLD EXPORT WIRING DIAGRAM

SERVICE

*WIRE TIE ICL PREP TO XFMR SEC LEADS

23-520-05 4A/250V IEC127
23-346-12 FUSE HOLDER CAP

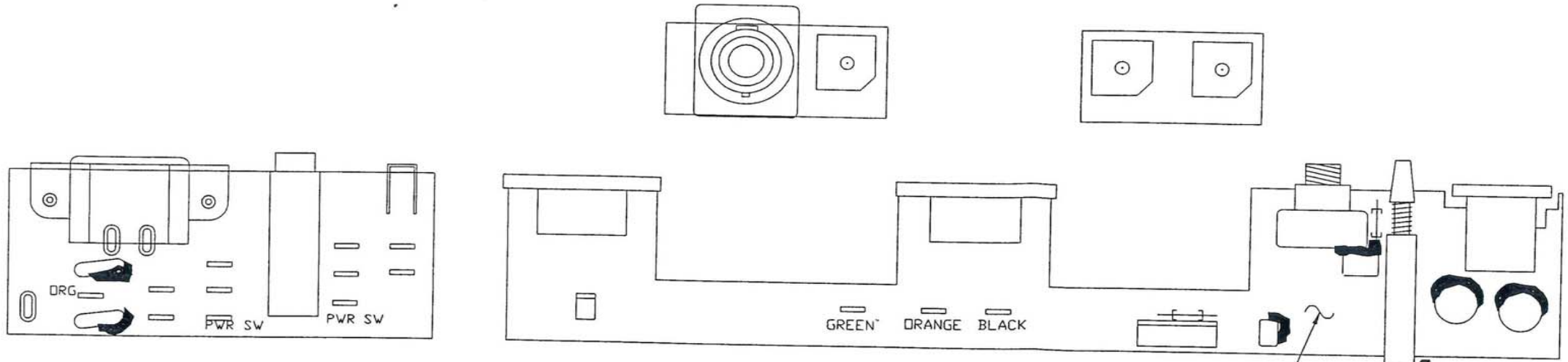


100V 50/60Hz JAPAN EXPORT WIRING DIAGRAM

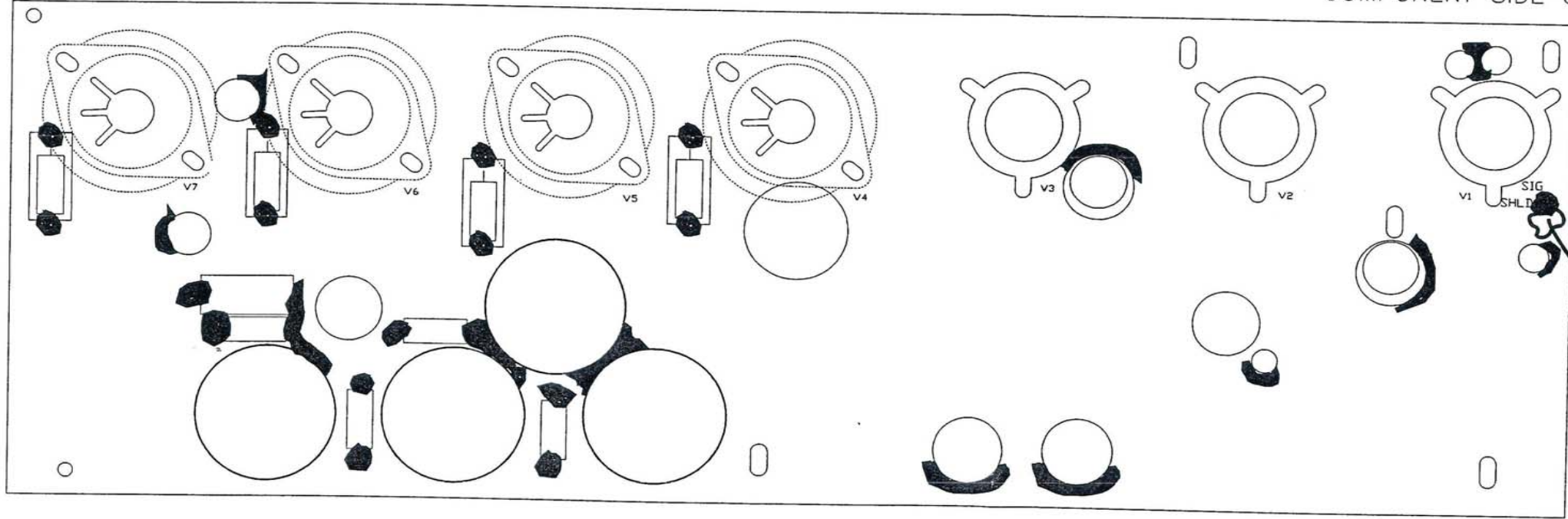
*WIRE TIE ICL PREP TO XFMR SEC LEADS

7	01/23/02	ITEM 13 WAS QTY 8 DEL. ITEM 29	N00724	JRC	
6	05/01/01	CHG'D ITEM 30	N00562	JRC	
5	07/09/98	ADD 95F127-01.97B616-50 DEL 97-127-01.95-616-05/50	98035	DDA	
4	02/12/98	PER ADDED 7A ICL PREP	980054	MAG	
3	10/21/97	CHG'D NOTE ON SHT 2	970443	SWR	
2	08/27/97	CORR. PCB VIEW & SILKSCREEN	970475	SWR	
1	05/28/97	CHG'S PER	970307	MAG	
REV:	DATE:	DESCRIPTION	ECR/ECH NO:	CHNG'D BY:	APPR'D BY: DATE:
THE INFORMATION CONTAINED ON THIS DRAWING IS PROPRIETARY TO ST. LOUIS MUSIC, INC.					
SIGNATURES:		DATE:			
DRAWN:	DL	04/09/97	11880 Barron Dr. St. Louis, Missouri 63146		
CHK'D:			FIRST USED ON:		
RLS'D:			B-15		
TOLERANCES:	DRAWING SIZE:	D	DRAWING TITLE:		
	DRAWING TYPE:	A	CHASSIS ASSY		
	CLASS CODE:		DRAWING NO:		

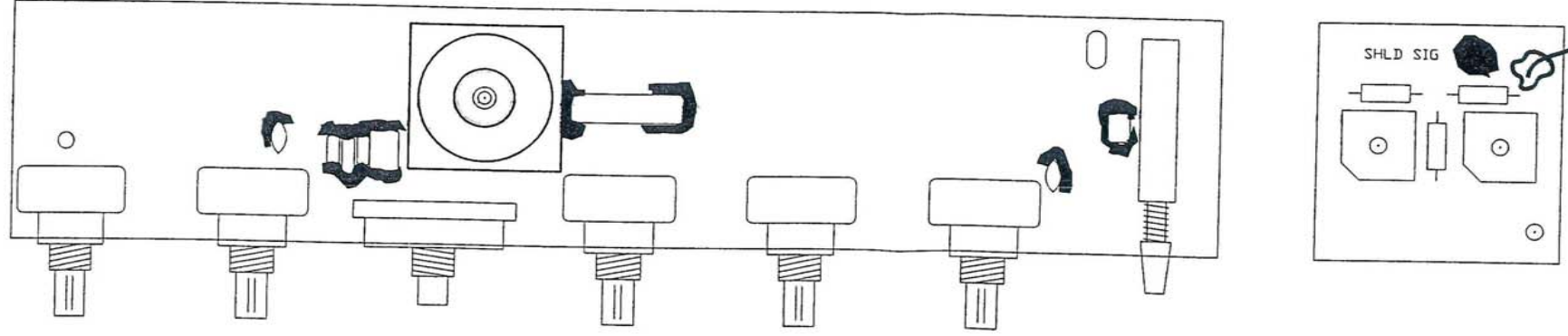
SERVICE



COMPONENT SIDE OF P.C.B.



GOOP WIRE ENDS AT BOARD SURFACE.



WIRE COMES OUT THE OUTSIDE

7	01/23/02	ITEM 13 WAS QTY 8 DEL ITEM 29	N00724	JRC	
6	05/01/01	CHG'D ITEM 30	N00562	JRC	
5	07/09/98	ADD 95F127-01.978616-50 DEL 97-127-01.95-616-05/50	98035	DDA	
4	02/12/98	PER ADDED 7A ICL PREP	980054	MAG	
3	10/21/97	CHG'D NOTE ON SHT 2	970443	SWR	
2	08/27/97	CORR PCB VIEW & SILKSCREEN	970475	SWR	
1	05/28/97	CHG'S PER	970307	MAG	
REV:	DATE:	DESCRIPTION	ECR/ECN NO:	CHG'D BY:	APPR'D BY: DATE:
THE INFORMATION CONTAINED ON THIS DRAWING IS PROPRIETARY TO ST. LOUIS MUSIC, INC.					
SIGNATURES:		DATE:	11880 Borman Dr. St. Louis, Missouri 63146		
DRAWN:	DL	04/09/97			
CHK'D:					
RLS'D:			FIRST USED ON:	B-15	
TOLERANCES:	DRAWING SIZE:	D	DRAWING TITLE:		
	DRAWING TYPE:	A	CHASSIS ASSY		
	CLASS CODE:		DRAWING NO:		