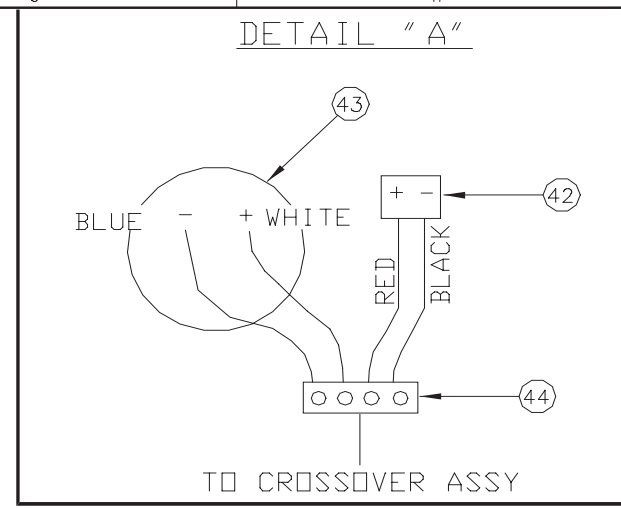


6	11/12/03	MARK-UP CHG'D DWG. PER	NO1298	JRC		
5	02/04/00	CHG'D DWG PER 990014 990017,990019	990021	MAG		
4	07/20/98	CHG'D DWG PER 980174	980320	RAS		
3	10/14/97	ADDED 47-667-20 47-900-03	970625	DLS		
2	10/01/97	CHG'D SCREW AND PKG	970563	DLS		
1	07/22/97	CHG'D HARDWARE, ADDED HANGTAG PER 970402	970409	DLS		
0	05/30/97	CONTROL ISSUE		DLS		
REV:	DATE:	DESCRIPTION	ECR/ECN NO:	CHNG'D BY:	APPR'D BY:	DATE:
THE INFORMATION CONTAINED ON THIS DRAWING IS PROPRIETARY TO ST. LOUIS MUSIC, INC.						
SIGNATURES:		DATE:				
DRAWN:	DLS	05/14/97				
CHK'D:	OK	05/30/97	FIRST USED ON:			
RLS'D:	OK	05/30/97				
TOLERANCES:	DRAWING SIZE:	D	DRAWING TITLE:			
	DRAWING TYPE:	AY	BASS COMBO AMP			
	CLASS CODE:		DRAWING NO:			
	SCALE:	NA	00-317-XX			
	SHEET:	1	OF	3		

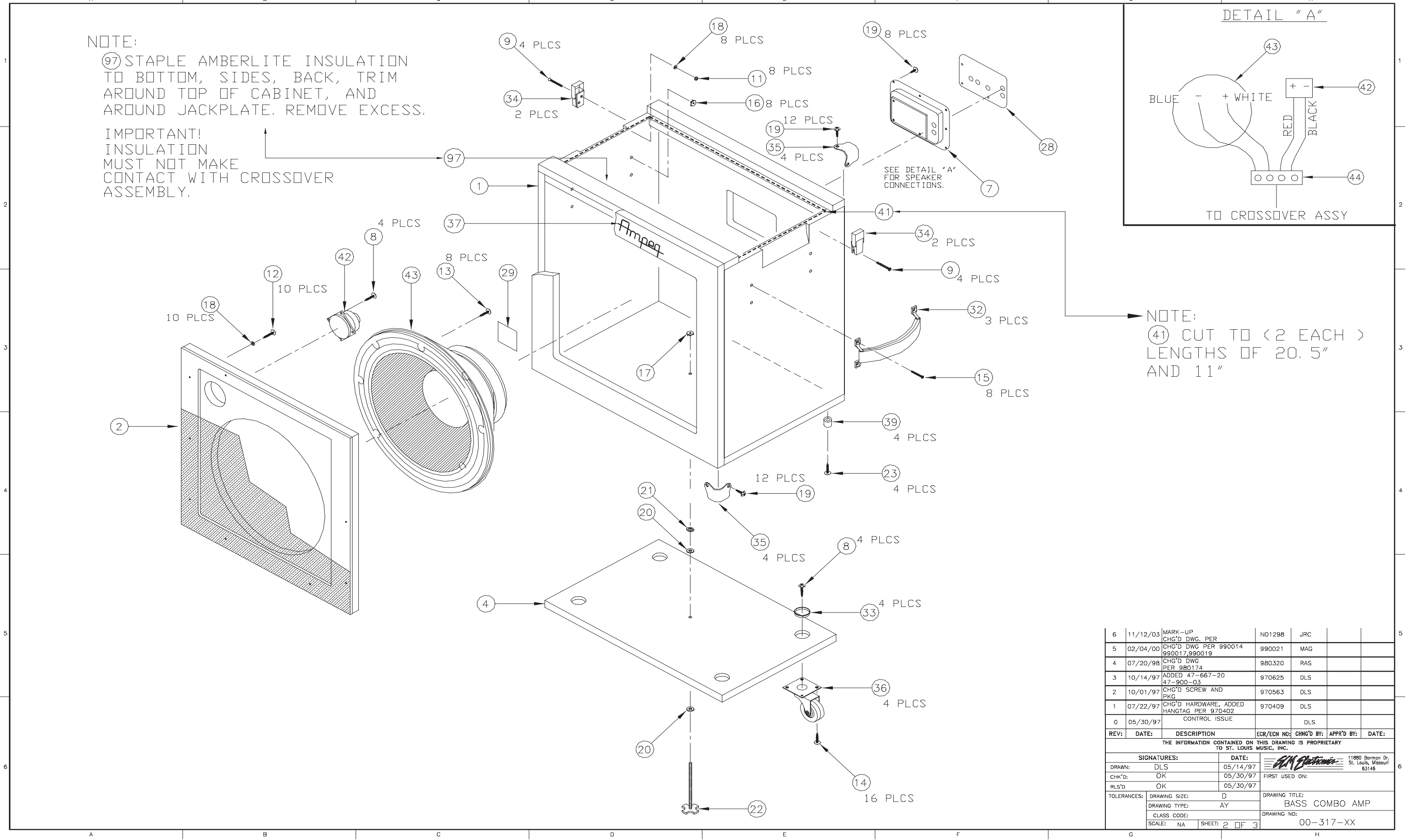
NOTE:

⑨7 STAPLE AMBERLITE INSULATION TO BOTTOM, SIDES, BACK, TRIM AROUND TOP OF CABINET, AND AROUND JACKPLATE. REMOVE EXCESS.

IMPORTANT!  
INSULATION MUST NOT MAKE CONTACT WITH CROSSOVER ASSEMBLY.



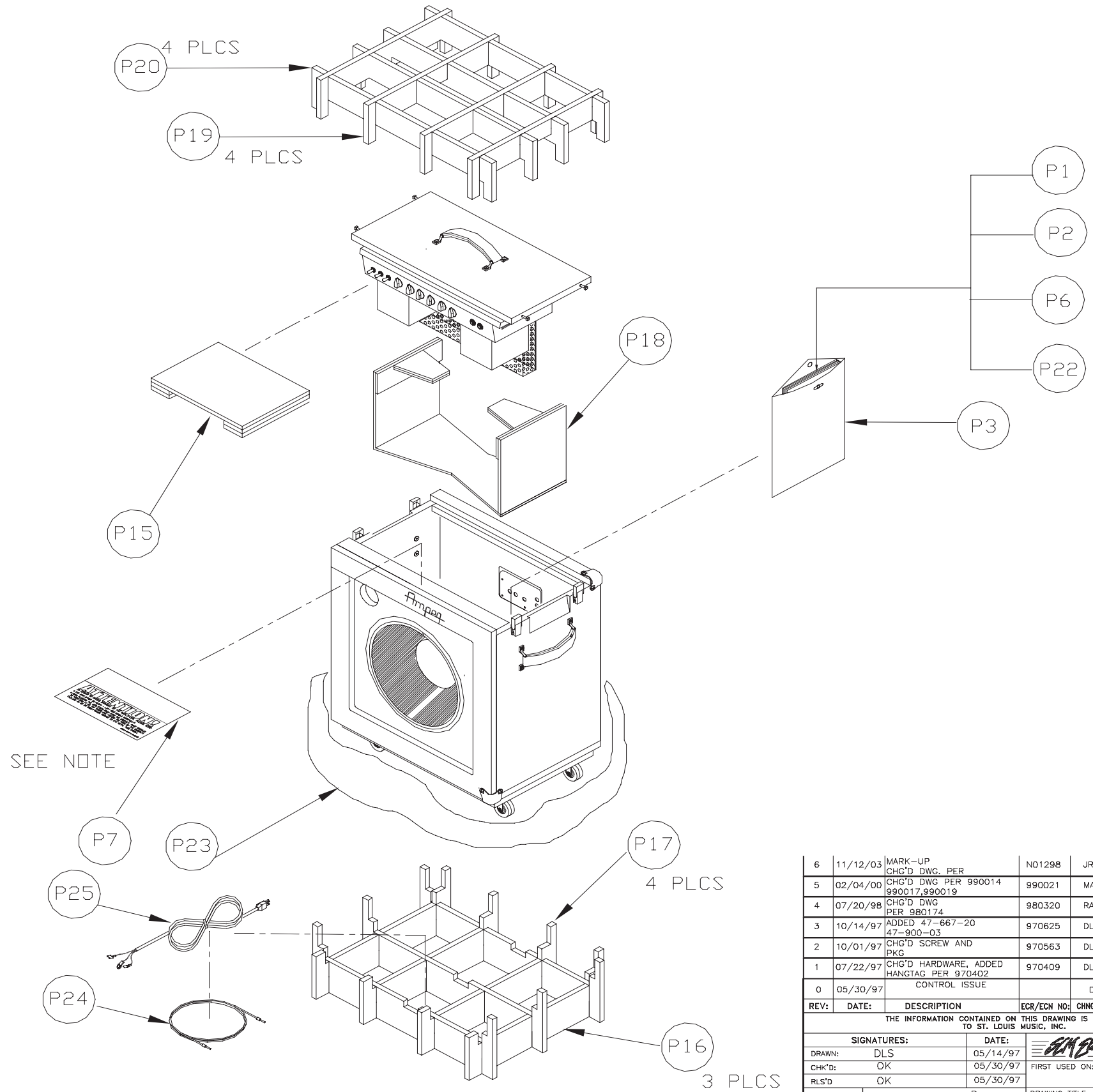
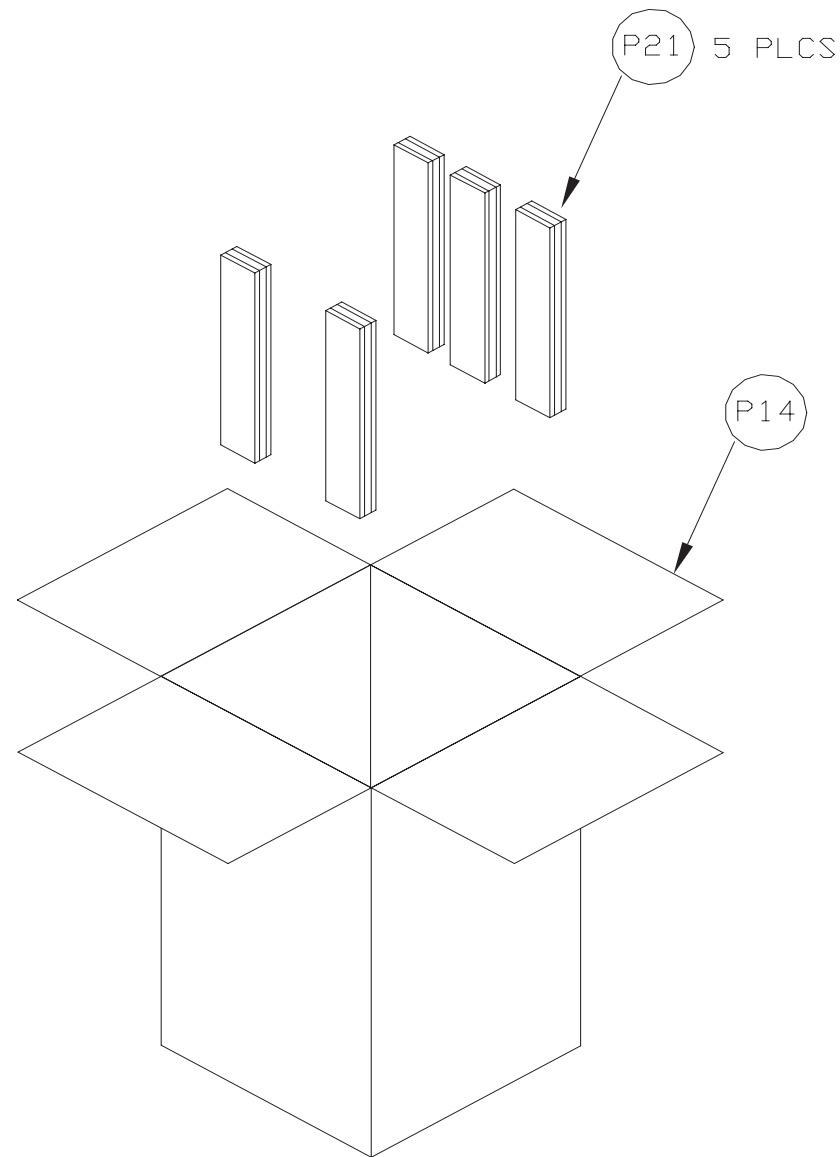
NOTE:  
④1 CUT TO ( 2 EACH ) LENGTHS OF 20.5" AND 11"



6	11/12/03	MARK-UP CHG'D DWG. PER	N01298	JRC		
5	02/04/00	CHG'D DWG PER 990014 990017,990019	990021	MAG		
4	07/20/98	CHG'D DWG PER 980174	980320	RAS		
3	10/14/97	ADDED 47-667-20 47-900-03	970625	DLS		
2	10/01/97	CHG'D SCREW AND PKG	970563	DLS		
1	07/22/97	CHG'D HARDWARE, ADDED HANGTAG PER 970402	970409	DLS		
0	05/30/97	CONTROL ISSUE		DLS		
REV:	DATE:	DESCRIPTION	ECR/ECN NO:	CHNG'D BY:	APPR'D BY:	DATE:
THE INFORMATION CONTAINED ON THIS DRAWING IS PROPRIETARY TO ST. LOUIS MUSIC, INC.						
SIGNATURES:		DATE:				
DRAWN:	DLS	05/14/97	11880 Borman Dr. St. Louis, Missouri 63146			
CHK'D:	OK	05/30/97	FIRST USED ON:			
RLS'D:	OK	05/30/97				
TOLERANCES:	DRAWING SIZE:	D	DRAWING TITLE:			
	DRAWING TYPE:	AY	BASS COMBO AMP			
	CLASS CODE:		DRAWING NO:			
	SCALE:	NA	00-317-XX			
	SHEET:	2 OF 3				

NOTE:

PLACE WARNING TAB BETWEEN HEAD ASSEMBLY & CABINET ASSEMBLY TO HOLD IT IN PLACE - MAKING SURE THE TAB IS CLEARLY VISIBLE.



6	11/12/03	MARK-UP CHG'D DWG. PER	N01298	JRC	
5	02/04/00	CHG'D DWG PER 990014 990017,990019	990021	MAG	
4	07/20/98	CHG'D DWG PER 980174	980320	RAS	
3	10/14/97	ADDED 47-667-20 47-900-03	970625	DLS	
2	10/01/97	CHG'D SCREW AND PKG	970563	DLS	
1	07/22/97	CHG'D HARDWARE, ADDED HANGTAG PER 970402	970409	DLS	
0	05/30/97	CONTROL ISSUE		DLS	
REV:	DATE:	DESCRIPTION	ECR/ECN NO:	CHNG'D BY:	APPR'D BY: DATE:
THE INFORMATION CONTAINED ON THIS DRAWING IS PROPRIETARY TO ST. LOUIS MUSIC, INC.					
SIGNATURES:		DATE:			
DRAWN:	DLS	05/14/97	 11880 Borman Dr. St. Louis, Missouri 63146		
CHK'D:	OK	05/30/97			
RLS'D:	OK	05/30/97	FIRST USED ON:		
TOLERANCES:	DRAWING SIZE:	D	DRAWING TITLE:		
	DRAWING TYPE:	AY	BASS COMBO AMP		
	CLASS CODE:		DRAWING NO:		
	SCALE:	NA	00-317-XX		
	SHEET:	3 OF 3			