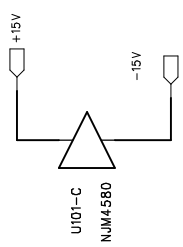
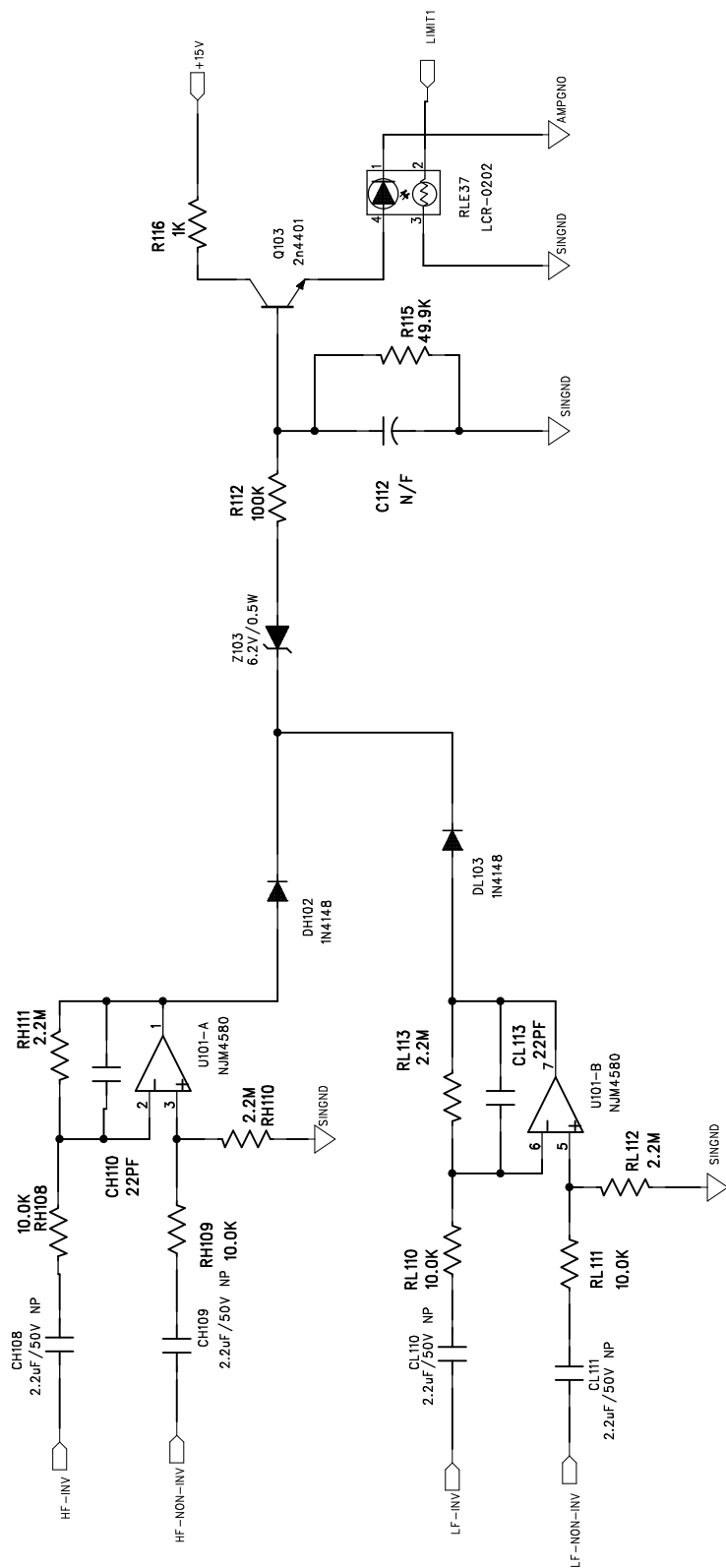
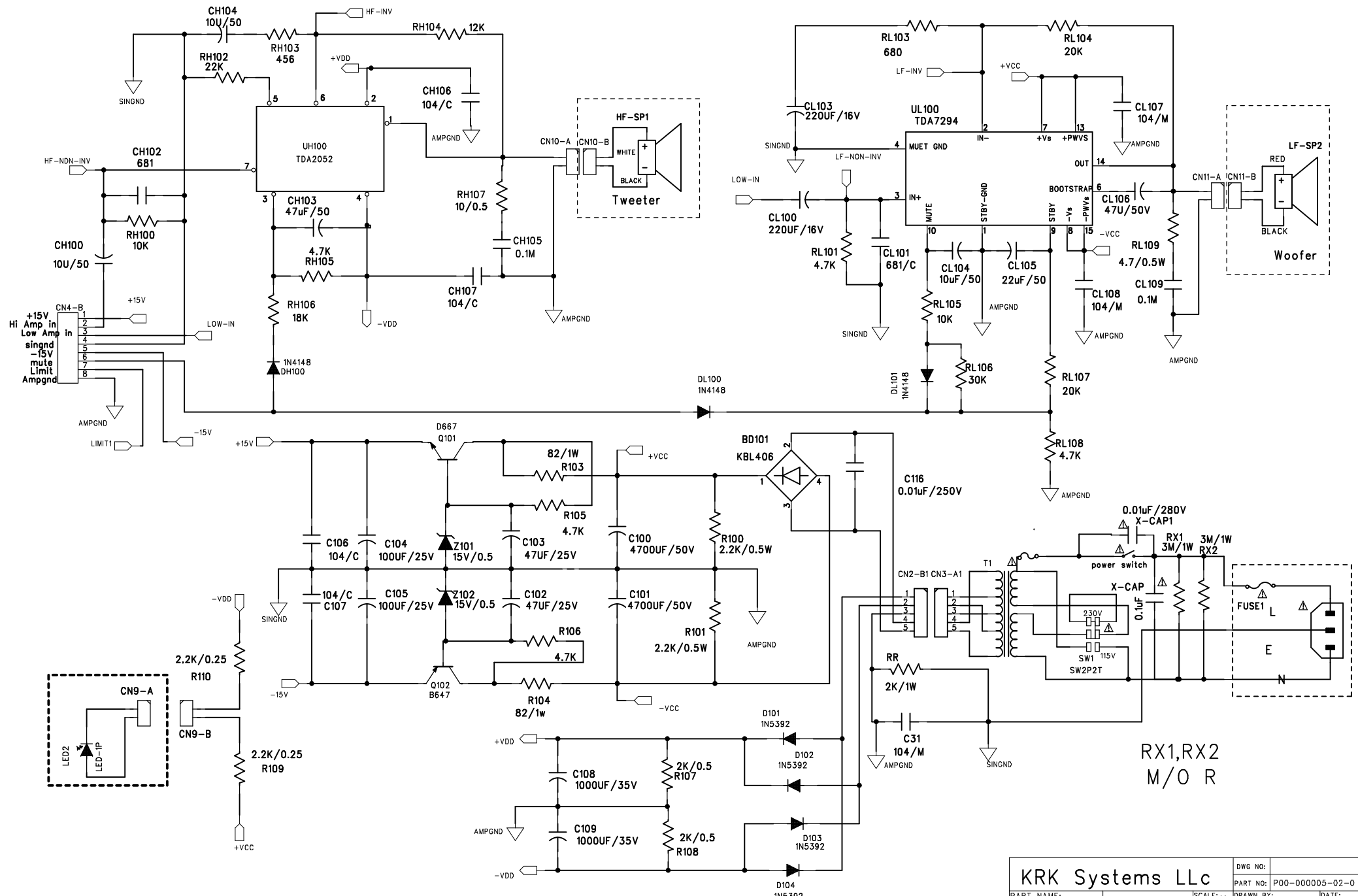


Note:1. if there is no any special requirement, the RES is +/-1%,1/6W w/ metal film.
 2.capacitors related the signal path is 5% Polyester or metalized Polyester.

KRK Systems LLC		DWG NO:	01-0
PART NAME:		PART NO:	P00-00004-01-0
SCALE: 1:1		DRAWN BY:	DATE:
UNIT: MM		CHECKED BY:	DATE:
SIZE: A4		APPROVED BY:	DATE:
PRODUCT CODE:		REV. 6.0	PAGE: 1/3
RP8_pre			



KRK Systems LLC		DWG NO:	P00-000005-02-0
PART NAME:	LIMITER	PART NO:	
PRODUCT MODE:	RP8_omp	SCALE: 1:1	DATE:
		UNIT: MM	CHECKED BY:
		SIZE: A4	APPROVED BY:
		REV: 6.0	PAGE: 2/3



KRK Systems LLC		DWG NO:	
PART NAME:		PART NO:	P00-000005-02-0
PRODUCT MODE:	RP8_amp	SCALE: 1:1	DRAWN BY:
		UNIT: MM	CHECKED BY:
		SIZE: A4	APPROVED BY:
		REV: 6.0	DATE:
			PAGE: 3/3