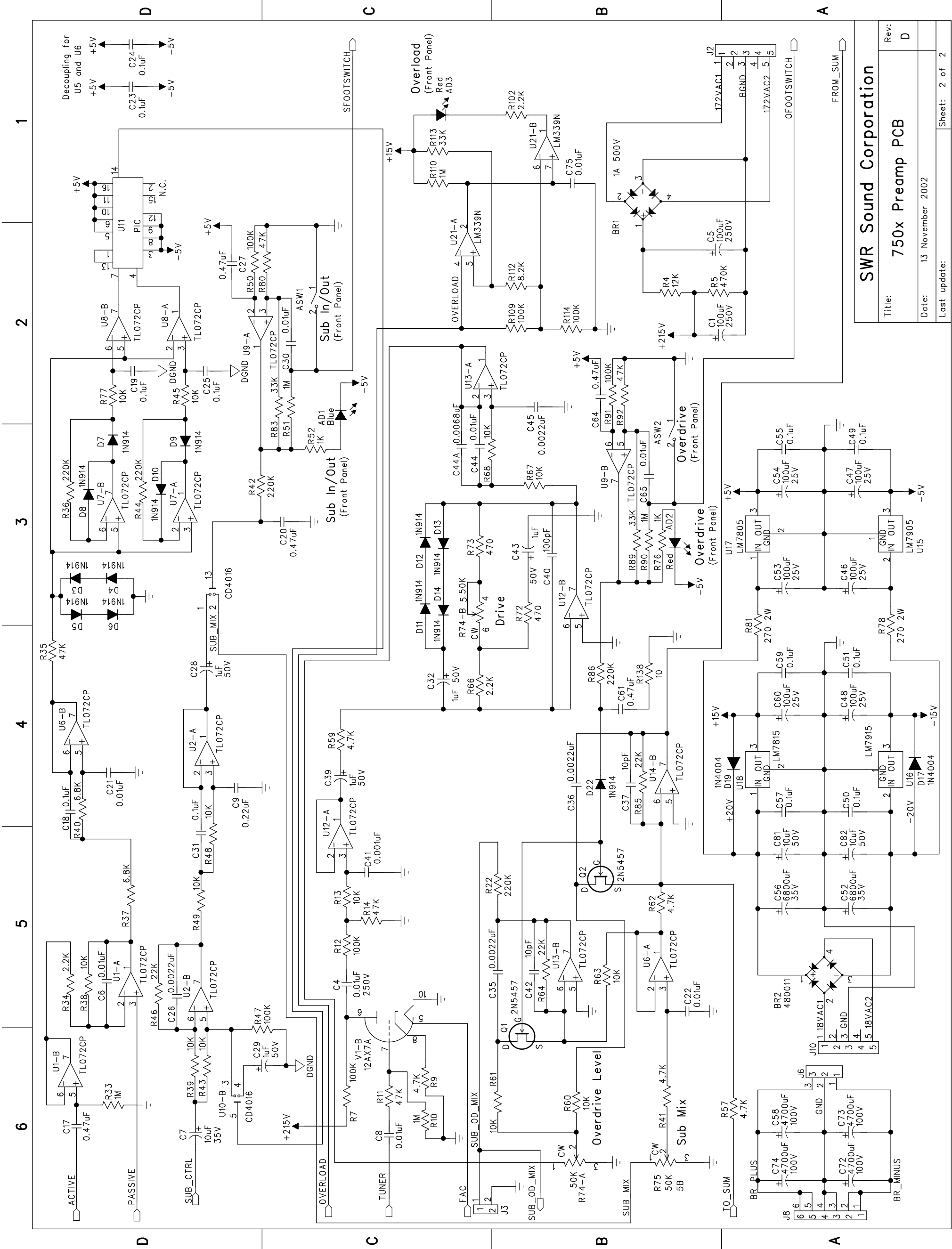


Please note:
 1.> Unless otherwise noted, all resistors are 1/4 Watt, 5%.
 2.> An "A" reference designator prefix denotes a location other than on the PCB.

PCB - 170051 Rev C1 - Final
 Assembly - 700069

SWR Sound Corporation	
Title: 750x Preamp PCB	Rev: D
Date: 13 November 2002	
Last update:	Sheet: 1 of 2



SWR Sound Corporation
 Title: 750x Preamp PCB
 Date: 13 November 2002
 Last update:
 Rev: D
 Sheet: 2 of 2