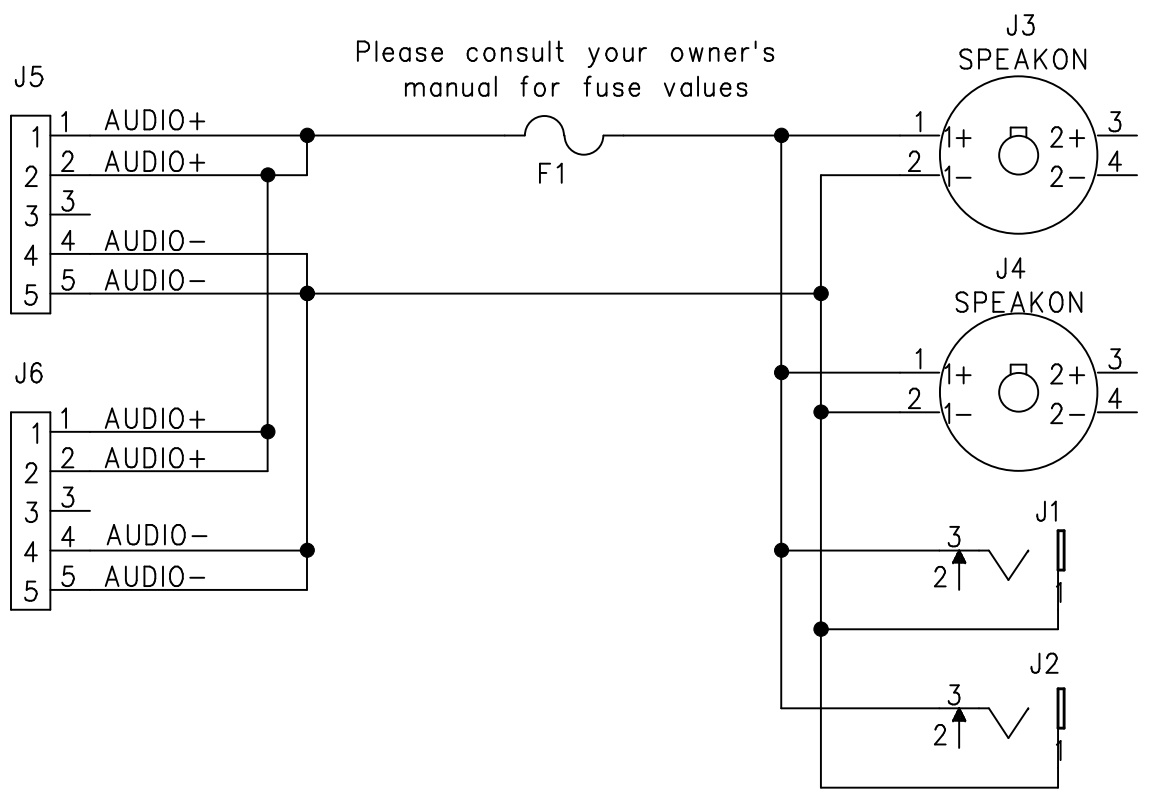


6                      5                      4                      3                      2                      1



PCB 170048A  
Assy 700066

<b>SWR Sound Corporation</b>	
Title:	Speaker Output PCB
Date:	19 June 2001
Last update:	26 February 2003
Sheet:	1 of 1
Rev:	A

D

C

B

A

D

C

B

A