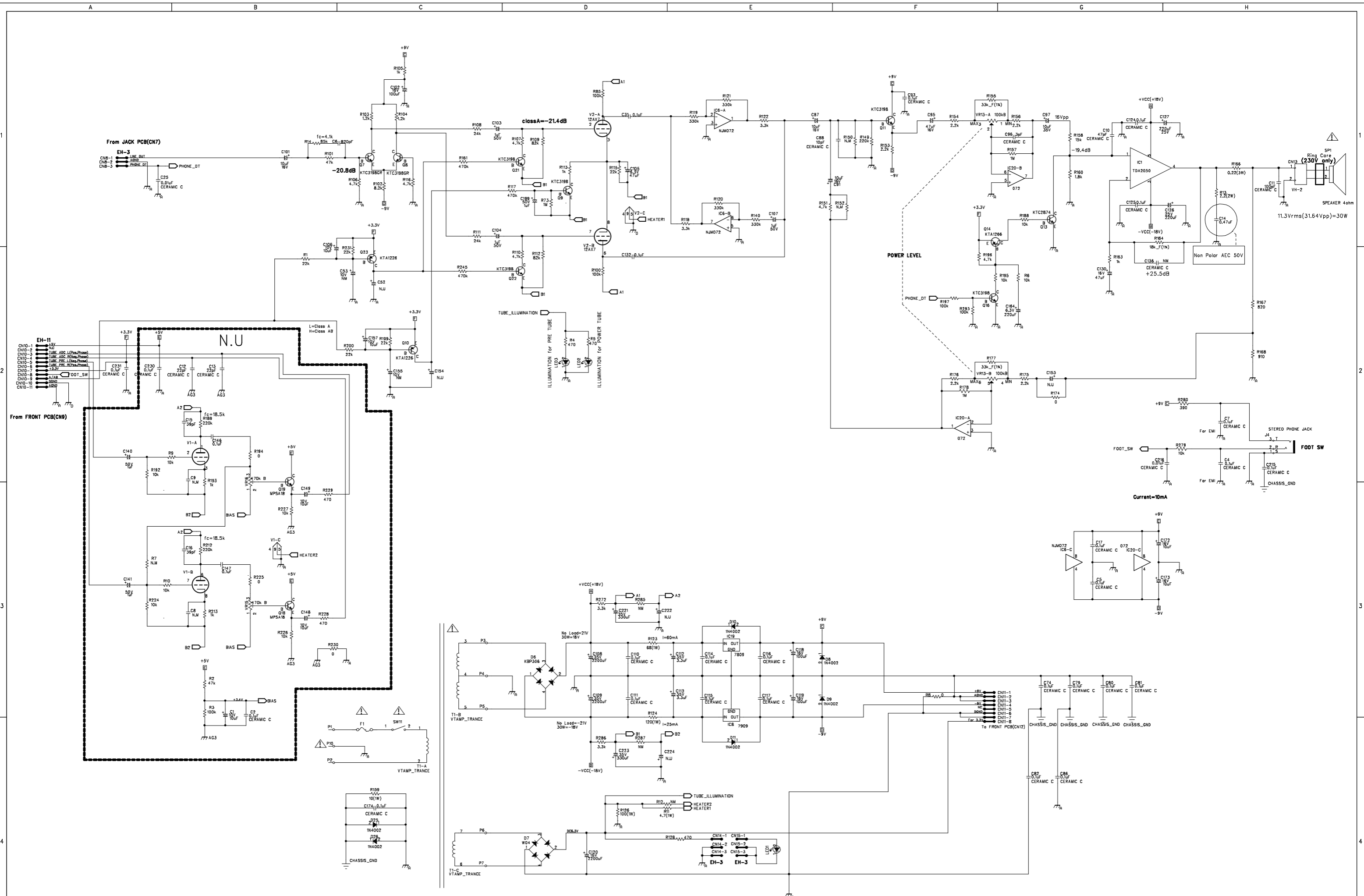


Table with 4 columns: MARK, REVISION REASON, DATE, REVISED BY.



MARK	REVISION REASON	DATE	REVISED BY

DRAWN BY	DESIGNED BY	CHECKED BY	MODEL	VT 30
Y.Shitani	M.Tohyama		TITLE	POWER CIRCUIT V1.0.0
KORG			DRAWING NO.	DATE
				2008.08.21