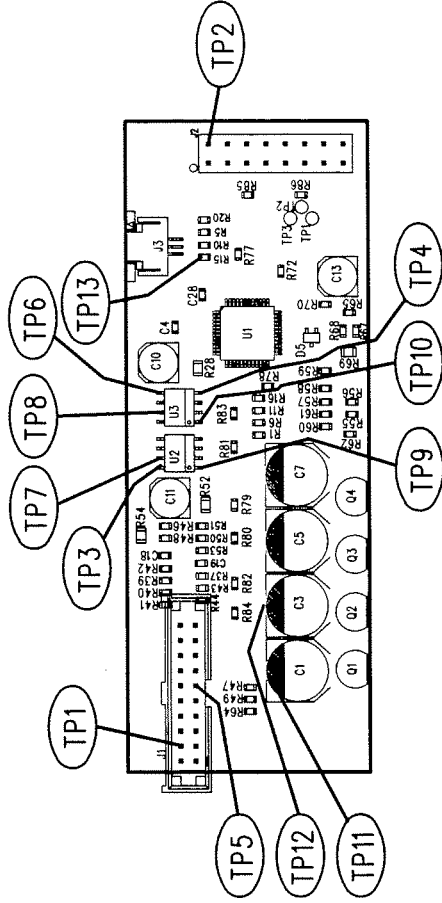


R E V I S I O N S

REV.	DESCRIPTION	DATE	APPROVED
A	PR 1178	16-AUG-10	dBL

** CAD DATABASE Z1178_BTM_ASSY.PCB IS FOR BOTTOM ASSEMBLY REFERENCE ONLY.



FILM/DWG: SERVICE DIAGRAM
 DATABASE: Z1178_BTM_ASSY.PCB DATE: 16-AUG-10

THIS DOCUMENT CONTAINS INFORMATION OF A PROPRIETARY NATURE TO FENDER MUSICAL INSTRUMENTS AND IS SUBMITTED TO YOU IN CONFIDENCE AND SHALL NOT BE DISCLOSED OR TRANSMITTED TO OTHERS WITHOUT AUTHORIZATION FROM FENDER MUSICAL INSTRUMENTS.

Fender
 MUSICAL INSTRUMENTS
 Corona, CA U.S.A.

TITLE: SERVICE DIAGRAM, COMBINED (PCB assy)
 AUTOMATIC BIAS 2-6 TUBE
 MICRO CONTROLLER PCB

SIZE: **A**
 DRAWING NUMBER: **0081425000**
 REV. **A**

CHECKED BY: *Blair*
 DATE: 15-DEC-10
 APPROVED BY: *dBL*
 DATE: 12/15/10
 DRAWN: D. LEWIS ENGR: D. LEWIS

DATABASE FILE: Z1178_BOT_ASSY.PCB **
 RELEASE DATE: 16-AUG-10 SHEET 2 OF 2

1. SEE SHEET 1 FOR TEST POINT VALUES AND LOCATIONS.
 NOTES: (UNLESS OTHERWISE NOTED)

