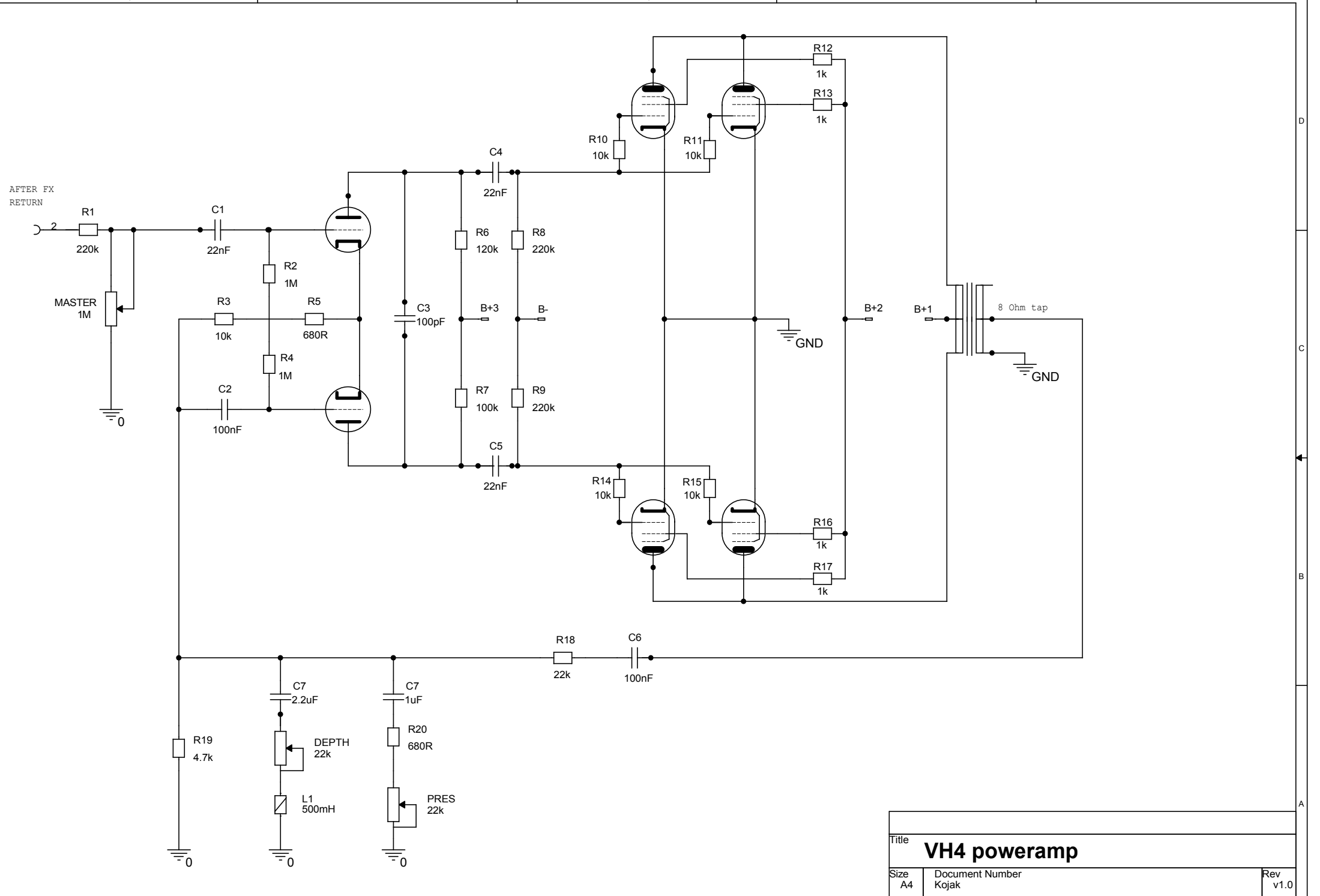
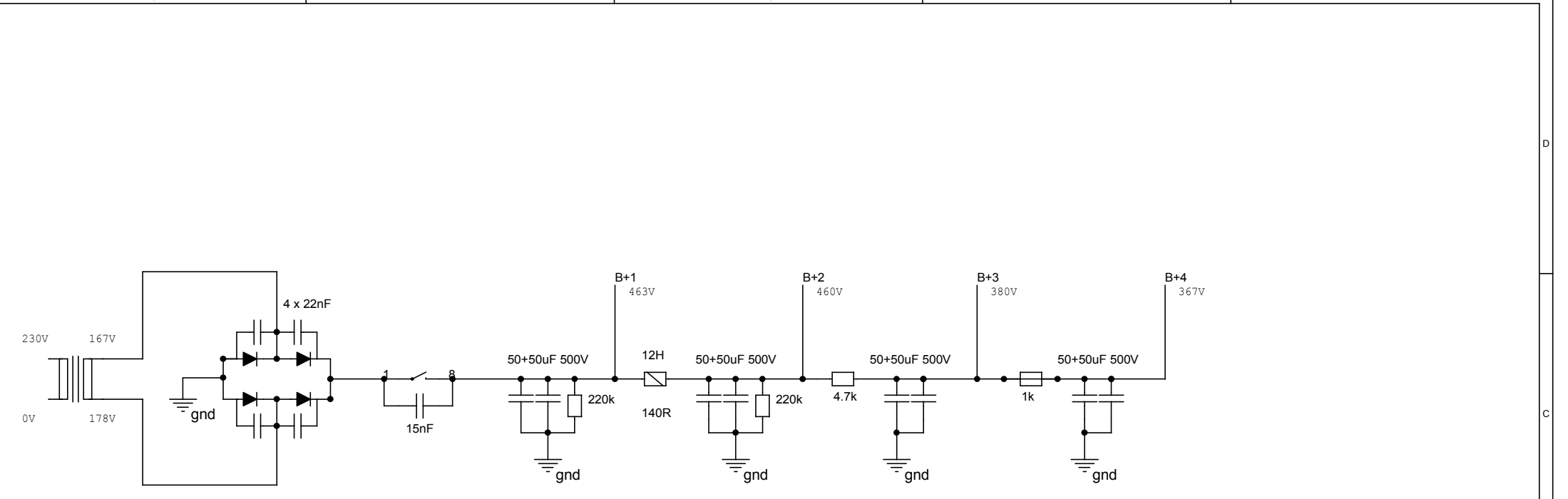


V4a 12AX7

File			VH4
Size	Document Number		Rev
Cust#	Kopak		V1.0
Date:	Tuesday, December 04, 2012	Sheet	1 of 1



Title		
VH4 poweramp		
Size	Document Number	Rev
A4	Kojak	v1.0
Date:	Tuesday, December 04, 2012	Sheet 1 of 1



Title		
VH4 PSU		
Size A4	Document Number iamkojak	Rev 1.0
Date:	Wednesday, December 05, 2012	Sheet 1 of 1