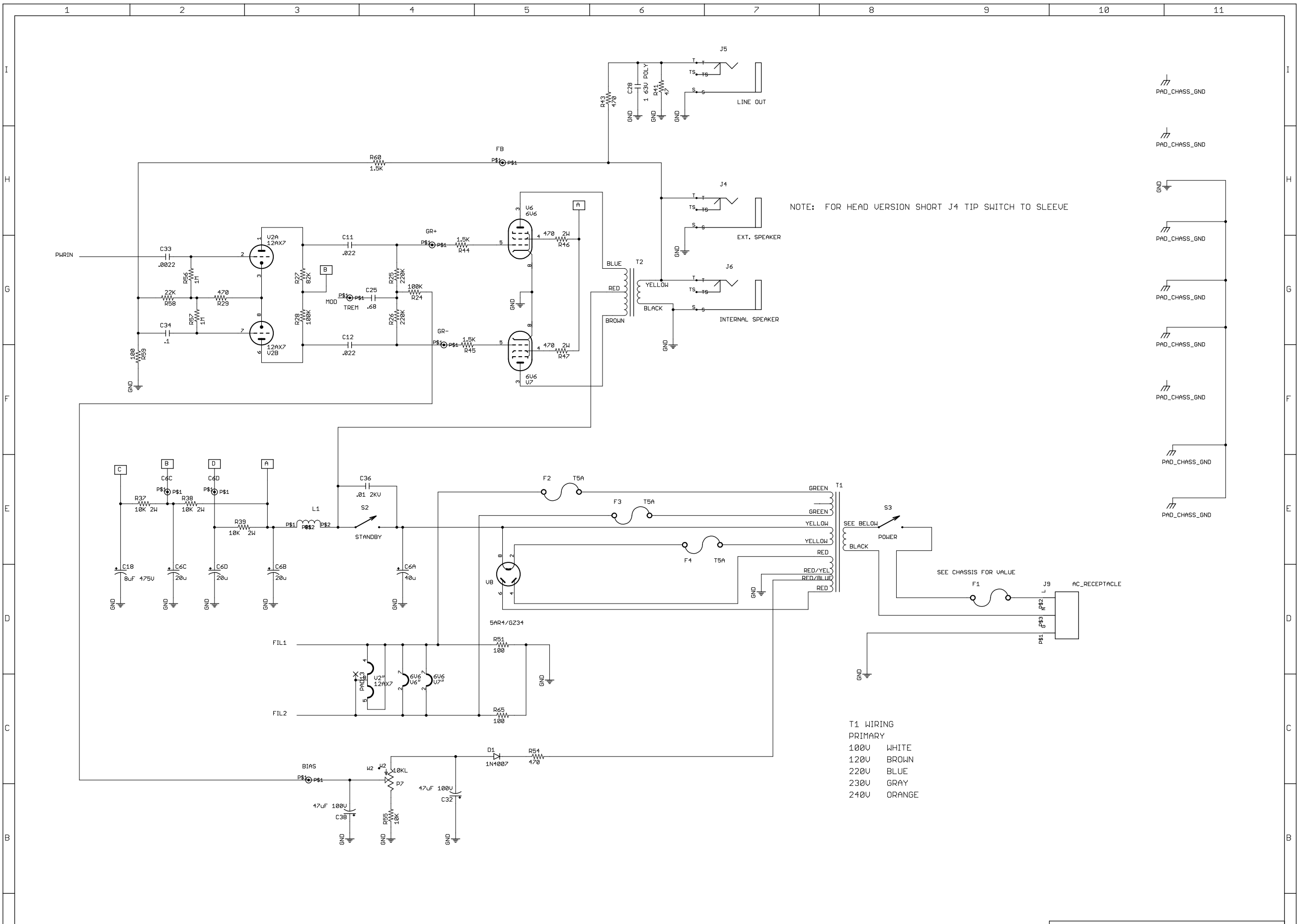


*** DO NOT INSERT

rev 2 ADDED F2, F3, F4 JUNE 17, 2015
 rev 1 ADDED C38, CHG'D T1 APR. 29, 2013
 rev 0 PRODUCTION RELEASE FEB. 18, 2013

TWILIGHTER MAIN PCB/CHASSIS	
TITLE: Twilighter	
Document Number:	REV: 2
Date: 6/17/2015 7:59:25 PM	Sheet: 1/2



NOTE: FOR HEAD VERSION SHORT J4 TIP SWITCH TO SLEEVE

- T1 WIRING
 PRIMARY
 100V WHITE
 120V BROWN
 220V BLUE
 230V GRAY
 240V ORANGE

TWILIGHTER MAIN PCB/CHASSIS	
TITLE: Twilighter	
Document Number:	REV: 2
Date: 6/17/2015 7:59:25 PM	Sheet: 2/2

rev 2 ADDED F2, F3, F4 JUNE 17, 2015
 rev 1 ADDED C38, CHG'D T1 APR. 29, 2013
 rev 0 PRODUCTION RELEASE FEB. 18, 2013