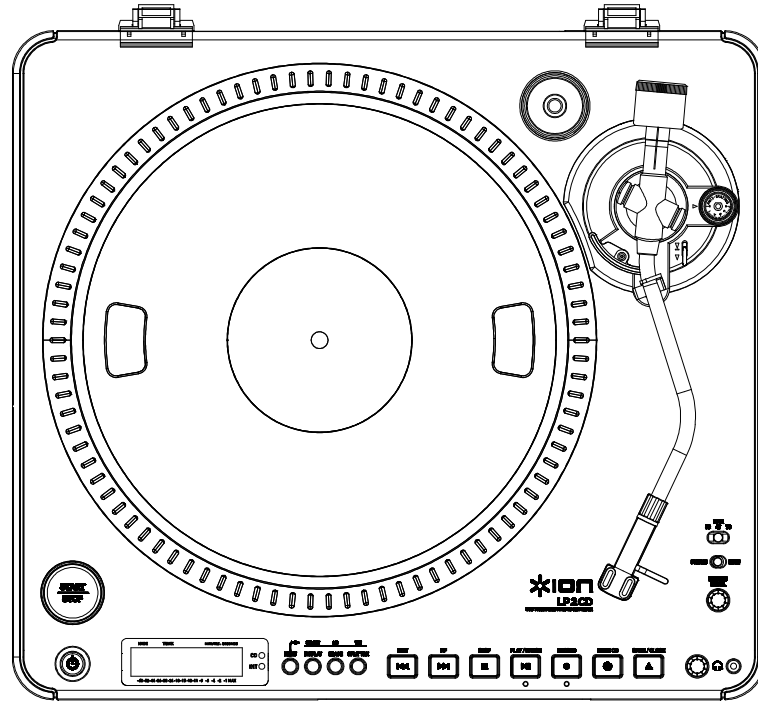


SERVICE MANUAL

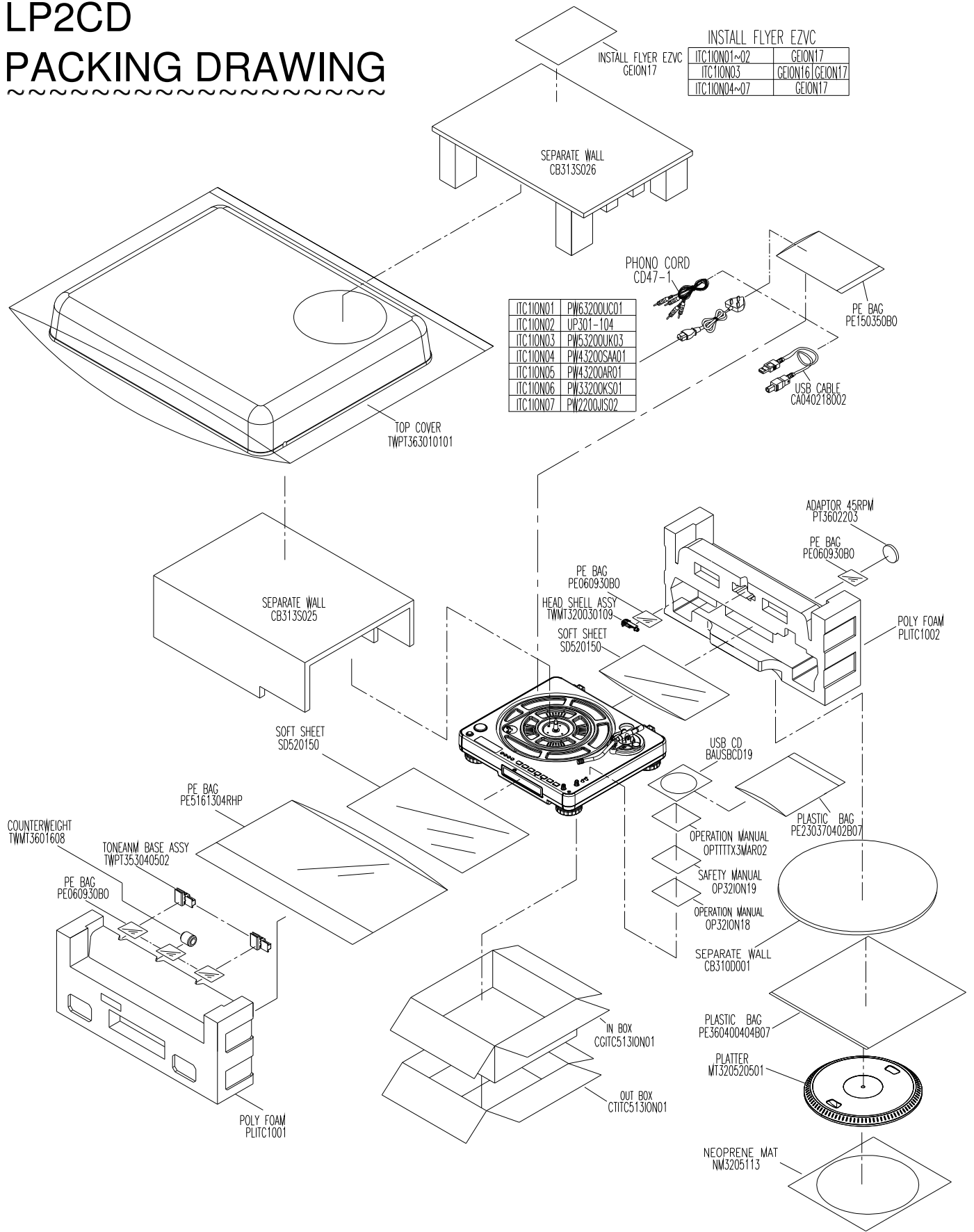
MODEL:LP2CD



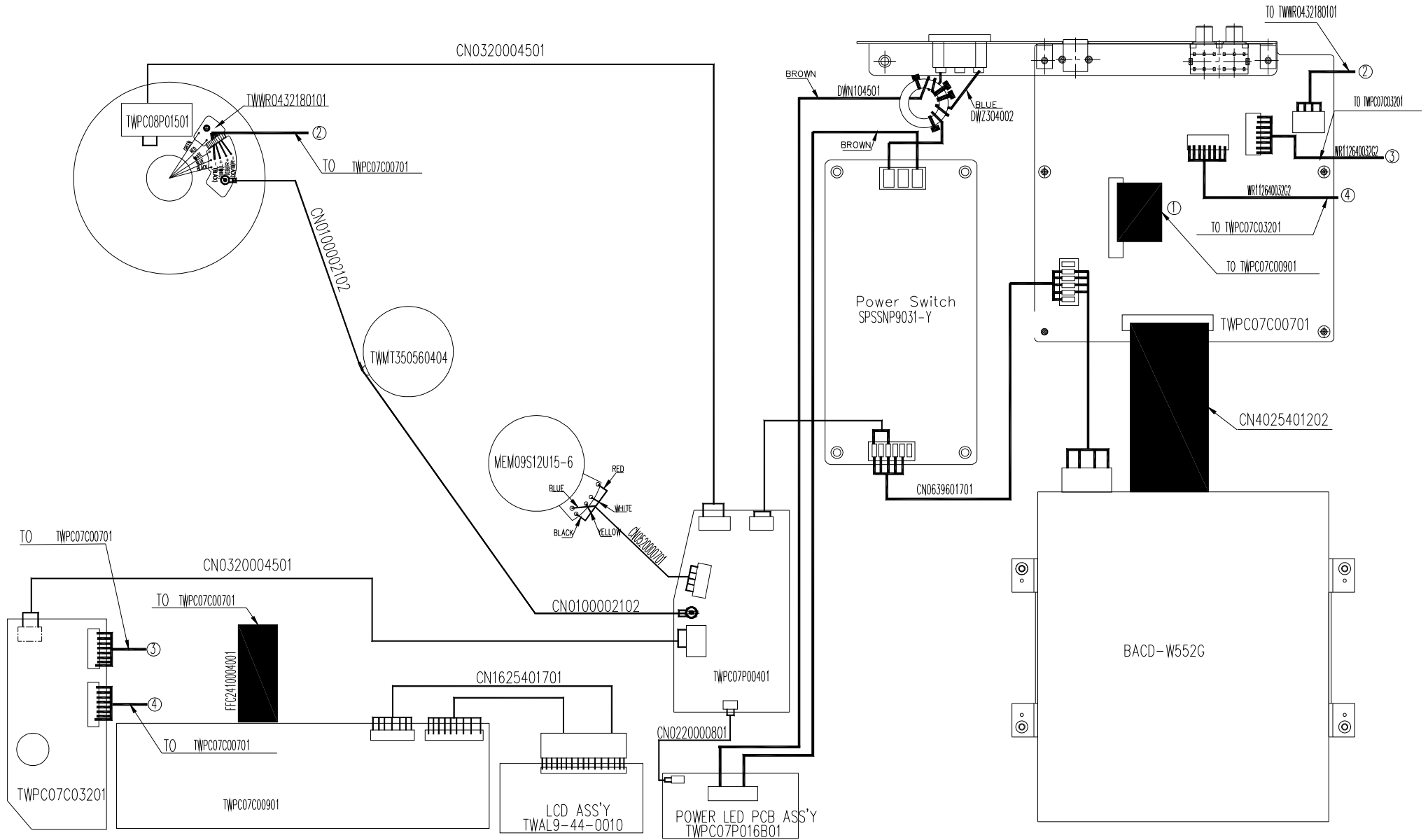
SPECIFICATION

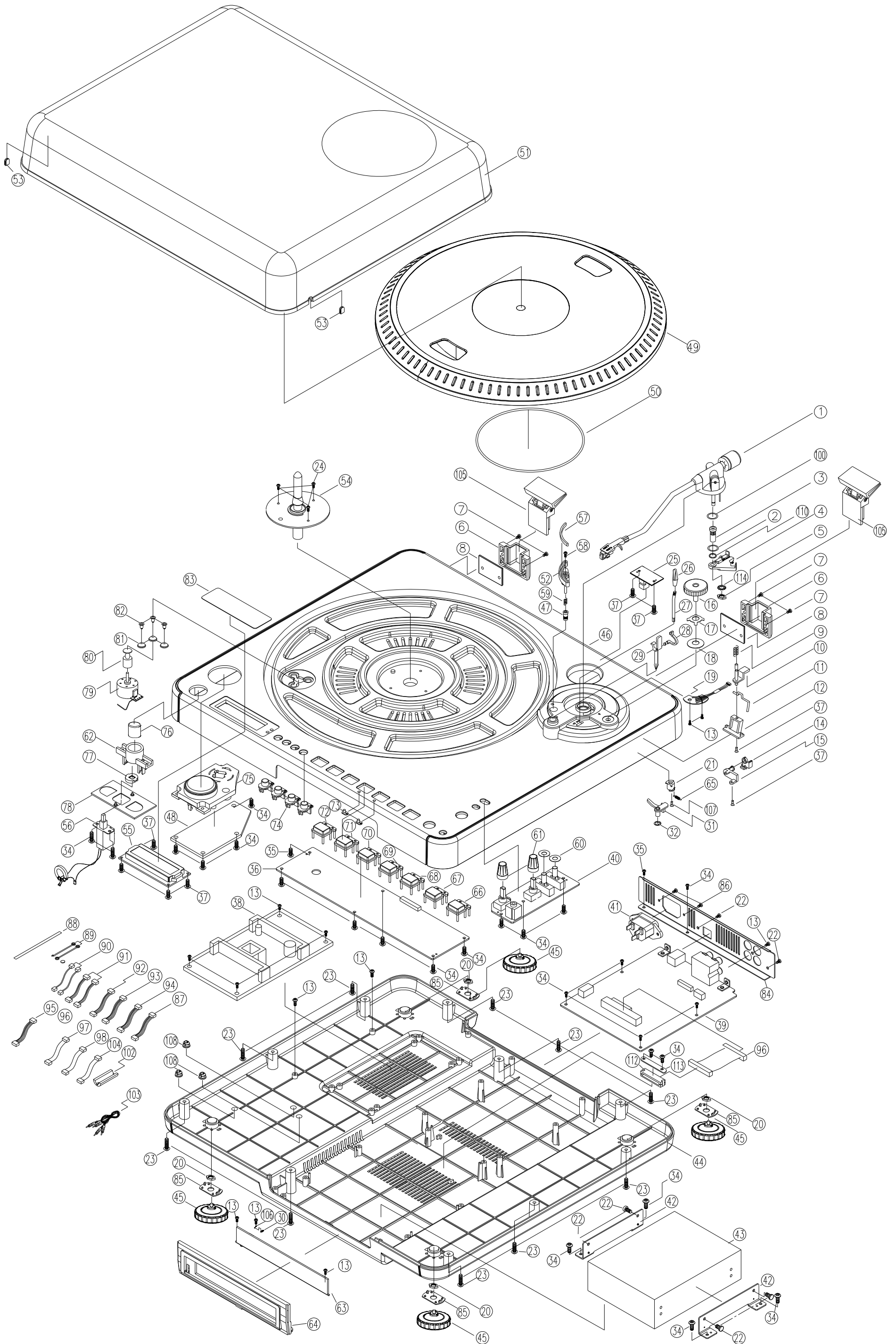
- 1 • **POWER BUTTON** :Press this button to turn the unit on and off.
- 2 • **PLATTER** :This platter must be securely fastened to the turntable prior to operation. The Motor Drive Belt can be found on the drive ring underneath the platter. See “Platter Setup” section for detailed information on installing the Motor Drive Belt.
- 3 • **TONEARM ASSEMBLY** :See “Tonearm Overview”section for a detailed description of the tonearm.
- 4 • **45RPM ADAPTER HOLDER** :You may place the 45 adapter here when it is not in use.
- 5 • **START/STOP BUTTON** :This button starts and stops the turntable motor. If the button doesn’t seem to be functioning, check to make sure that the Motor Drive Belt is properly installed, as described in the “Platter Setup”section.Please note that the tonearm needs to be moved away from resting position(arm clip)for the turntable motor to activate.
- 6 • **DISPLAY** :The display helps you access menu options and information relevant to the operation of the unit.
- 7 • **MENU AND FUNCTION BUTTONS** : See “Menu and Function Buttons” section for a detailed description of these buttons.
- 8 • **CD CONTROL BUTTONS** :See “CD Control Buttons” section for detailed information.
- 9 • **HEADPHONE VOLUME** :Adjust the volume of the headphone signal withc this knob.
- 10 • **1/8” HEADPHONE OUTPUT** :Connect your 1/8” headphones to this output.
- 11 • **RECORD LEVEL** :This knob adjusts the level of the audio signal from the turntable or from audio sources connected to the Line in inputs on the rear panel.
- 12 • **PHONO/LINE SWITCH** :This switch selects the input audio signal. Set this switch to Phono when playing and transferring your vinyl records to CD or to your computer. Set this switch to Line if you would like to transfer or listen to music from external audio sources connected to the Line in inputs on the rear panel.
- 13 • **33/45/78 RPM SELECTOR SWITCH** :Set this switch to the appropriate position when playing back records. If the music plays at a strange or unusual pitch, this may be a good indication that the wrong RPM setting has been selected.

LP2CD PACKING DRAWING



WIRING DIAGRAM

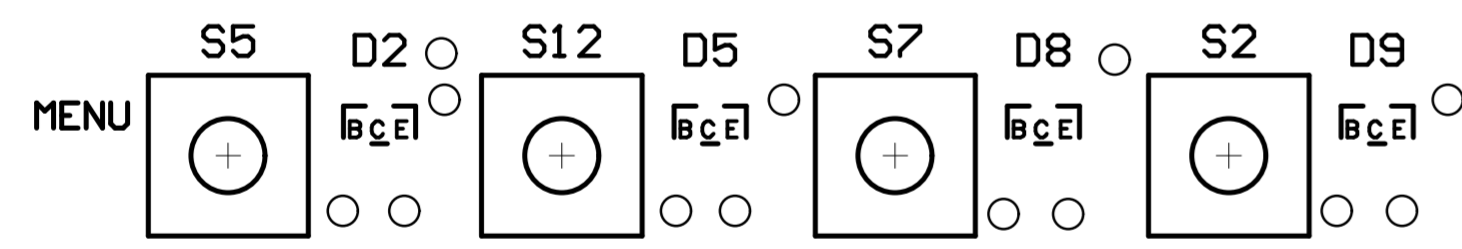
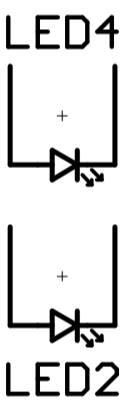
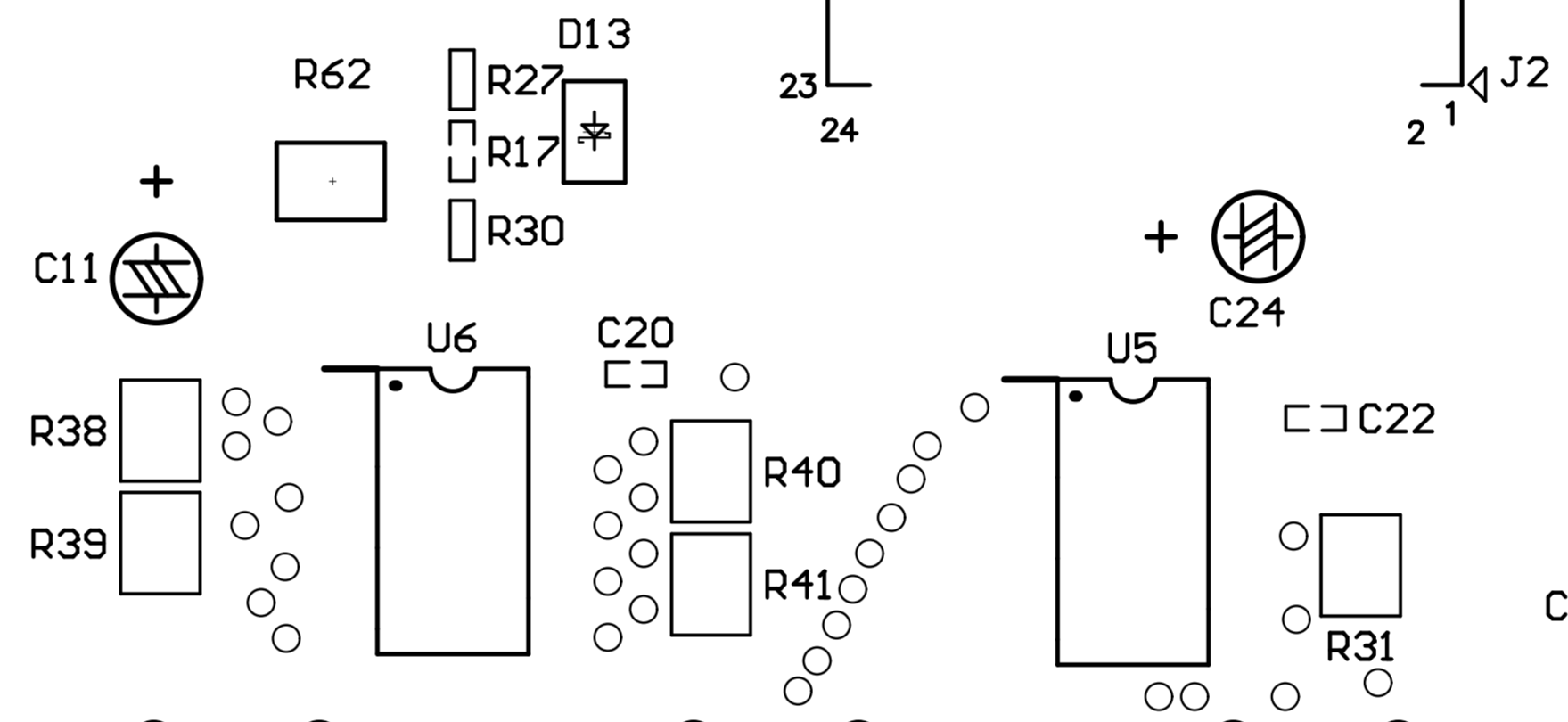
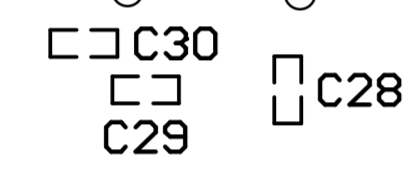




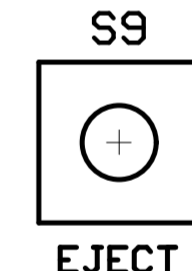
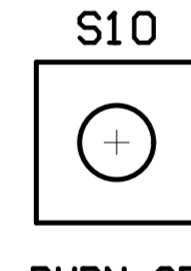
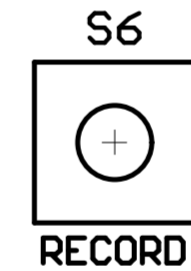
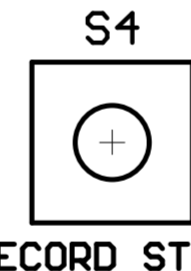
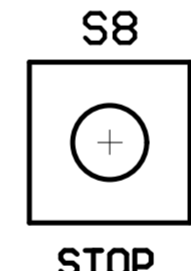
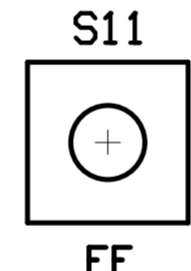
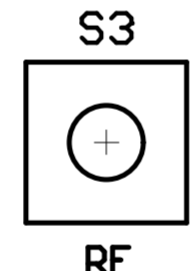


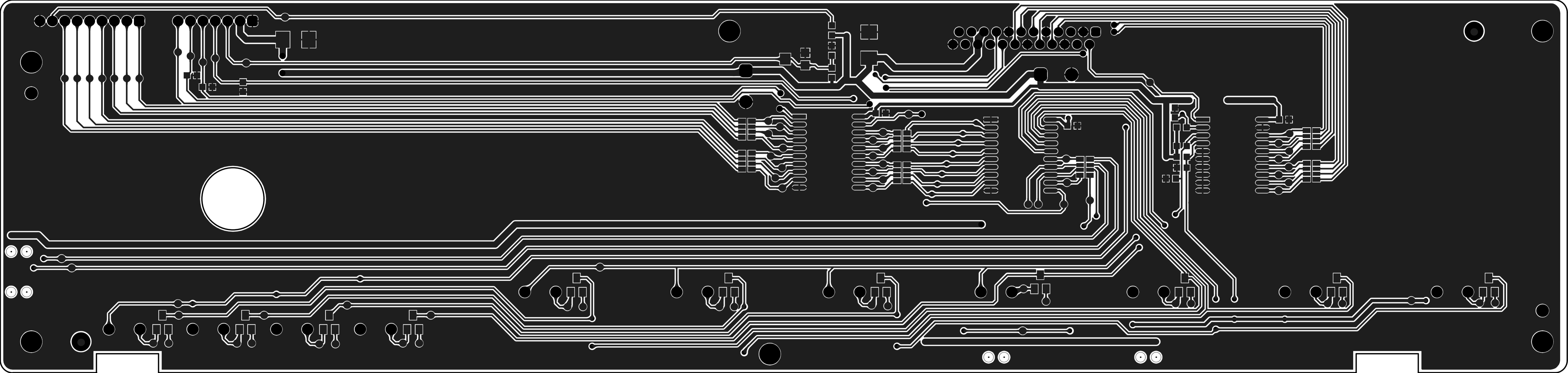
D12

ION
iTC1 DIGITAL CTRL PCB
PC07C009
9-40-0482-3
2007/12/17

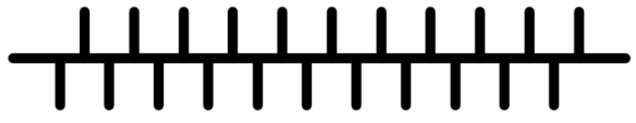


ERASE/SELECT SPLIT TRK/NO DISPLAY/YES





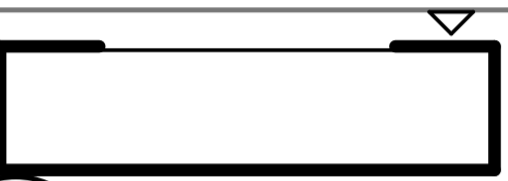
| | |
|----------|-----------|
| F_CD_CS | 2M_BOM_CS |
| DND | LP_DND |
| LB_DATA1 | DATA0 |
| LB_DATA2 | DND |
| SATA0_P1 | LP_DATA3 |
| DND | LP_DATA4 |
| LP_DATA5 | DATA0_P2 |
| SATA0_P3 | DND |
| DND | LP_DATA1 |
| F_CD_RS | F_CD_MR |
| +2V | 2M_COI_CS |
| VV | +2V1 |
| VV | OE |
| DND | DND |



50021512
2-40-0485-3
PC02C002
ITCI DIGITAL CTRL PCB
ION

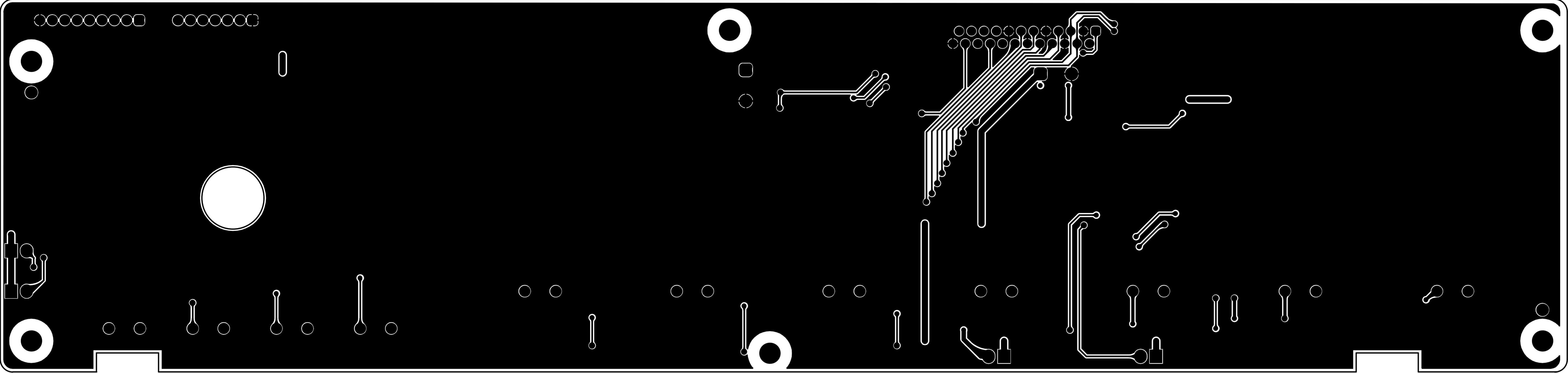


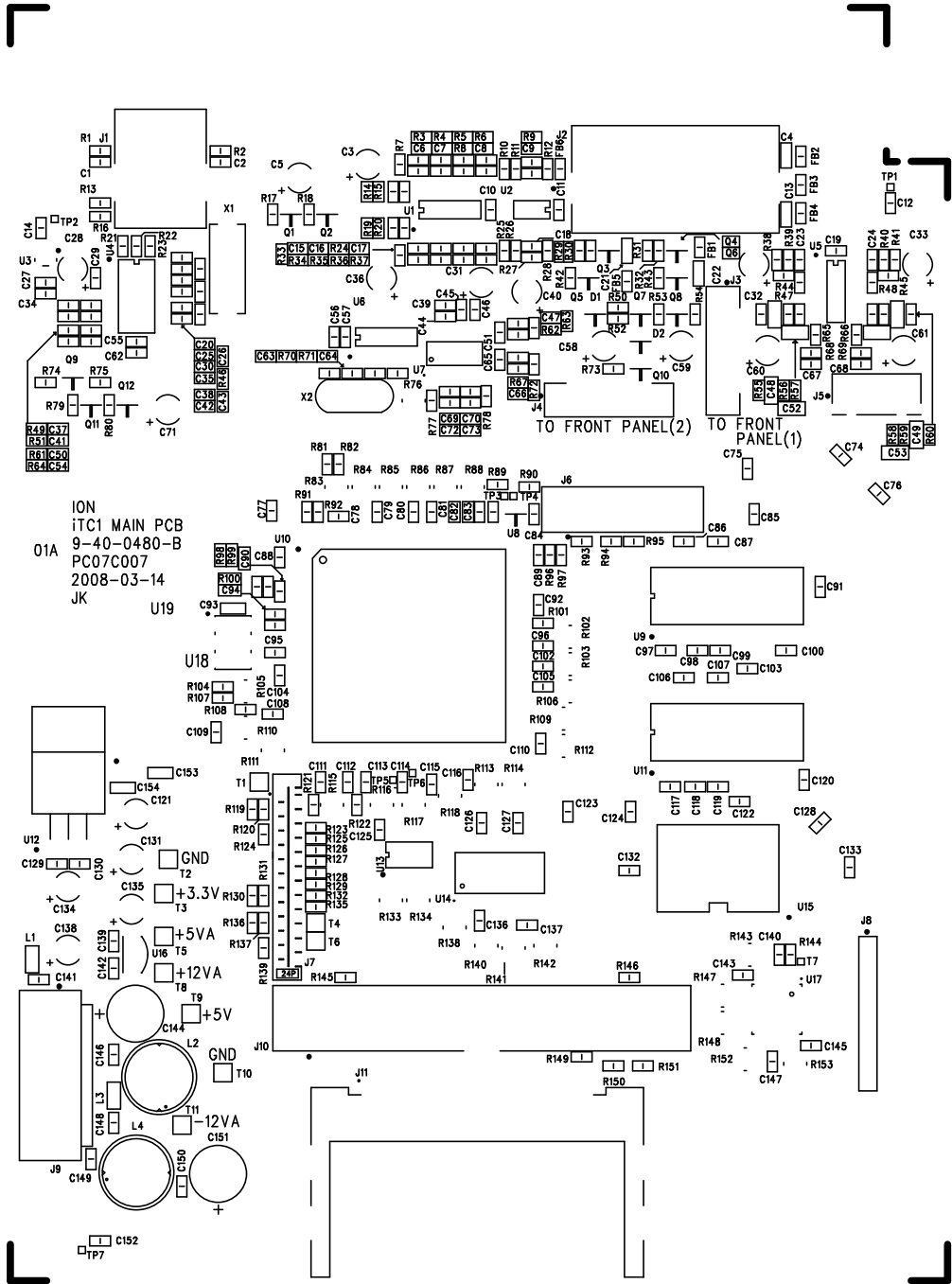
13
E RNM
DB0



14
DB5 DB6 DB7 DB8 DB9 DB10 DB11 DB12 DB13 DB14

FED+
FED-

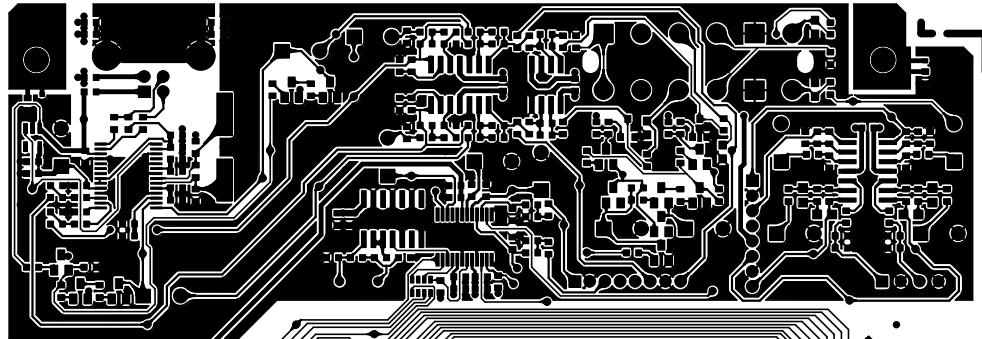




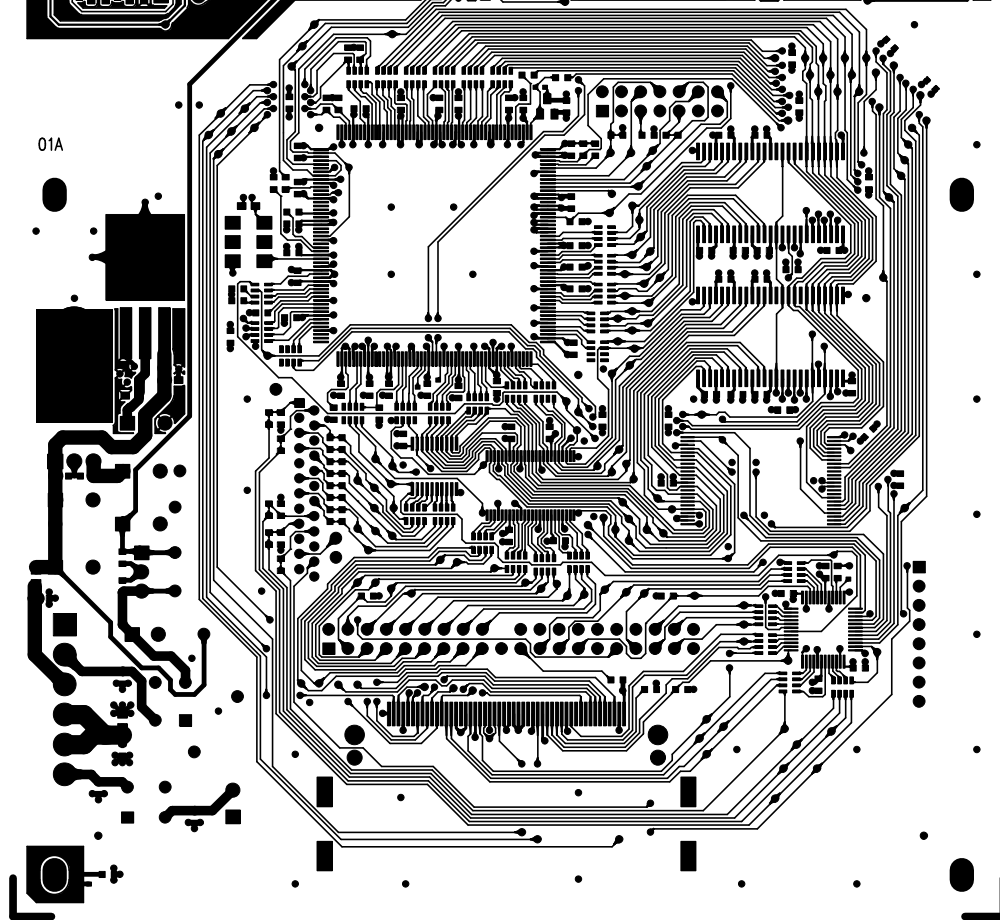
ION
 iTC1 MAIN PCB
 9-40-0480-B
 PC07C007
 2008-03-14
 JK
 O1A
 U19

ION 9-40-0480-B "TOPSILK"



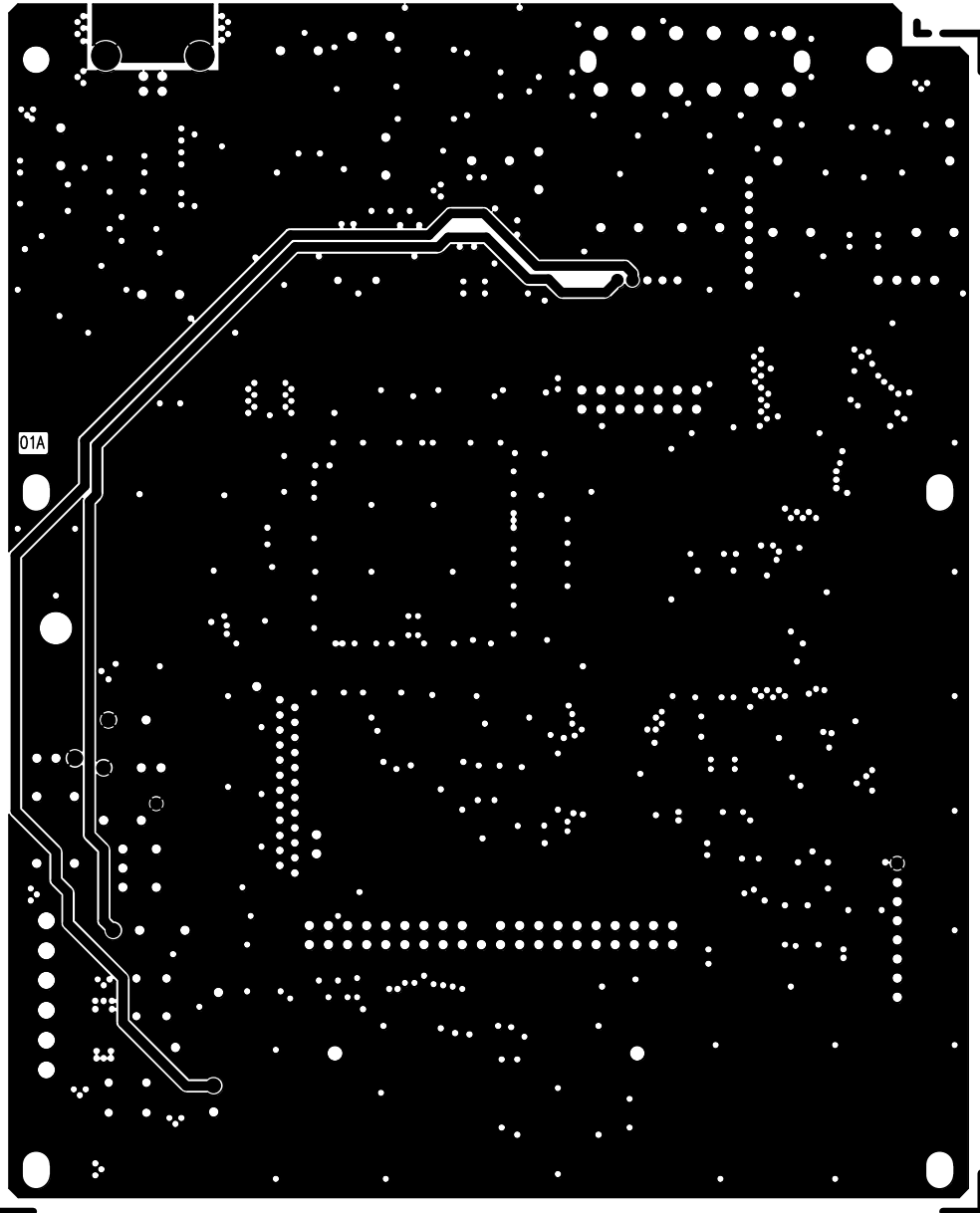


01A



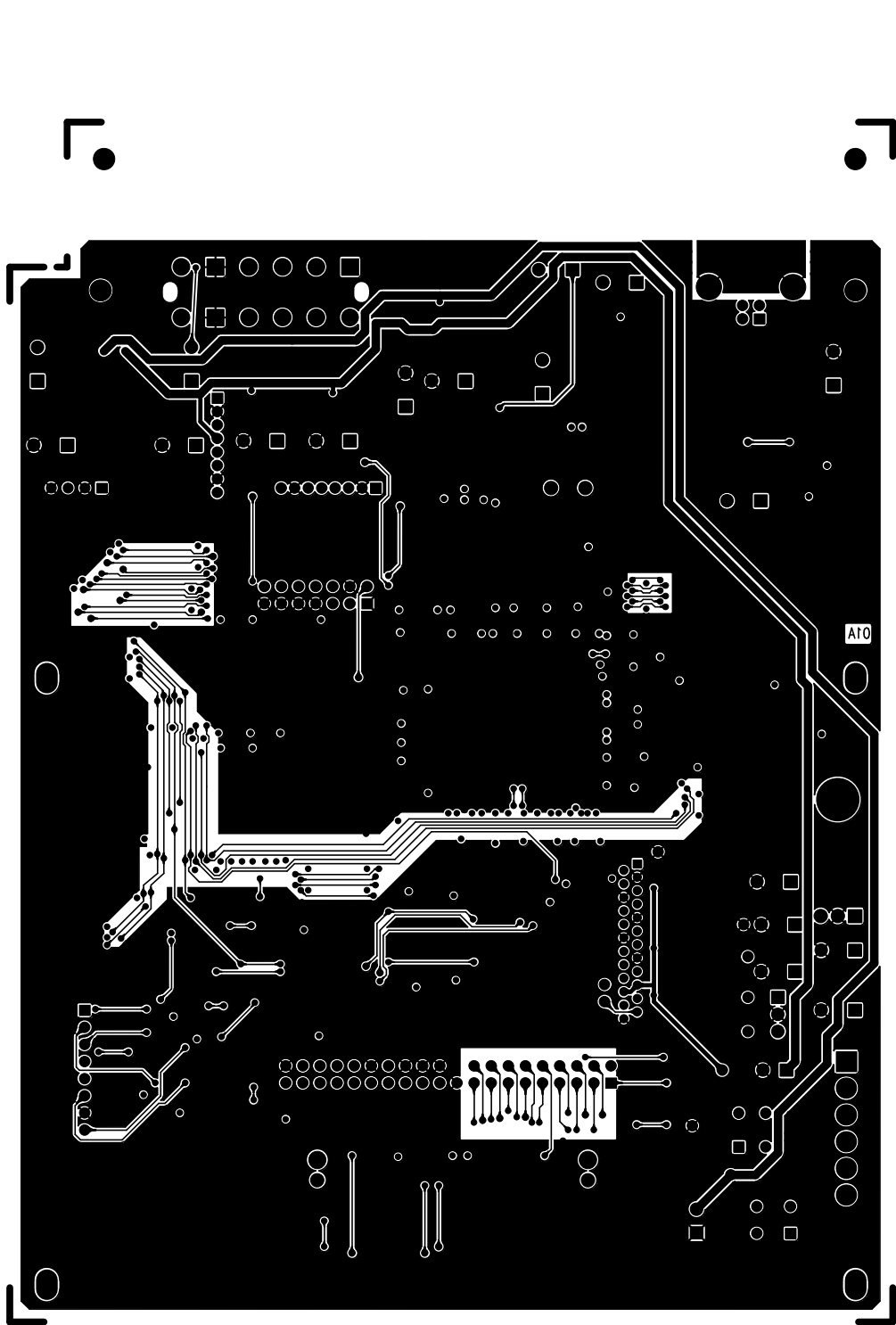
ION 9-40-0480-B "TOPTRACE"



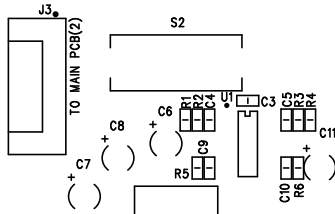
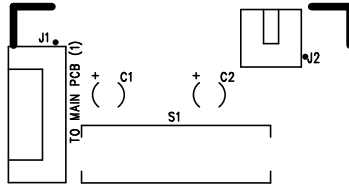



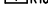
ION 9-40-0480-B "PWRPLANE LAYER 3"

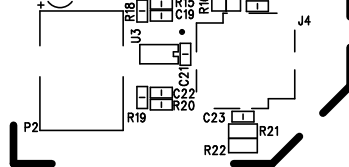
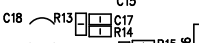
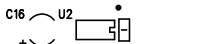




ION 9-40-0480-B "BOTTRACE"



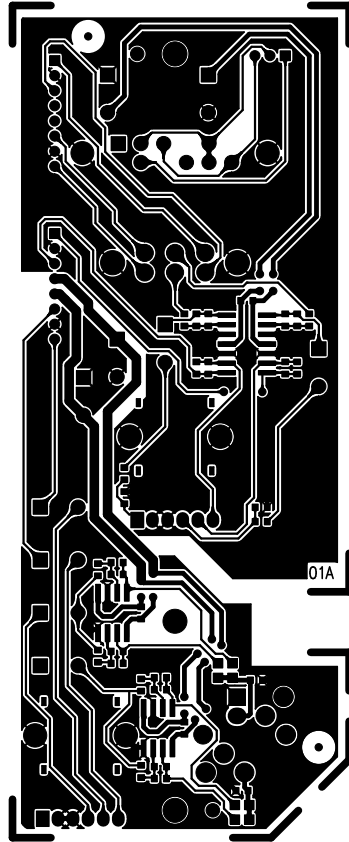
ITC1 TA PCB
 9-40-0481-B
 PC07C032
 2008-02-25
 JK
 R9
 R10



01A

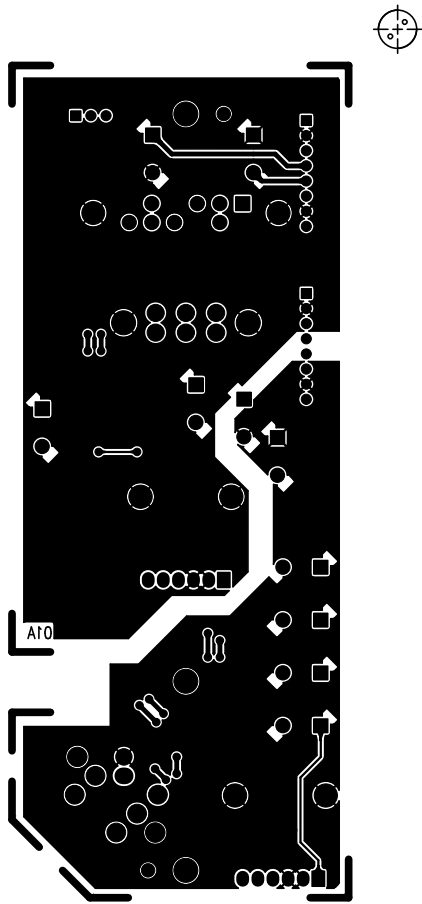
ION 9-40-0481-B "TOPSILK"



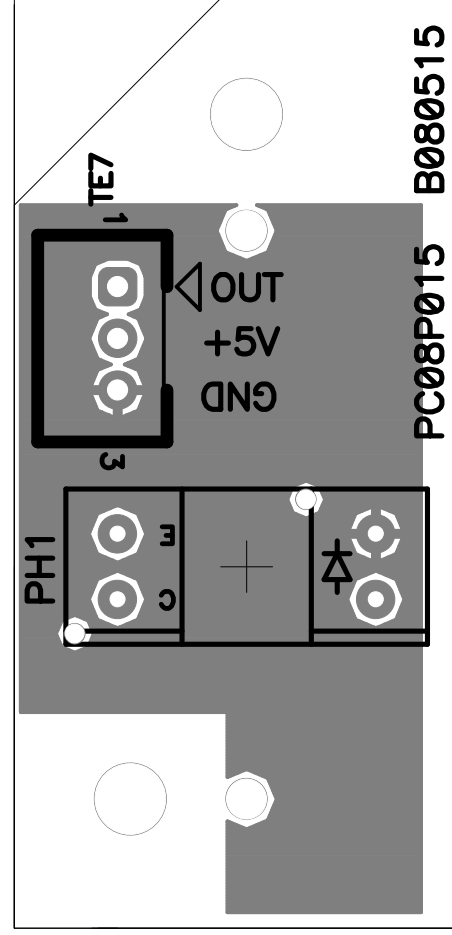
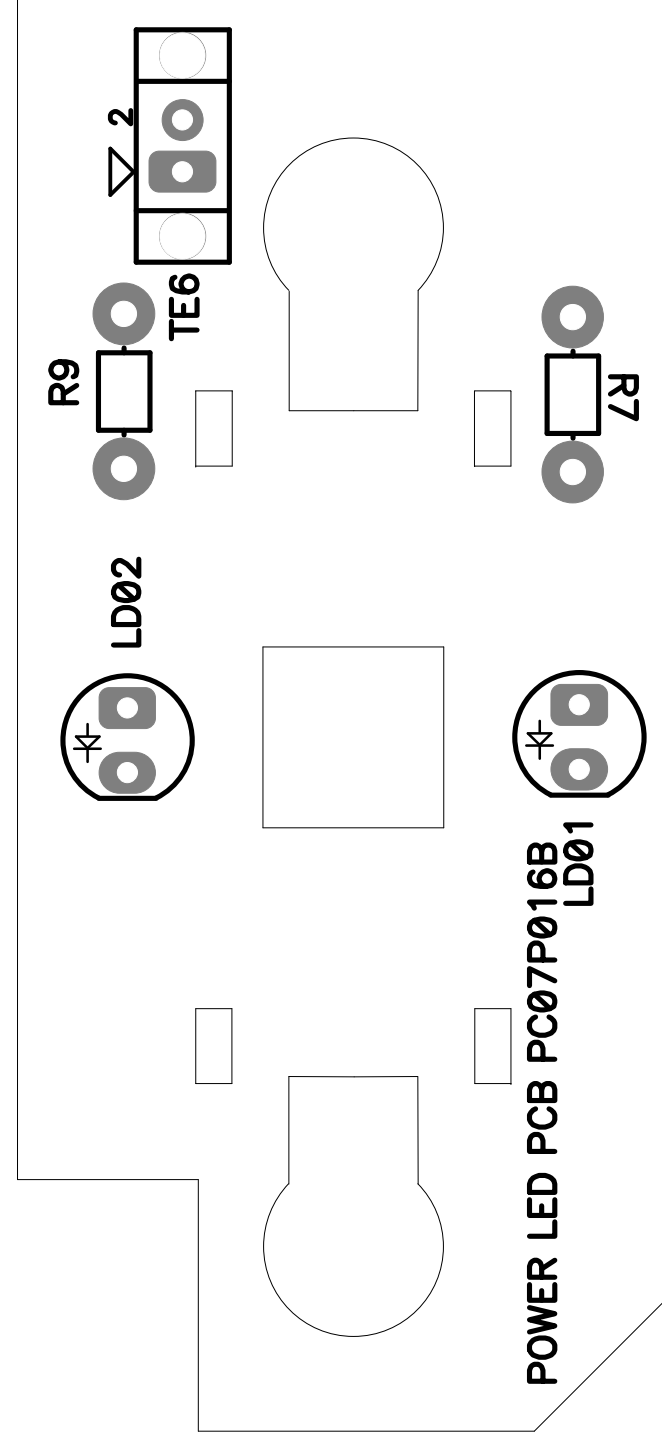
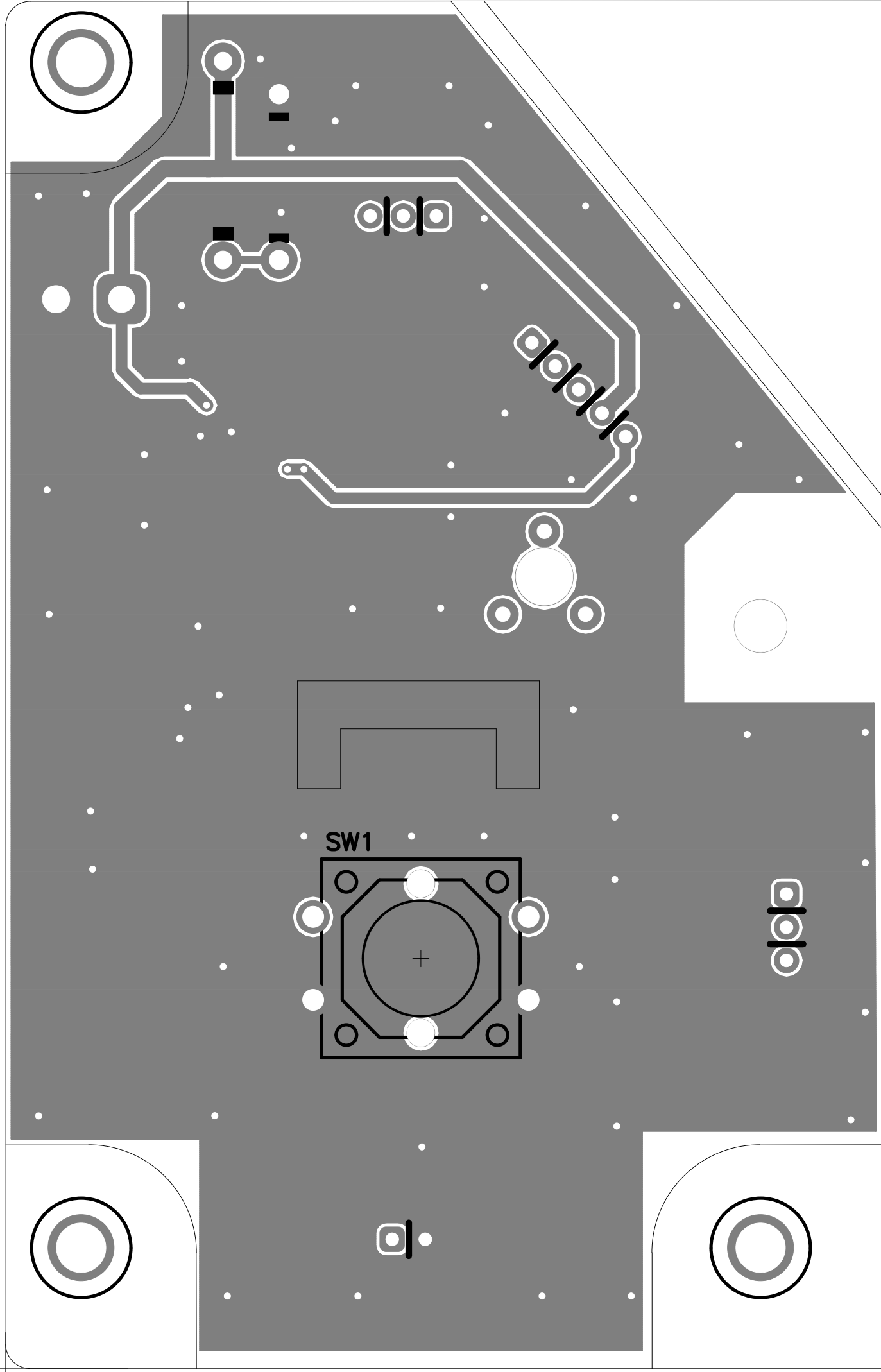


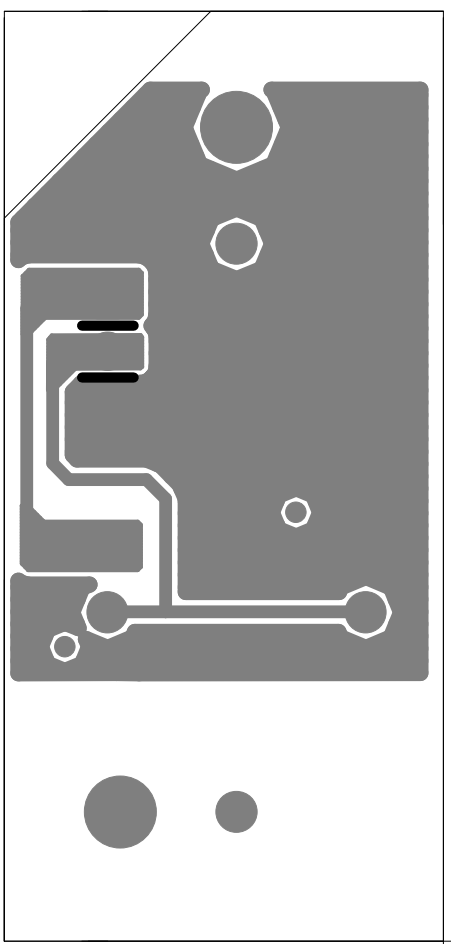
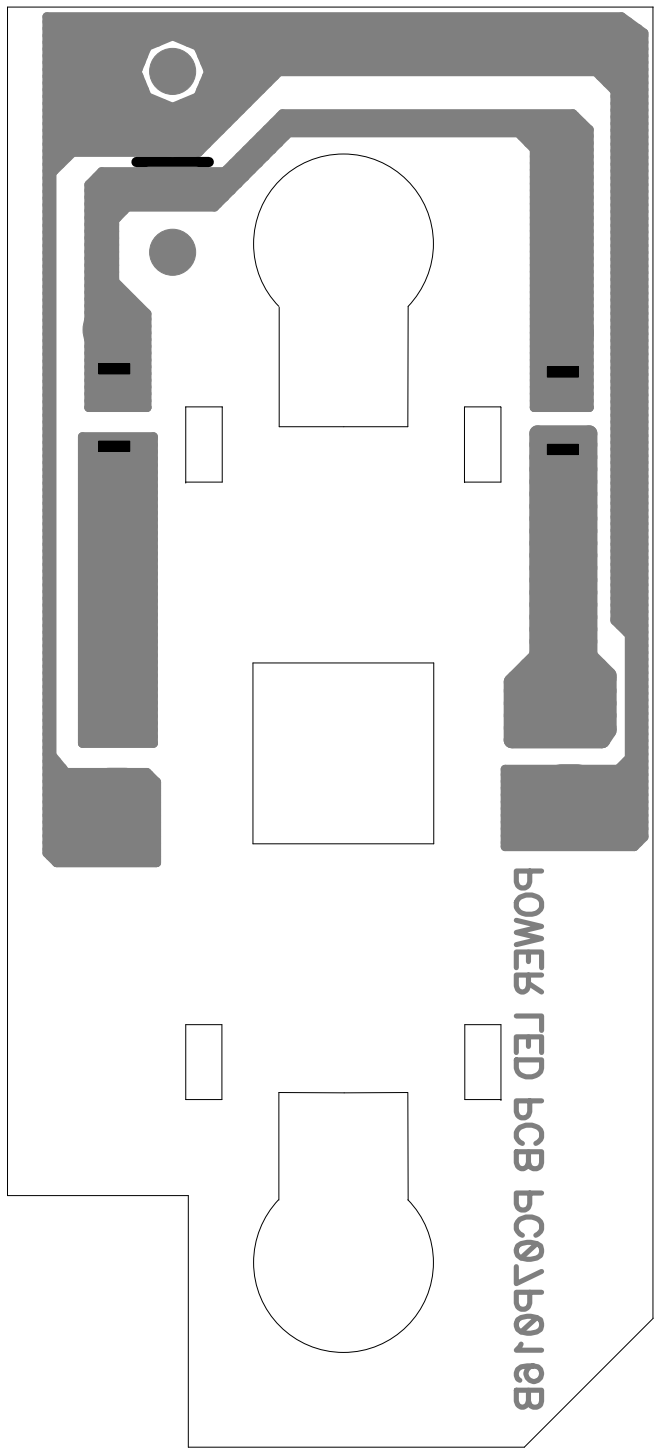
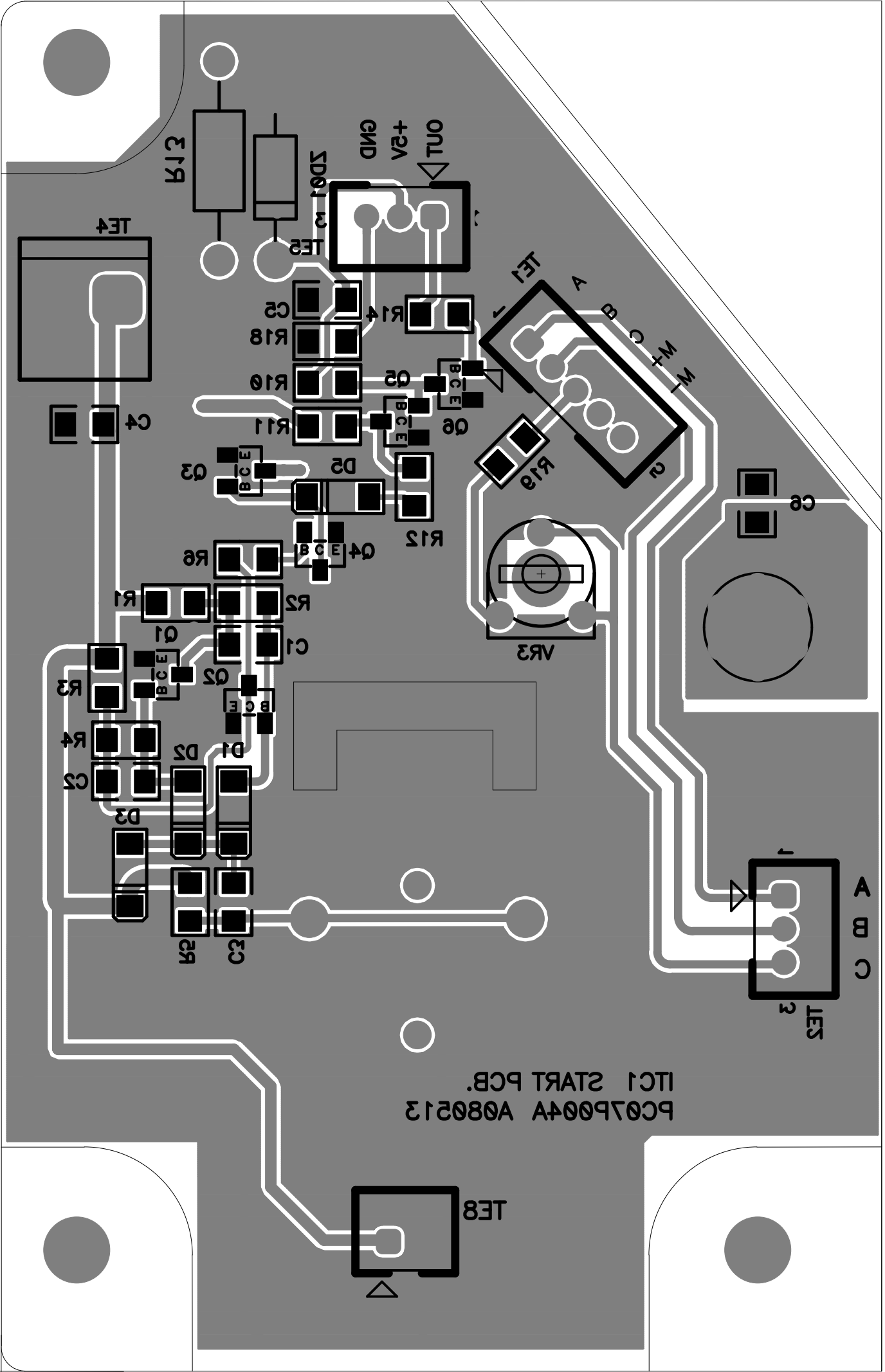
ION 9-40-0481-B "TOPTRACE"

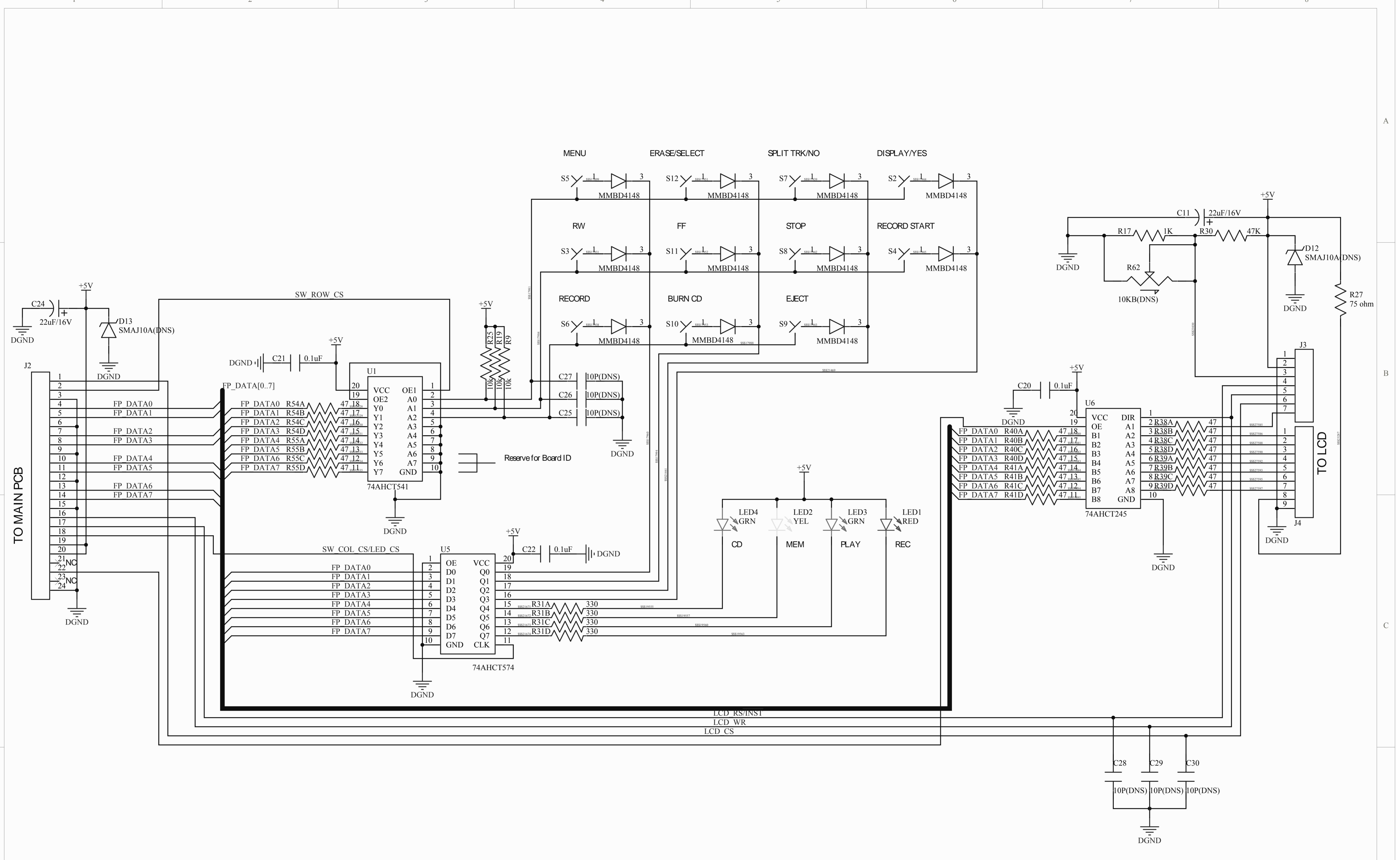




ION 9-40-0481-B "BOTTRACE"

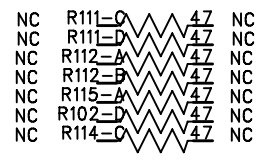
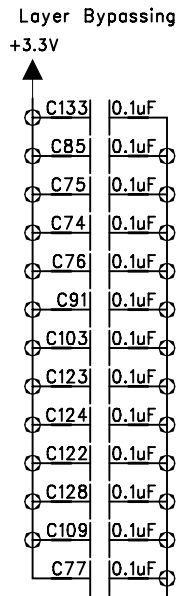
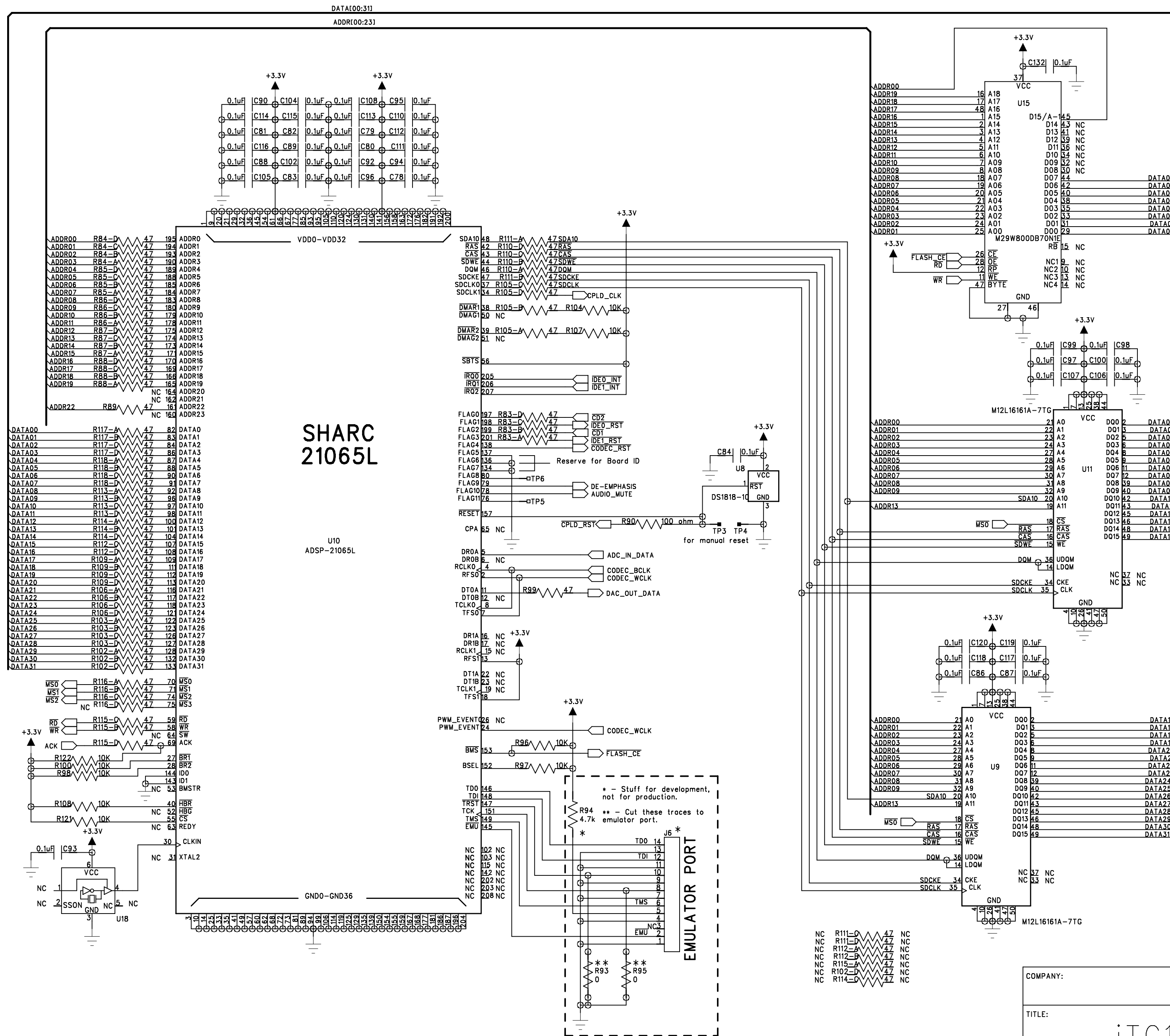






| | | | |
|---|-----------------|-----------------------|--|
| Title: iTC1 Top Panel Digital PCB Schematic | | | |
| Size A3 | Number PC07C009 | Revision 0 | |
| Date: 2008/01/24 | | Sheet 1 of 1 | |
| File Name: PC07C009.SchDoc | | Design By: Liu Chunyu | |

| | | | | | |
|----------|-------|--------|-----|------|-------------|
| Approval | Check | Design | REV | DATE | Description |
| | | | | | |



| | | | |
|--------------|----------------|-------|------|
| COMPANY: | ION | | |
| TITLE: | iTC1 MAIN PCB | | |
| PART NUMBER: | 9-40-0480-B | | |
| ASSY NUMBER: | 9-79-0480-B-0 | | |
| FILENAME: | iTC1MNB01a.sch | SIZE: | C |
| SCALE: | SHEET: 1 | | OF 3 |

| | | | |
|-----------|--------|--------|------------|
| DRAWN: | J. Kho | DATED: | 2008/03/14 |
| RELEASED: | | DATED: | |

6

5

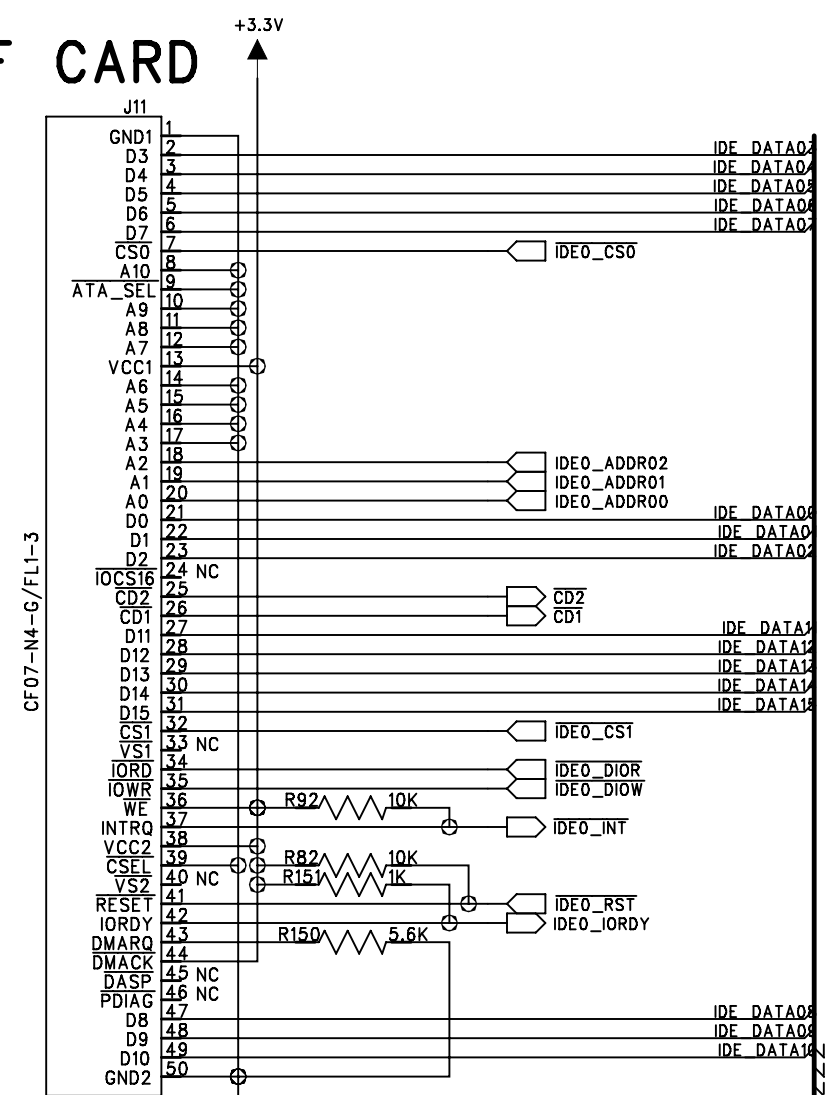
4

3

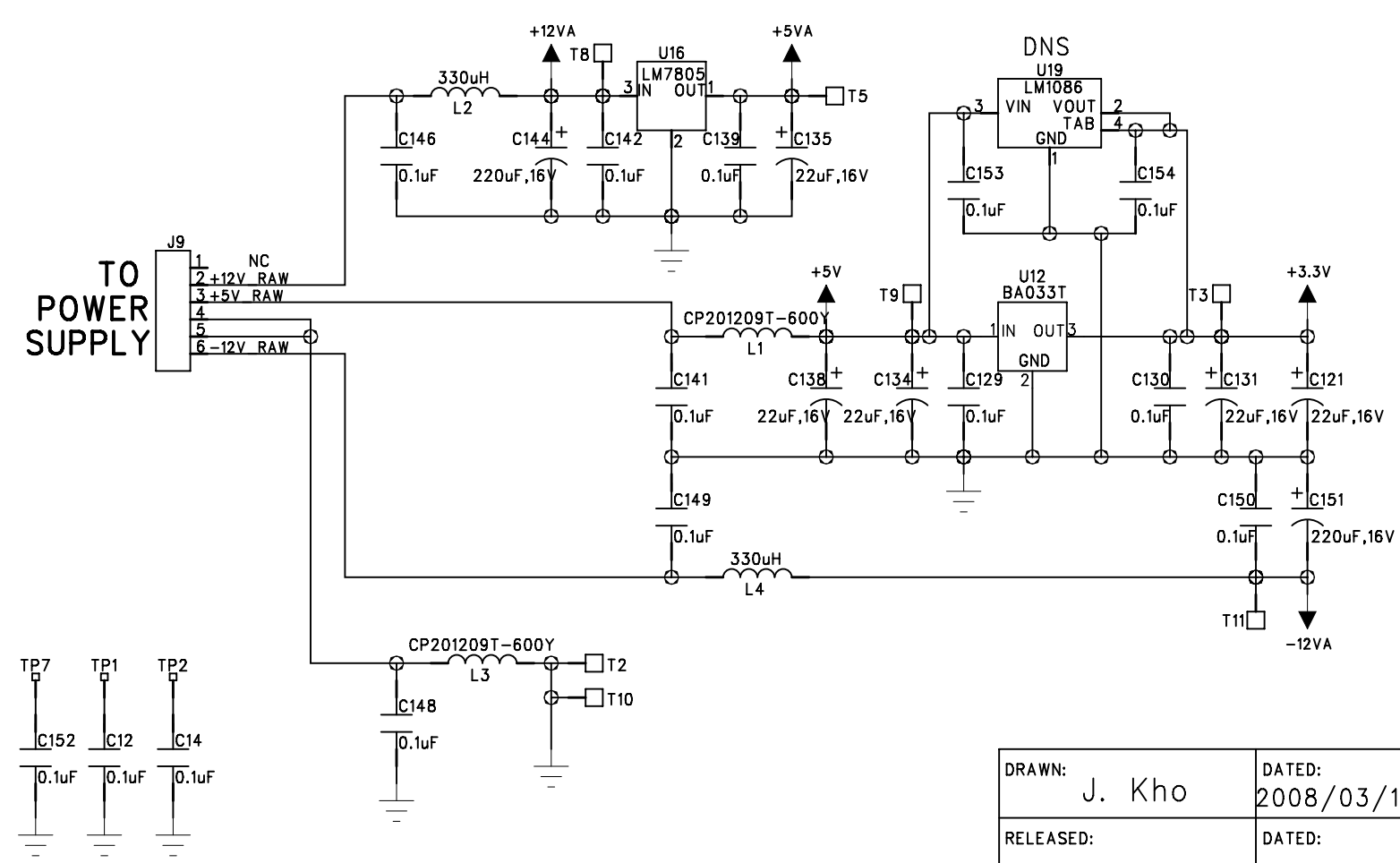
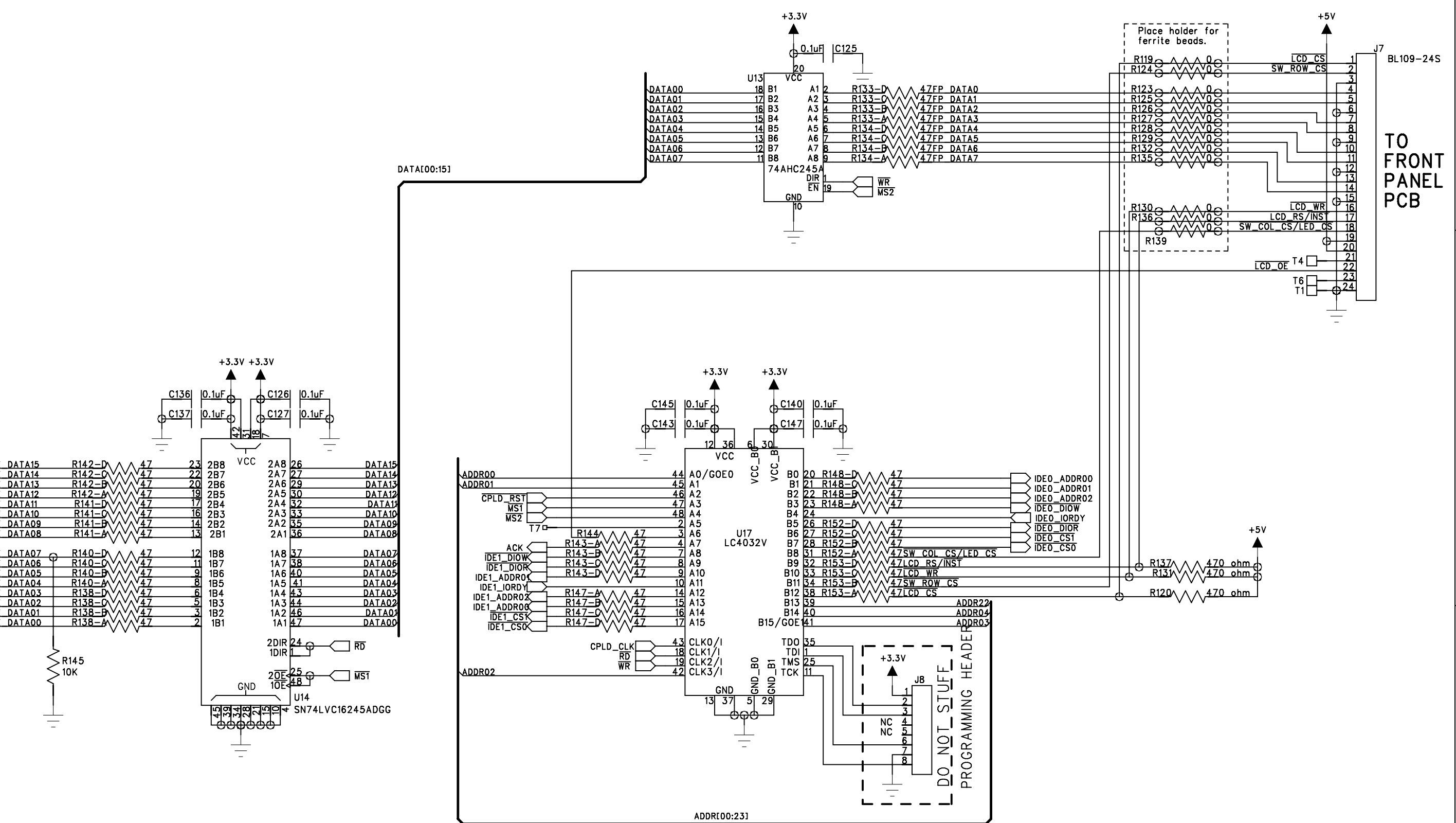
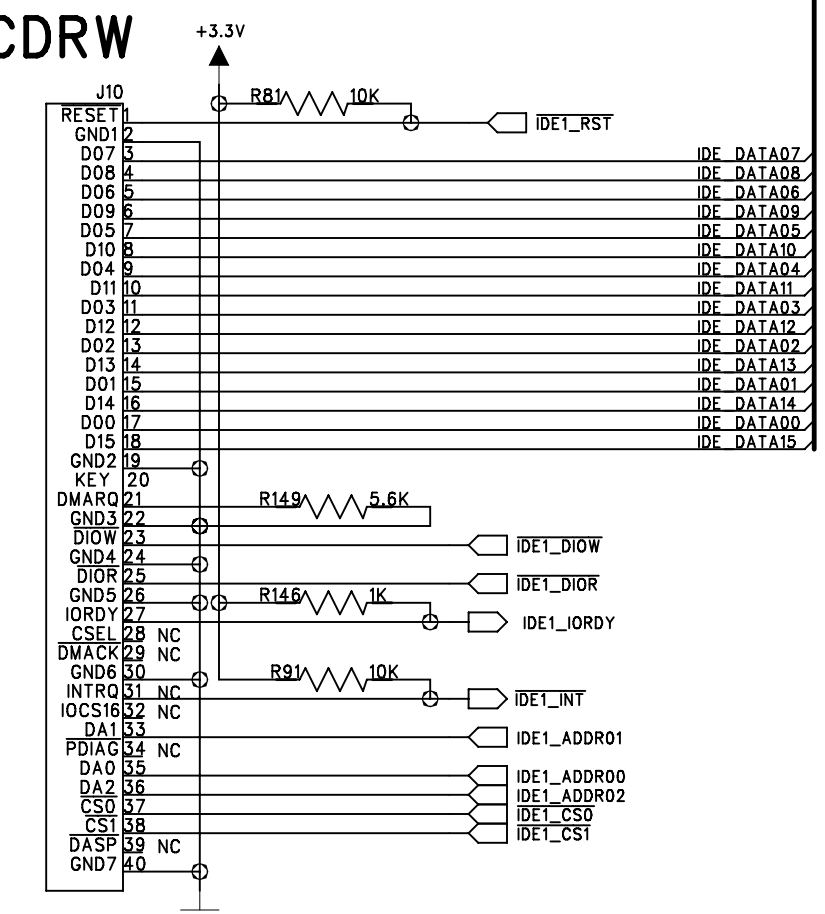
2

1

CF CARD



CDRW

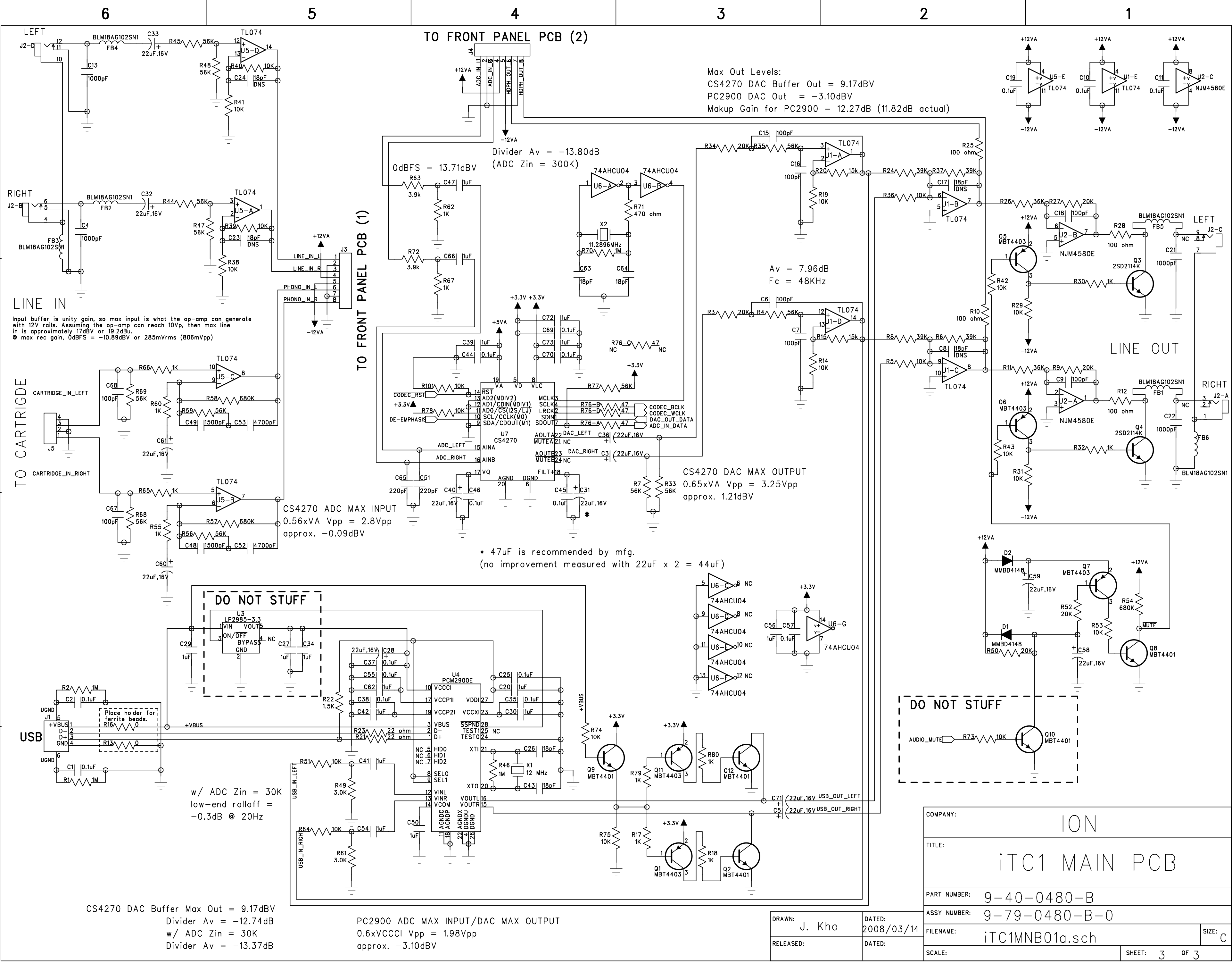


| | | | |
|--------------|----------------|--------|--------|
| COMPANY: | ION | | |
| TITLE: | iTC1 MAIN PCB | | |
| PART NUMBER: | 9-40-0480-B | | |
| ASSY NUMBER: | 9-79-0480-B-0 | | |
| FILENAME: | iTC1MNB01a.sch | SHEET: | 2 OF 3 |
| SCALE: | | | |

| | | | |
|-----------|--------|--------|------------|
| DRAWN: | J. Kho | DATED: | 2008/03/14 |
| RELEASED: | | DATED: | |

TO FRONT PANEL PCB

DO NOT STUFF PROGRAMMING HEAD



Max Out Levels:
 CS4270 DAC Buffer Out = 9.17dBV
 PC2900 DAC Out = -3.10dBV
 Makeup Gain for PC2900 = 12.27dB (11.82dB actual)

TO FRONT PANEL PCB (2)
 0dBFS = 13.71dBV
 Divider Av = -13.80dB
 (ADC Zin = 300K)

LINE IN
 Input buffer is unity gain, so max input is what the op-amp can generate with 12V rails. Assuming the op-amp can reach 10Vp, then max line in is approximately 17dBV or 19.2dBu.
 * max rec gain, 0dBFS = -10.89dBV or 285mVrms (806mVpp)

CS4270 ADC MAX INPUT
 0.56xVA Vpp = 2.8Vpp
 approx. -0.09dBV

CS4270 DAC MAX OUTPUT
 0.65xVA Vpp = 3.25Vpp
 approx. 1.21dBV

* 47uF is recommended by mfg.
 (no improvement measured with 22uF x 2 = 44uF)

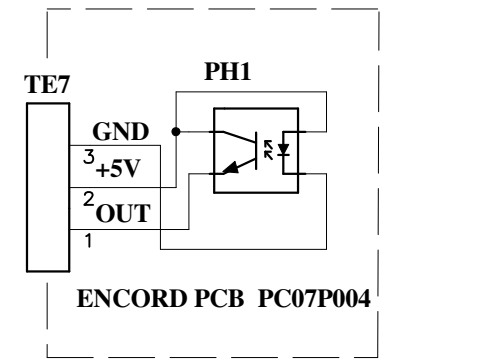
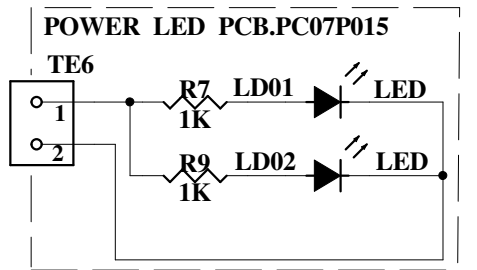
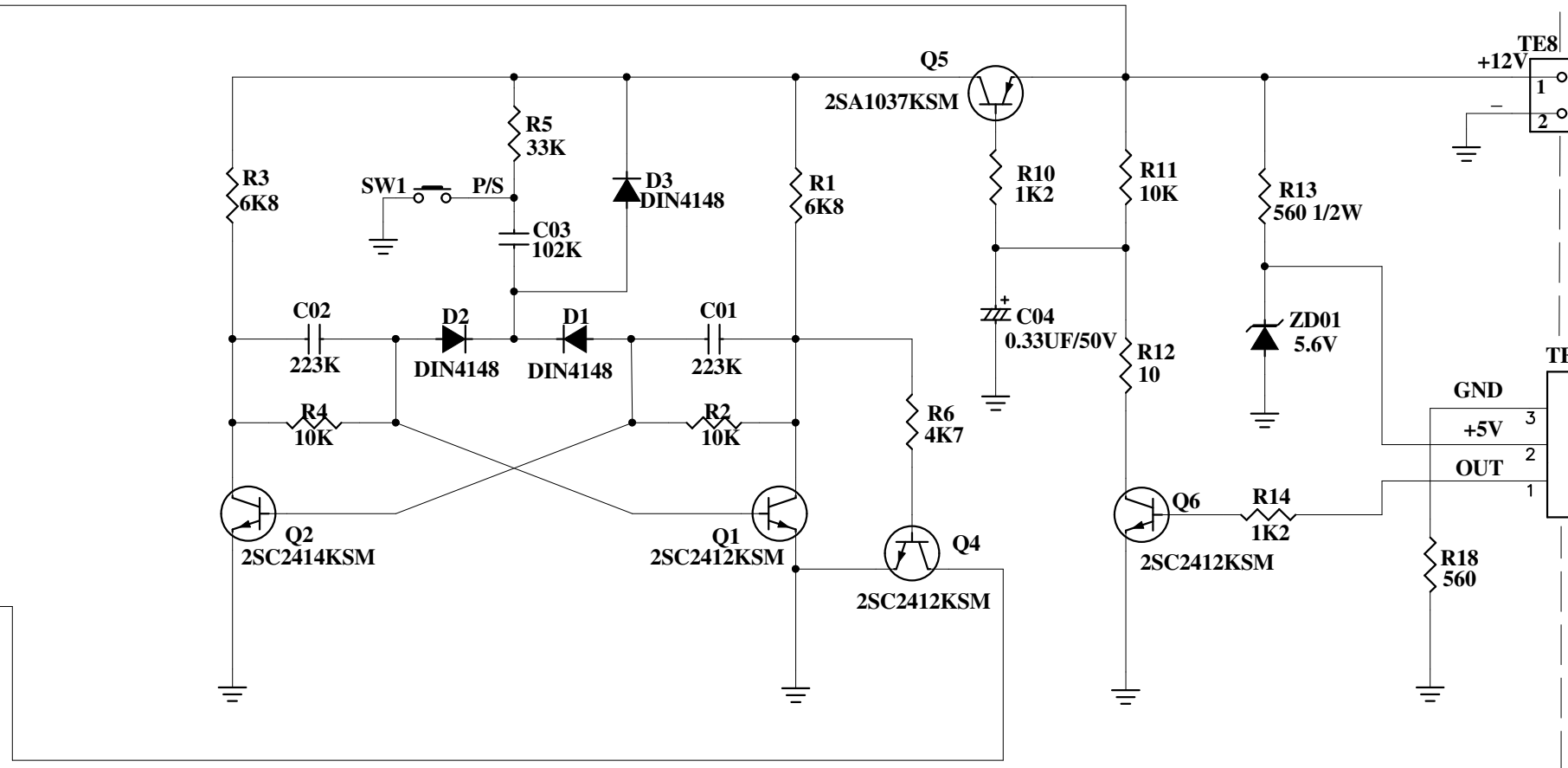
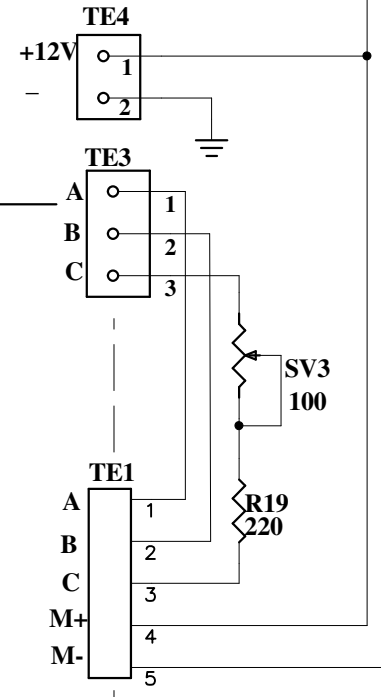
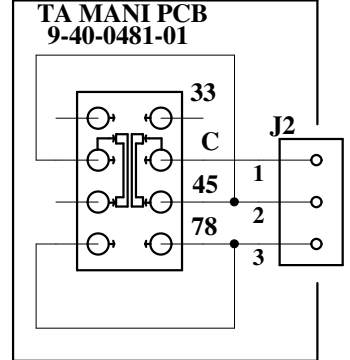
w/ ADC Zin = 30K
 low-end rolloff =
 -0.3dB @ 20Hz

CS4270 DAC Buffer Max Out = 9.17dBV
 Divider Av = -12.74dB
 w/ ADC Zin = 30K
 Divider Av = -13.37dB

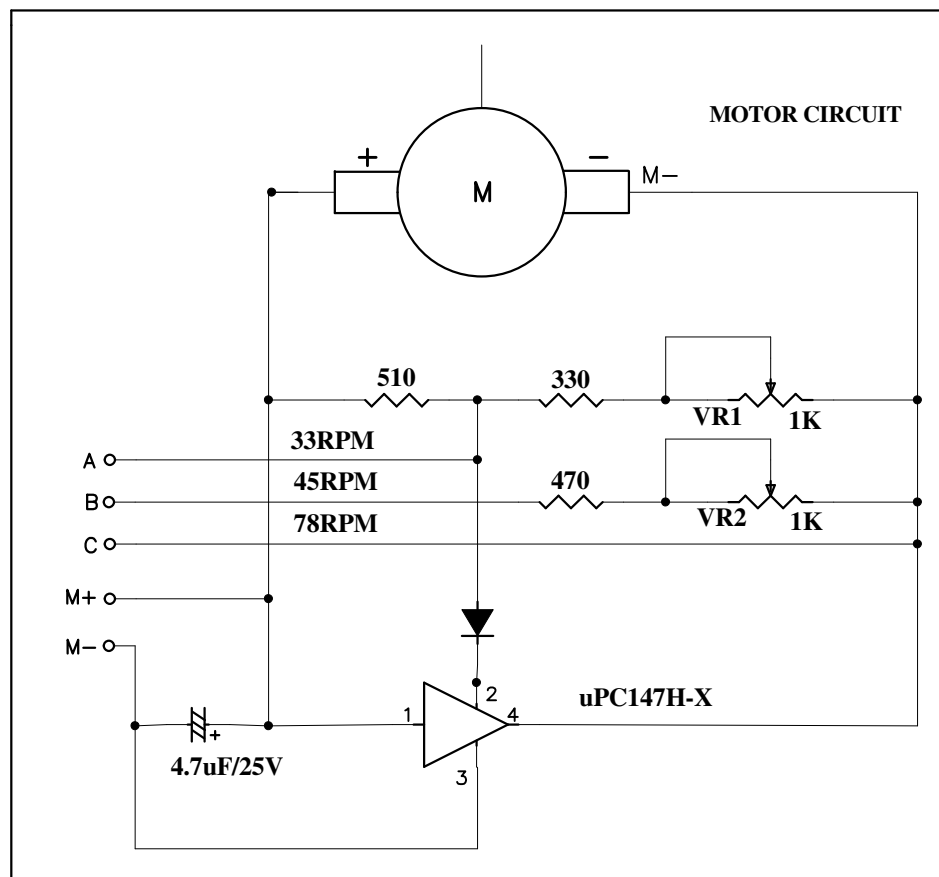
PCM2900 ADC MAX INPUT/DAC MAX OUTPUT
 0.6xVCCCI Vpp = 1.98Vpp
 approx. -3.10dBV

| | | | |
|--------------|----------------|--------|--------|
| COMPANY: | ION | | |
| TITLE: | iTC1 MAIN PCB | | |
| PART NUMBER: | 9-40-0480-B | | |
| ASSY NUMBER: | 9-79-0480-B-0 | | |
| FILENAME: | iTC1MNB01a.sch | SIZE: | C |
| SCALE: | | SHEET: | 3 OF 3 |

DRAWN: J. Kho
 DATED: 2008/03/14
 RELEASED:
 DATED:



ITC1 START P.C.B.PC07P004



| | | | | | |
|----------|-------|--------|-----|------|-------------------|
| APPROVAL | CHECK | DESIGN | REV | DATE | DESCRIP REVISIONS |
| | | | | | |

| | | |
|-------------------|---------------------------------|-------|
| ION | | |
| Title ITC1 | | |
| Size A3 | Number LED START ENCORD CIRUCIT | Rev 0 |
| Date 2007.10.19. | Drawn by | |
| Filename ITC1 SCH | Sheet of | |

6

5

4

3

2

1

D

C

B

A

D

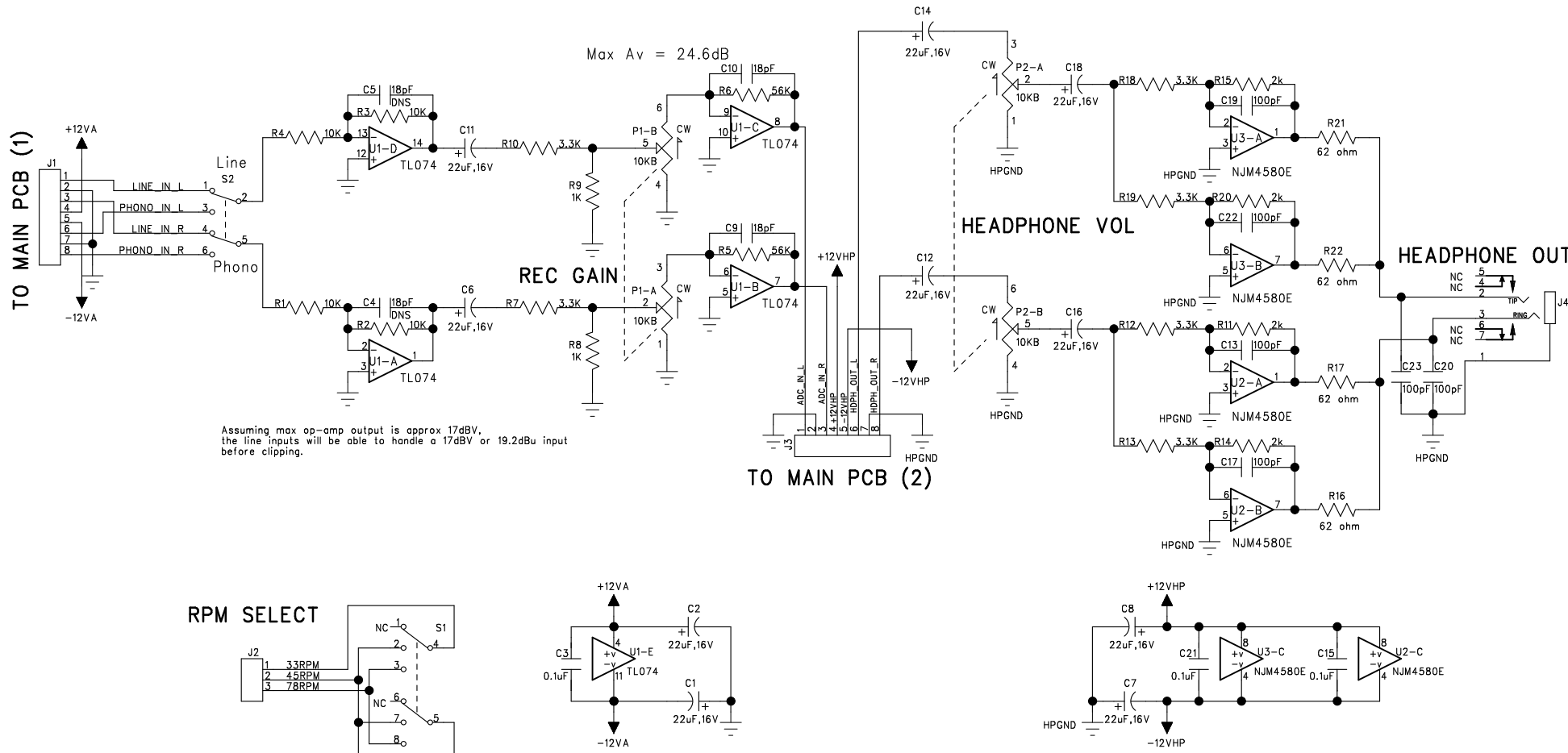
C

B

A

TO MAIN PCB (1)

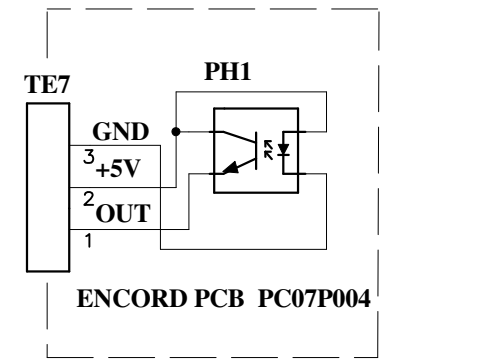
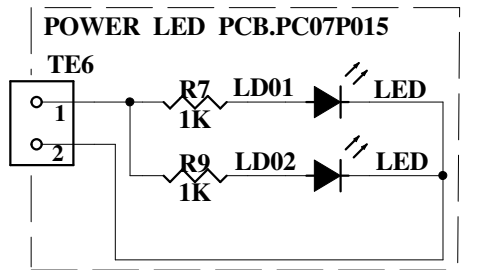
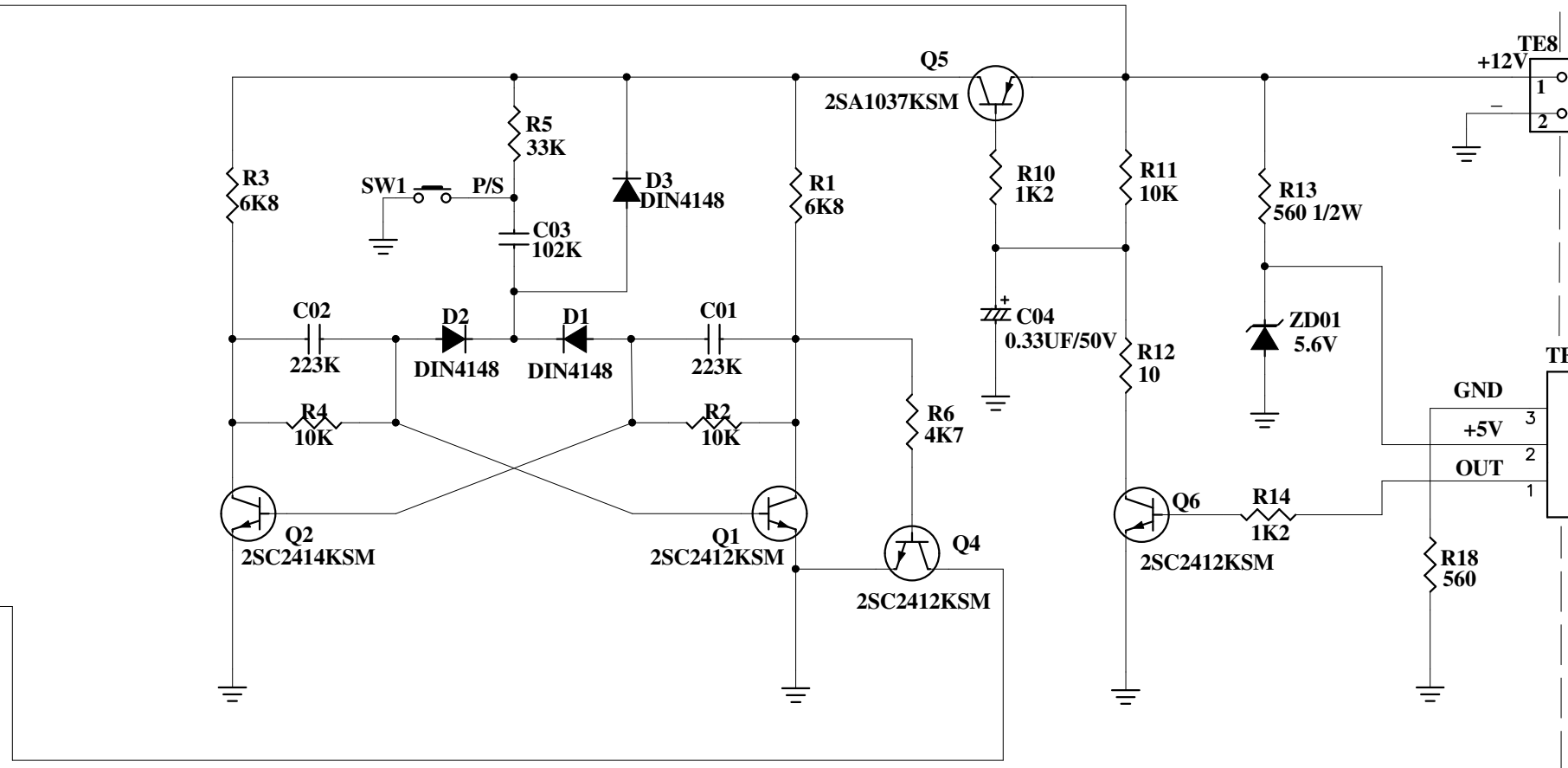
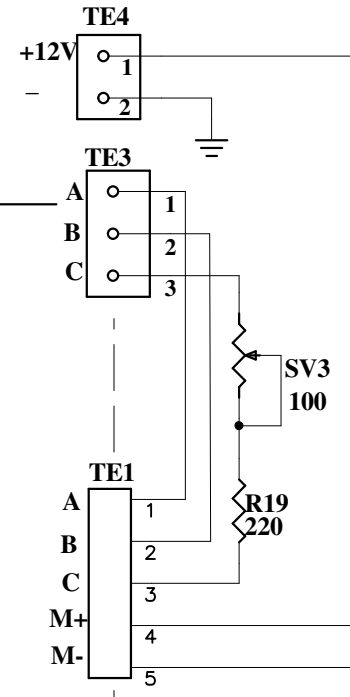
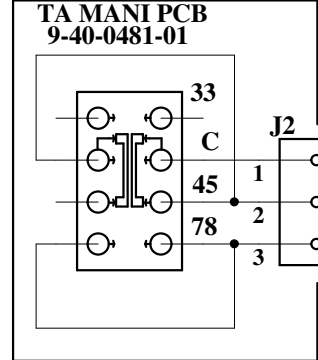
TO MAIN PCB (2)



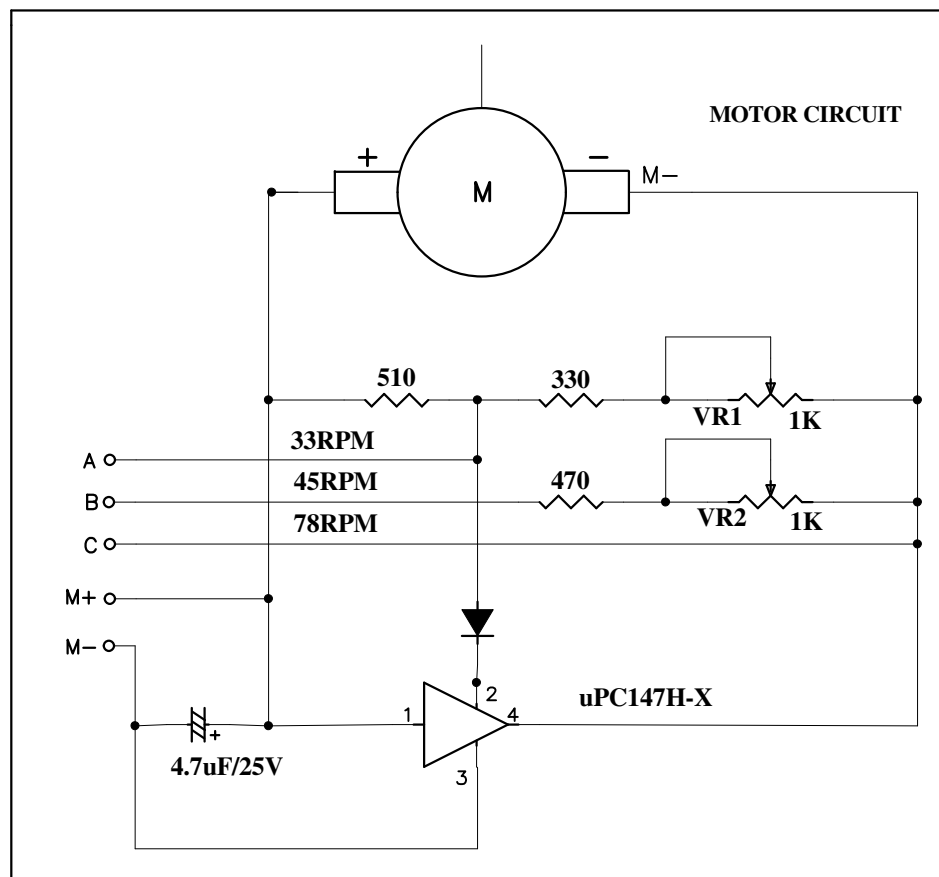
Assuming max op-amp output is approx 17dBV,
 the line inputs will be able to handle a 17dBV or 19.2dBu input
 before clipping.

| | | | |
|--------------|-----------------------------|--|---------------|
| COMPANY: | ION | | |
| TITLE: | ITC1 ANALOG FRONT PANEL PCB | | |
| PART NUMBER: | 9-40-0481-B | | |
| ASSY NUMBER: | 9-79-0481-B-0 | | |
| FILENAME: | ITC1TAB01a.sch | | SIZE: B |
| SCALE: | | | SHEET: 1 OF 1 |

| | | | |
|-----------|--------|--------|------------|
| DRAWN: | J. Kho | DATED: | 2008/02/25 |
| RELEASED: | | DATED: | |



ITC1 START P.C.B.PC07P004



| | | | | | |
|----------|-------|--------|-----|------|-------------------|
| APPROVAL | CHECK | DESIGN | REV | DATE | DESCRIP REVISIONS |
| | | | | | |

| | | |
|-------------------|---------------------------------|-------|
| ION | | |
| Title ITC1 | | |
| Size A3 | Number LED START ENCORD CIRUCIT | Rev 0 |
| Date 2007.10.19. | Drawn by | |
| Filename ITC1 SCH | Sheet of | |

LP2CD BOM

| LEVEL | P/N | DESCRIPTION | QTY | REF |
|-------|---------------|--|-----|-----|
| 1 | AL9-06-0020 | SPRING | 1 | 30 |
| 1 | BACD-W552G | CD-RW | 1 | 43 |
| 1 | BAGL-40A | CLIP | 2 | |
| 1 | BAGL-70L | CLIP | 2 | |
| 1 | BAUSBCD19 | USB CD V5.0 | 1 | |
| 1 | BE20705075B | BELT 207X5X0.75 | 1 | 50 |
| 1 | CA040218002 | USB CABLE 1.8M A/B BLACK | 1 | |
| 1 | CD47-1 | PHONO CORD | 1 | 103 |
| 1 | CL13001 | WIRE TIE | 1 | 88 |
| 1 | CN0100002102 | CONNECTOR | 2 | 89 |
| 1 | CN0320004501 | 3P CONNECTOR WIRE 450MM | 2 | 91 |
| 1 | CN0520000701 | PARALLEL WIRE 5P 70MM | 1 | 93 |
| 1 | CN0639601701 | FLAT CABLE 6PIN LENGTH 170MM MULTI-HEADER | 1 | 94 |
| 1 | CN1625401701 | FLAT CABLE 16PIN LENGTH 170MM MULTI-HEADER | 1 | 95 |
| 1 | CN4025401202 | Flat Cable ATA Type 20P*2 Pitch 2.54mm Dual Row Length 120mm Female/Female Head | 1 | 96 |
| 1 | CSB72 | CS RING (2MM) | 1 | 32 |
| 1 | FFC2410004001 | FFC 24Pin Pitch 1.0mm Length 400mm | 1 | 97 |
| 1 | JK7SC92 | AC SOCKET | 1 | 41 |
| 1 | K46-1 | CABLE TIE | 4 | |
| 1 | LAC67YAH261 | INDICATED LABEL(GREEN) | 1 | |
| 1 | LAP22ION29 | LABEL | 1 | |
| 1 | LAP54ION80 | LABEL | 1 | |
| 1 | LAP67ION90 | LABEL(UL) | 1 | |
| 1 | MEM09S12U15-6 | DC MOTOR | 1 | 79 |
| 1 | MT0704471 | FIXED MATER | 2 | 42 |
| 1 | MT3109501 | MOTOR PULLEY | 1 | 80 |
| 1 | MT3203508 | FIXED PLATE | 1 | 113 |
| 1 | MT320472101 | RCA PLATE | 1 | 84 |
| 1 | MT3540206 | METAL PLATE (ANTI SKATING) | 1 | 17 |
| 1 | MT3601314 | TO NEARM BASE SHAFT | 1 | 27 |
| 1 | MT361330601 | CUENG ROTATED SLEEVE | 1 | 11 |
| 1 | MT3630401 | METAL HINGE PLATE | 2 | 8 |
| 1 | NM0706118 | VELVET CARPET | 2 | 60 |
| 1 | NM3205113 | NEOPRENE MAT | 1 | |
| 1 | NP232ION04 | NAME PLATE (LCD) | 1 | 83 |
| 1 | NUT01060IIP | NUT | 1 | 5 |
| 1 | P2030501 | CUSHION,DUST COVER | 2 | 53 |
| 1 | PT0604423 | PROTECT FRAME | 1 | 62 |

LP2CD BOM

| LEVEL | P/N | DESCRIPTION | QTY | REF |
|-------|-----------------|---|-----|-----|
| 1 | PT0610628 | KNOB | 2 | 61 |
| 1 | PT0710676 | LED LAMP SHADE | 2 | 73 |
| 1 | PT11106114 | KNOB | 4 | 74 |
| 1 | PT200380101 | TONEARM ELEVATOR | 1 | 52 |
| 1 | PT3503604 | ARM HOOK | 1 | 28 |
| 1 | PT3513320 | OIL PRESSURE SHAFT | 1 | 14 |
| 1 | PT3513321 | OIL HEEL | 1 | 15 |
| 1 | PT3513322 | CUEING ACCESSORY FIXED | 1 | 12 |
| 1 | PT3601301 | PUSH ROD | 1 | 26 |
| 1 | PT3602203 | 45RPM ADAPTOR,PLATED PLASTIC | 1 | |
| 1 | PT360360101 | ARM REST | 1 | 29 |
| 1 | PT3630401 | PLASTIC FIX BASE | 2 | 6 |
| 1 | PT3630601 | PLASTIC CLIP HOLDER | 3 | 108 |
| 1 | PT3640201 | PLASTIC ROTATED SHAFT | 1 | 21 |
| 1 | PT3640202 | ANTI SKATING,ACCESSORY | 1 | 31 |
| 1 | PW63200UC01 | AC POWER SUPPLY CORD | 1 | |
| 1 | RN3050111 | C RING (5MM) | 1 | 2 |
| 1 | RU0610636 | RUBBER (TRANSPARENT FIXED BASE) | 1 | 77 |
| 1 | RU3503802 | CUSHION ELEVATOR | 1 | 57 |
| 1 | RU4109301 | CUSHION MOTOR | 3 | 81 |
| 1 | SC0306RACI | SCREW | 1 | 107 |
| 1 | SC0306RBNI | SCREW M3*6MM PRN TAPPING | 2 | 35 |
| 1 | SC0306RICI | SCREW M3*6MM PRZ | 6 | 22 |
| 1 | SC0308FBBI | SCREW M3x8mm PFB Tapping | 2 | 86 |
| 1 | SC0308RBNI | SCREW | 12 | 13 |
| 1 | SC0310RBNI | SCREW | 25 | 34 |
| 1 | SC0310WBNI | SCREW | 3 | 24 |
| 1 | SC0312RBNI | SCREW | 4 | 7 |
| 1 | SC0320RBNI | SCREW | 10 | 23 |
| 1 | SC2608RBZI | SCREW | 8 | 37 |
| 1 | SC2608W8IZI | SCREW | 3 | 82 |
| 1 | SC2611RINI | SCREW | 1 | 58 |
| 1 | SP2006405 | SPRING | 1 | 65 |
| 1 | SP3206408 | SPRING | 1 | 106 |
| 1 | SP3513325 | SPRING FOR ELEUATOR | 1 | 9 |
| 1 | SP3606403 | SPRING | 1 | 59 |
| 1 | SPSSNP9031-Y | SWITCHING POWER (INTERNAL) 5V/2A, 12V/1.5A,-12V/0.3A | 1 | 38 |
| 1 | UHA8FP635285063 | FLOAT CORE 160Ω 100MHZ 63.5*12.7MM | 1 | 112 |

LP2CD BOM

| LEVEL | P/N | DESCRIPTION | QTY | REF |
|----------|-------------------|---|----------|-----|
| 1 | WR112640032G2 | ISOLATION CABLE 8PIN SINGLE ROW WIRE LENGTH 400MM FEMALE/FEMALE | 2 | 87 |
| 1 | WS109506205M | WASHER | 1 | 100 |
| 1 | WS111006510IP | WASHER | 1 | 110 |
| 1 | WS112052025P | FLAT WASHER | 1 | 18 |
| 1 | WS411006412IC | WASHER | 1 | 114 |
| | | | | |
| 1 | MT320520501 | PLATTER | 1 | 49 |
| 2 | MT3205205 | PLATTER | 1 | |
| | | | | |
| 1 | PITC1ION01 | PACK ASS'Y | 1 | |
| 2 | CB310D001 | SEPARATE WALL | 1 | |
| 2 | CB313S025 | SEPARATE WALL | 1 | |
| 2 | CB313S026 | SEPARATE WALL | 1 | |
| 2 | CGITC1513ION02 | INNER BOX | 1 | |
| 2 | CTITC513ION01 | OUT BOX (555X458X263) | 1 | |
| 2 | GEION17 | INSTALL FLYER EZVC | 1 | |
| 2 | LA62GMN37 | DATE LABEL | 1 | |
| 2 | LAC47YH211 | INSTRUCTION LABEL | 1 | |
| 2 | LAC53MAR57 | LABEL(FCC) | 1 | |
| 2 | LAP62ION32 | BARCODE LABEL | 2 | |
| 2 | OP32ION19 | OPERATION MANUAL(SAFETY) | 1 | |
| 2 | OPITC1ION02 | INSTRUCTIONS BOOK | 1 | |
| 2 | OPTTX3MAR02 | OPERATION MANUAL(V2) | 1 | |
| 2 | PE060930BO | PLASTIC BAG | 5 | |
| 2 | PE150350BO | PLASTIC BAG | 1 | |
| 2 | PE230370402B07 | PLASTIC BAG | 1 | |
| 2 | PE360400404B07 | PLASTIC BAG | 1 | |
| 2 | PE5161304RHP | PLASTIC BAG | 1 | |
| 2 | PLITC1001 | POLY FOAM | 1 | |
| 2 | PLITC1002 | POLY FOAM | 1 | |
| 2 | SD560150 | SOFT SHEET | 2 | |
| | | | | |
| 1 | PT060292701 | DECK FRONT PANEL | 1 | 63 |
| 2 | PT0602927 | DECK FRONT PANEL | 1 | |
| | | | | |
| 1 | PT061072102 | KNOB(POWER) | 1 | 76 |
| 2 | PT0610721 | KNOB(POWER) | 1 | |
| | | | | |
| 1 | PT070291801 | PLATE SPRAY PAINT | 1 | 64 |

LP2CD BOM

| LEVEL | P/N | DESCRIPTION | QTY | REF |
|----------|----------------------|--|----------|-----------|
| 2 | PT0702918 | PLATE | 1 | |
| 1 | PT0710620401 | KNOB PRINTED | 1 | 66 |
| 2 | PT07106204 | KNOB | 1 | |
| 1 | PT0710620402 | KNOB PRINTED | 1 | 67 |
| 2 | PT07106204 | KNOB | 1 | |
| 1 | PT0710620403 | KNOB PRINTED | 1 | 68 |
| 2 | PT07106204 | KNOB | 1 | |
| 1 | PT0710620404 | KNOB PRINTED | 1 | 69 |
| 2 | PT07106204 | KNOB | 1 | |
| 1 | PT0710620405 | KNOB PRINTED | 1 | 70 |
| 2 | PT07106204 | KNOB | 1 | |
| 1 | PT0710620406 | KNOB PRINTED | 1 | 71 |
| 2 | PT07106204 | KNOB | 1 | |
| 1 | PT0710620407 | KNOB PRINTED | 1 | 72 |
| 2 | PT07106204 | KNOB | 1 | |
| 1 | PT3513323 | LEVER CUEING | 1 | 10 |
| 2 | MT3513325 | LEVER SHAFT CUEING | 1 | |
| 1 | PT354010105 | ANTI-SKATING,PRINTING | 1 | 16 |
| 2 | PT354010101 | ANTI-SKATING KNOB | 1 | |
| 1 | TWAL9-44-0010 | LCD ASS'Y | 1 | 55 |
| 2 | AL9-44-0010 | LCM ASS'Y | 1 | |
| 2 | TE522501601 | Pin Header 90° Pitch 2.0mm Single Row 16Pin DIP | 1 | |
| 1 | TWCD6027 | POWER SWITCH ASS'Y | 1 | 56 |
| 2 | CD60 | Switch Power Push Single Row | 1 | |
| 2 | DWN105001 | CONNECTOR WIRE 500MM | 1 | |
| 2 | DWZ304002 | DUAL ISOLATION CABLE LENGTH 400MM 3PIN PITCH 3.96MM | 1 | |
| 2 | HST050015BUL | HEAT-SHRINKABLE TUBE 5X15MM | 2 | |
| 2 | K46-1 | CABLE TIE | 5 | |

LP2CD BOM

| LEVEL | P/N | DESCRIPTION | QTY | REF |
|----------|----------------------|------------------------------|----------|-----------|
| 2 | UHRI28X75X18 | ROUND PLATE | 1 | |
| | | | | |
| 1 | TWMT320030109 | HEADSHELL ASS'Y (ION) | 1 | |
| 2 | CR2802 | CARTRIDGE | 1 | |
| 2 | M216 | ARM WIRE | 1 | |
| 2 | M217 | ARM WIRE | 1 | |
| 2 | M218 | ARM WIRE | 1 | |
| 2 | M219 | ARM WIRE | 1 | |
| 2 | MT320030106 | HEAD SHELL | 1 | |
| 2 | NUT0526IHA | NUT | 2 | |
| 2 | PST020010TYH | TUBE | 4 | |
| 2 | RU3900701 | WASHER (T:0.8M/M) | 1 | |
| 2 | SC26115PIHA | SCREW CARTRIDGE | 2 | |
| 2 | TWM3500701P | STUD | 1 | |
| 3 | M3500701P | BRONZE SLEEVE | 1 | |
| 3 | MT350070301 | STUD | 1 | |
| 3 | PT390070301 | CARTRIDGE PLATE | 1 | |
| 4 | MT390070801 | STUD | 4 | - |
| 2 | WS052505P | WASHER | 2 | |
| | | | | |
| 1 | TWMT350560404 | SPINLE ASS'Y | 1 | 54 |
| 2 | SC0204BIPI | SCREW | 1 | |
| 2 | SK8 | LUG | 1 | |
| 2 | TWMT300550602 | SHAFT AND BRASS ASS'Y | 1 | |
| 3 | ERE76 | E RING 6MM | 1 | |
| 3 | MT3005506 | SHAFT | 1 | |
| 3 | MT320560201 | BRASS SLEEVE | 1 | |
| 2 | TWMT350560401 | SPINDLE ASS'Y | 1 | |
| 3 | ERE710 | 10MM E RING | 1 | |
| 3 | MT3005607 | BRONZE SLEEVE (SPINLE) | 1 | |
| 3 | MT3505604 | CABINET METAL BOARD | 1 | |
| 3 | WS080010NW | WASHER | 1 | |
| 3 | WS100010SS | WASHER | 1 | |
| 2 | WS2402205IN | WASHER SPRING 2MM | 1 | |
| | | | | |
| 1 | TWMT3601608 | COUNTERWEIGHT,PLATED | 1 | |
| 2 | MT3601608 | COUNTERWEIGHT,PLATED | 1 | |
| 3 | MT3601607 | COUNTERWEIGHT,PLATED | 1 | |
| 2 | PT36016011 | COUNTERWEIGHT | 1 | |
| 3 | PT3601601 | COUNTERWEIGHT | 1 | |

LP2CD BOM

| LEVEL | P/N | DESCRIPTION | QTY | REF |
|-------|---------------------|--|----------|---|
| 1 | TWPC07C00701 | MAIN PCB ASS'Y | 1 | 39 |
| 2 | AL0-17-0470 | RES ARRAY 4X47 1/10W 0603 | 32 | R76,83~88,102,103,105,106, R109~118,133,134,138,140~143, R147,148,152,153 |
| 2 | AL1-08-0223 | ELECT 220UF/16V | 2 | C144,151 |
| 2 | AL1-61-0221 | CCAP SMD 220PF/50V 5% 0603 NPO | 2 | C51,65 |
| 2 | AL1-62-0104 | CCAP SMD 0.1UF/50V 10% 0603 X7R | 90 | C1,2,10~12,14,19,25,35,37,38,44~46, C55,57,69,70,74~92,94~100,102~120 C122~130,132,133,136,137,139~143, C145~150,152~154 |
| 2 | AL1-62-0105 | CCAP SMD 1UF/10V 10% 0603 X5R | 16 | C20,27,29,30,34,39,41,42,47,50, C54,56,62,66,72,73 |
| 2 | AL2-50-4149 | DIODE SIGNAL 1N4148 100V 200mA SOT-23 | 2 | D1,2 |
| 2 | AL2-51-4401 | TRANS NPN 2N4401 40V 1A SOT-23 | 4 | Q2,8,9,12 |
| 2 | AL2-51-4403 | TRANS PNP 2N4403 40V 800mA SOT-23 | 5 | Q1,5~7,11 |
| 2 | AL2-54-2114 | TRANSISTOR 2SD2114K | 2 | Q3,4 |
| 2 | AL2-62-1004 | IC AHCU04 | 1 | U6 |
| 2 | AL2-64-5245 | IC 74LVC16245A 16-BIT BUS TRANSCEIVER W/TRI-STATE OUTS 48-PIN TSSOP | 1 | U14 |
| 2 | AL2-66-6160 | IC | 2 | U9,11 |
| 2 | AL2-70-1067 | IC ADSP-21065L | 1 | U10 |
| 2 | AL2-71-0074 | IC TL074 QUAD OPAMP SOP-14 | 2 | U1,5 |
| 2 | AL2-71-4580 | IC NJM4580E | 1 | U2 |
| 2 | AL2-79-1818 | IC DS1818 | 1 | U8 |
| 2 | AL4-08-0402 | CON USB 4-PIN FEMALE PC-MNT HORIZONTAL | 1 | J1 |
| 2 | AL4-14-4002 | HEADER DIL 40-PIN 0.1 MALE SHRD BLUE (ATA - PIN 20 N/C) | 1 | (J10) |
| 2 | AL7-01-0023 | CRYSTAL 11.2896MHZ | 1 | X2 |
| 2 | AL7-01-0046 | CRYSTAL 12 MHz PARALLEL 18pF SMD HC-49/UP | 1 | X1 |
| 2 | CS101J5003NPO | CCAP SMD 100pF/50V 5% 0603 NPO | 8 | C6,7,9,15,16,18,67,68 |
| 2 | CS102J5003NPO | CCAP SMD 1nF/50V 5% 0603 NPO | 4 | C4,13,21,22 |
| 2 | CS152J5005NPO | CCAP SMD 1.5nF/50V 5% 0805 NPO | 2 | C48,49 |
| 2 | CS180J5003NPO | CCAP SMD 18pF/50V 5% 0603 NPO | 4 | C26,43,63,64 |
| 2 | CS472J5005NPO | CCAP SMD 4.7nF/50V 5% 0805 NPO | 2 | C52,53 |
| 2 | EC22616TS | E.CAP 22UF/16V(MINI) | 18 | C3,5,28,31~33,36,40,58~61,71,121, C131,134,135,138 |
| 2 | FCN1S1002403 | FCN DUAL CONTACT 180° PITCH 1.0MM 24P | 1 | (J7) |
| 2 | IC74AHC245PW | IC SN74AHC245PWR OCTAL BUS TRANSCEIVERS | 1 | U13 |
| | | WITH 3-STATE OUTPUT TSSOP20 | | |
| 2 | IC7805L | I.C.78L05 | 1 | U16 |

LP2CD BOM

| LEVEL | P/N | DESCRIPTION | QTY | REF |
|-------|-----------------|--|-----|--|
| 2 | ICBA033T | I.C. BA033T | 1 | U12 |
| 2 | ICCS4270-CZZR | IC CS4270-CZZR TSSOP-24 | 1 | U7 |
| 2 | ICPCM2900E | IC PCM2900E | 1 | U4 |
| 2 | ICYHFRC104 | IC(AL2-69-8000) | 1 | U15 |
| 3 | AL2-69-8000 | IC FLASH-ROM 8M-bit 1024Kx8 512Kx16 70nS | 1 | - |
| 2 | ICYHFRC105 | IC(ICLC4032V-TN48C) | 1 | U17 |
| 3 | ICLC4032V-TN48C | IC LC4032V-75TN48C TQFP-48 | 1 | - |
| 2 | JK0CF07N400L1-3 | CF CARD HEADER TYPE 1 NORMAL STANDOFF 1.65MM | 1 | (J11) |
| 2 | M0104420 | FRAME | 2 | - |
| 2 | MT1101810 | GRPIMD CPMTACT SLICE | 1 | (J2) |
| 2 | OTGU261G | CF CARD (1G) | 1 | (J11) |
| 2 | PC07C007 | MAIN PCB 4 LAYER FR-4, 1.6T 130*141mm | 1 | - |
| 2 | RJ1107-09 | RCA BASE 4P | 1 | J2 |
| 2 | RS00010J03 | RES 0Ω 5% SMD 0603 | 2 | R13,16 |
| 2 | RS10110J03 | RES 100Ω 5% SMD 0603 | 5 | R10,12,25,28,90 |
| 2 | RS10210J03 | RES 1K 5% SMD 0603 | 14 | R17,18,30,32,55,60,62,65~67,79, R80,146151 |
| 2 | RS10310J03 | RES 10K 5% SMD 0603 | 33 | R5,14,19,29,31,36,38~43,51,53,64, R74,7578,81,82,91,92,96~98, 100, R101,104,107108,121,122,145 |
| 2 | RS10510J03 | RES 1M 5% SMD 0603 | 4 | R1,2,46,70 |
| 2 | RS15210J03 | RES 1.5K 5% SMD 0603 | 1 | R22 |
| 2 | RS15310J03 | RES 15K 5% SMD 0603 | 2 | R15,20 |
| 2 | RS20310J03 | RES 20K 5% SMD 0603 | 6 | R3,9,27,34,50,52 |
| 2 | RS22010J03 | RES 22Ω 5% SMD 0603 | 2 | R21,23 |
| 2 | RS30210J03 | RES 3K 5% SMD 0603 | 2 | R49,61 |
| 2 | RS36310J03 | RES 36K 5% SMD 0603 | 2 | R11,26 |
| 2 | RS39210J03 | RES 3K9 5% SMD 0603 | 2 | R63,72 |
| 2 | RS39310J03 | RES 39K 5% SMD 0603 | 4 | R6,8,24,37 |
| 2 | RS47010J03 | RES 47Ω 5% SMD 0603 | 3 | R89,99,144 |
| 2 | RS47110J03 | RES 470Ω 5% SMD 0603 | 4 | R71,120,131,137 |
| 2 | RS47210J03 | RES 4.7K 5% SMD 0603 | 1 | R94 |
| 2 | RS56210J03 | RES 5.6K 5% SMD 0603 | 2 | R149,150 |
| 2 | RS56310J03 | RES 56K 5% SMD 0603 | 13 | R4,7,33,35,44,45,47,48,56,59,68,69,77 |
| 2 | RS68410J03 | RES 680K 5% SMD 0603 | 3 | R54,57,58 |
| 2 | SC0306RIBI | SCREW M3*6MM PRB | 2 | - |
| 2 | TE612000801 | CONNECTOR 8P 180° | 2 | (J3,4) |
| 2 | TE612500401 | TERMINAL 4P 180° SOCKET | 1 | (J5) |
| 2 | TE613960601 | CONNECTOR 6P 180 | 1 | (J9) |

LP2CD BOM

| LEVEL | P/N | DESCRIPTION | QTY | REF |
|----------|---------------------|---|----------|-------------------------|
| 2 | UH11-2012-102T | BEAD(SMD) | 6 | FB1~6 |
| 2 | UH201209T-600Y | BEAD 60Ω±25% 3A 0805 | 2 | L1,3 |
| 2 | UHFS4W1010-331K | CAPACITOR 330UH | 2 | L2,4 |
| 2 | XTM33333O1F1-1 | CRYSTAL OSCILLATOR 33.3333MHZ SMD FUNDAMENTAL | 1 | X3 |
| | | | | |
| 1 | TWPC07C00901 | FUNCTION PCB ASS'Y | 1 | 36 |
| 2 | AL0-17-0331 | RES ARRAY 4X330Ω1/10W 0603 | 1 | R31 |
| 2 | AL0-17-0470 | RES ARRAY 4X47 1/10W 0603 | 6 | R38~41,54,55 |
| 2 | AL1-62-0104 | CCAP SMD 0.1UF/50V 10% 0603 X7R | 3 | C20~22 |
| 2 | AL2-50-4149 | DIODE SIGNAL 1N4148 100V 200mA SOT-23 | 11 | D1~11 |
| 2 | AL2-63-0541 | IC 74AHCT541 SOIC-20 | 1 | U1 |
| 2 | AL3-02-0013 | LED YELLOW | 1 | LED2 |
| 2 | AL3-02-0014 | LED RED | 1 | LED1 |
| 2 | AL3-02-0021 | LED GREEN | 2 | LED3,4 |
| 2 | EC22616TS | E.CAP 22UF/16V(MINI) | 2 | C11,24 |
| 2 | FCN1R1002403 | FCN DUAL CONTACT 90°PITCH 1.0MM 24P | 1 | (J2) |
| 2 | IC74AHCT245DWR | IC SN74AHCT245DWR SOP-20 | 1 | U6 |
| 2 | IC74AHCT574DWR | IC SN74AHCT574DWR SOP-20 | 1 | U5 |
| 2 | PC07C009 | FUNCTION DIGITAL PCB 2LAYER FR-4, 1-6T 60*253mm | 1 | - |
| 2 | PT01104807 | LED FIXED BASE 4.8X7MM | 4 | (LED1~4) |
| 2 | RS10210J03 | RES 1K 5% SMD 0603 | 1 | R17 |
| 2 | RS10310J03 | RES 10K 5% SMD 0603 | 3 | R9,19,25 |
| 2 | RS47310J03 | RES 47K 5% SMD 0603 | 1 | R30 |
| 2 | RS75010J03 | RES 75Ω 5% SMD 0603 | 1 | R27 |
| 2 | SWSFKHVBD3515 | SWITCH TACT STEM HIGHT:5MM,OPERATING ORCE:100G VERTICAL DIP | 11 | S2~12 |
| 2 | TE10200702 | CONNECTOR(7P SOCKET 90° 2.0MM) | 1 | (J3) |
| 2 | TE612000901 | CONNECTOR 9P 180° | 1 | (J4) |
| | | | | |
| 1 | TWPC07C03201 | FUNCTION ANALOG PCB ASS'Y | 1 | 40 |
| 2 | AL1-62-0104 | CCAP SMD 0.1UF/50V 10% 0603 X7R | 3 | C3,15,21 |
| 2 | AL2-71-0074 | IC TL074 QUAD OPAMP SOP-14 | 1 | U1 |
| 2 | AL2-71-4580 | IC NJM4580E | 2 | U2,3 |
| 2 | CS101J5003NPO | CCAP SMD 100pF/50V 5% 0603 NPO | 6 | C13,17,19,20,22,23 |
| 2 | CS180J5003NPO | CCAP SMD 18pF/50V 5% 0603 NPO | 2 | C9,10 |
| 2 | EC22616TS | E.CAP 22UF/16V(MINI) | 10 | C1,2,6~8,11,12,14,16,18 |
| 2 | JK3562-01-070 | HEADPHONE | 1 | J4 |
| 2 | PC07C032 | FUNCTION ANALOG PCB 2LAYER FR-4, 1-6T 44*109MM | 1 | - |

LP2CD BOM

| LEVEL | P/N | DESCRIPTION | QTY | REF |
|----------|---------------------|--|----------|-------------------|
| 2 | RS10210J03 | RES 1K 5% SMD 0603 | 2 | R8,9 |
| 2 | RS10310J03 | RES 10K 5% SMD 0603 | 4 | R1~4 |
| 2 | RS20210J03 | RES 2K 5% SMD 0603 | 4 | R11,14,15,20 |
| 2 | RS33210J03 | RES 3.3K 5% SMD 0603 | 6 | R7,10,12,13,18,19 |
| 2 | RS56310J03 | RES 56K 5% SMD 0603 | 2 | R5,6 |
| 2 | RS62018J05 | RES 62Ω 5% SMD 0805 | 4 | R16,17,21,22 |
| 2 | SWSSE-22E16-11K | SWITCH SLIDE DPDT | 1 | S2 |
| 2 | SWSSHP23-14K | SWITCH SLIDE DP3T | 1 | S1 |
| 2 | TE622000302 | Pin Header 90° Pitch:2.00mm Single Row 3P DIP | 1 | (J2) |
| 2 | TE622000801 | TERMINAL 8P 90° | 2 | (J1,3) |
| 2 | VRR10302008 | POTENTIOMETER ROTARY VOLUME:10K1BX2 SHAFT | 2 | P1,2 |
| | | | | |
| 1 | TWPC07P00401 | START PCB ASS'Y | 1 | 48 |
| 2 | CS102K5005X7R | CCAP SMD 1nF/50V 10% 0805 X7R | 1 | C3 |
| 2 | CS104Z5005Y5V | CCAP SMD 0.1uF/50V +80/-20% 0805 Y5V | 3 | C4,5,6 |
| 2 | CS223K5005X7R | CCAP SMD 0.022uF/50V 10% 0805 X7R | 2 | C1,2 |
| 2 | DIENLL4148SM | DIODE SMD ENLL4148SM | 4 | D1,2,3,5 |
| 2 | DIZD5110 | ZENER DIODE (5.1V) | 1 | ZD01 |
| 2 | PC07P004 | START PCB | 1 | - |
| 2 | R56112 | RES 560Ω 1/2W | 1 | R13 |
| 2 | RS10118J05 | RES 100Ω 5% SMD 0805 | 1 | R14 |
| 2 | RS10318J05 | RES 10K 5% SMD 0805 | 4 | R2,4,10,11 |
| 2 | RS27118J05 | RES 270Ω 5% SMD 0805 | 1 | R19 |
| 2 | RS33118J05 | RES 330Ω 5% SMD 0805 | 1 | R18 |
| 2 | RS33318J05 | RES 33K 5% SMD 0805 | 1 | R5 |
| 2 | RS47218J05 | RES 4.7K 5% SMD 0805 | 2 | R6,12 |
| 2 | RS68218J05 | RES 6.8K 5% SMD 0805 | 2 | R1,3 |
| 2 | SV10105 | SEMI-FIXED RESISTORS 7.4MM*5MM*6.6MM | 1 | VR3 |
| 2 | SWTS121209 | SWITCH (JTM-1101A) | 1 | SW1 |
| 2 | TE10200502 | CONNECTOR(5P SOCKET)180° | 1 | TE1 |
| 2 | TE612000202 | TERMINAL 2P 2.0 180° | 1 | TE8 |
| 2 | TE612000301 | Pin Header 180° Pitch:2.00mm Single Row 3P DIP | 2 | TE2,5 |
| 2 | TE613960201 | CONNECTOR 2P 180 | 1 | TE4 |
| 2 | TR2SC2412KSM | TRANSISTOR (536) | 6 | Q1,2,3,4,5,6 |
| | | | | |
| 1 | TWPC07P01601 | ED CORD PCB ASS'Y | 1 | 25 |
| 2 | PC07P016 | ED CORD PCB | 1 | |

LP2CD BOM

| LEVEL | P/N | DESCRIPTION | QTY | REF |
|----------|----------------------|--|----------|------------|
| 2 | TWPC07P016B01 | POWER LED PCB ASS'Y | 1 | 78 |
| 3 | BALE48201-5A | LED FIXED 1.5MM | 2 | LD01,02 |
| 3 | CN0220000801 | CONNECTOR 2P 80MM | 1 | (TE6) |
| 3 | LD-005K6CS | LED BLUE | 2 | LD01,02 |
| 3 | R10216 | RES 1KΩ1/16W | 2 | R7,9 |
| 3 | TE812000211 | Pin Header 180° Pitch:2.00mm Single Row 2P DIP | 1 | TE6 |
| | | | | |
| 1 | TWPC08P01501 | SENSOR PCB ASS'Y | 1 | |
| 2 | DIPH574 | PHOTO SENSOR | 1 | PH1 |
| 2 | PC08P015 | SENSOR PCB | 1 | - |
| 2 | TE612000301 | Pin Header 180° Pitch:2.00mm Single Row 3P DIP | 1 | TE7 |
| | | | | |
| 1 | TWPT073027501 | CABINET ASS'Y | 1 | |
| 2 | MT200110202 | COLLAR | 1 | 3 |
| 2 | MT3603801 | METAL BRASS | 1 | 47 |
| 2 | PT073027501 | CABINET SPRAY PAINT & PRINT | 1 | 46 |
| 3 | PT0730275 | CABINET | 1 | |
| | | | | |
| 1 | TWPT073032401 | BOTTOM ASS'Y | 1 | |
| 2 | NUT0106ICI | 6M/M NUT | 4 | 20 |
| 2 | PT073032401 | BOTTOM SPRAY PAINT | 1 | 44 |
| 3 | PT0730324 | BOTTOM | 1 | |
| 2 | PT3530604 | PLASTIC STAND COVER | 4 | 85 |
| | | | | |
| 1 | TWPT073060302 | FOOT ASS'Y | 4 | 45 |
| 2 | NM0730601 | RUBBER FOOT | 4 | |
| 2 | PT073060301 | BOTTOM CHASSIS | 4 | |
| 2 | RU3530604 | RUBBER STAND | 4 | |
| 2 | SP3530606 | SPRING,STAND | 4 | |
| | | | | |
| 1 | TWPT353040502 | HINGE ASS'Y | 2 | 105 |
| 2 | BH304-1B | HINGE PLASTIC | 2 | |
| 2 | MT2030401 | HINGE STUD | 2 | |
| 2 | P3530405 | PLASTIC HINGE | 2 | |
| 2 | SA304-6 | PLASTIC,HINGE | 2 | |
| 2 | SP3706402 | SPRING | 2 | |
| | | | | |
| 1 | TWPT360111105 | TONARM BASE ASS'Y | 1 | 1 |

LP2CD BOM

| LEVEL | P/N | DESCRIPTION | QTY | REF |
|----------|--------------------|-----------------------------|----------|------|
| 2 | MT360100501 | SPRING PLATE(COUNTER WEIGH) | 1 | |
| 2 | MT360110701 | ARM | 1 | |
| 2 | MT390100301 | LUG | 1 | |
| 2 | PA1100502E | TONEARM ASS'Y | 1 | |
| 3 | B7-10 | IRON WASHER | 1 | |
| 3 | MT350070102 | STUD HEADSHELL | 1 | |
| 3 | MT350090405 | ARM TUBE | 1 | |
| 4 | MT350090402 | ALUMINUM PIPE | 1 | |
| 5 | MT350090401 | ALUMINUM PIPE | 1 | |
| 3 | SC0202RINI | SCREW | 1 | |
| 3 | TWB7-312 | ASS'Y | 1 | |
| 4 | B7-3 | BRONZE SLEEVE PLASTIC | 1 | 14~5 |
| 5 | B7-2 | BRONZE SLEEVE | 1 | - |
| 4 | B7-5 | SPRING | 4 | 14~6 |
| 4 | MT3500704 | STUD(SHORT) | 4 | 14~7 |
| 4 | TWWR003625001 | WIRE ASS'Y | 1 | |
| 5 | WR0036250A1 | WIRE BLUE 250MM | 1 | |
| 5 | WR0036250E1 | WIRE 250MM | 1 | |
| 5 | WR0036250R1 | WIRE RED 250MM | 1 | |
| 5 | WR0036250W1 | WIRE 250MM | 1 | |
| 3 | WR093208010B | ARM WIRE 80MM | 1 | |
| 3 | WS2402205IN | WASHER SPRING 2MM | 1 | |
| 2 | PT360111102 | ARM BASE | 1 | |
| 3 | PT360111101 | ARM BASE | 1 | |
| 2 | SC0203PAPI | SCREW | 1 | |
| 2 | SC2605RBNI | SCREW | 1 | |
| 2 | SK8 | LUG | 1 | |
| 2 | TWMT360110904 | ARM FIXED METAL ASS'Y | 1 | |
| 3 | MT200110402 | DAMP IRON BAR | 1 | |
| 3 | SC1703BINI | SCREW | 1 | |
| 3 | TWMT360110903 | ARM FIXED METAL | 1 | |
| 4 | MT360110901 | METAL PLATE | 1 | |
| 4 | MT3601114 | TONEARM SHAFT | 1 | |
| 2 | WR093208010B | ARM WIRE 80MM | 2 | |
| | | | | |
| 1 | TWPT3602402 | LINK RETURN ASS'Y | 1 | |
| 2 | PT3602402 | SWITCH PLATE | 1 | |
| 2 | SC0312RBNI | SCREW | 1 | |
| 2 | SP3202401 | SPRING | 1 | |
| | | | | |

