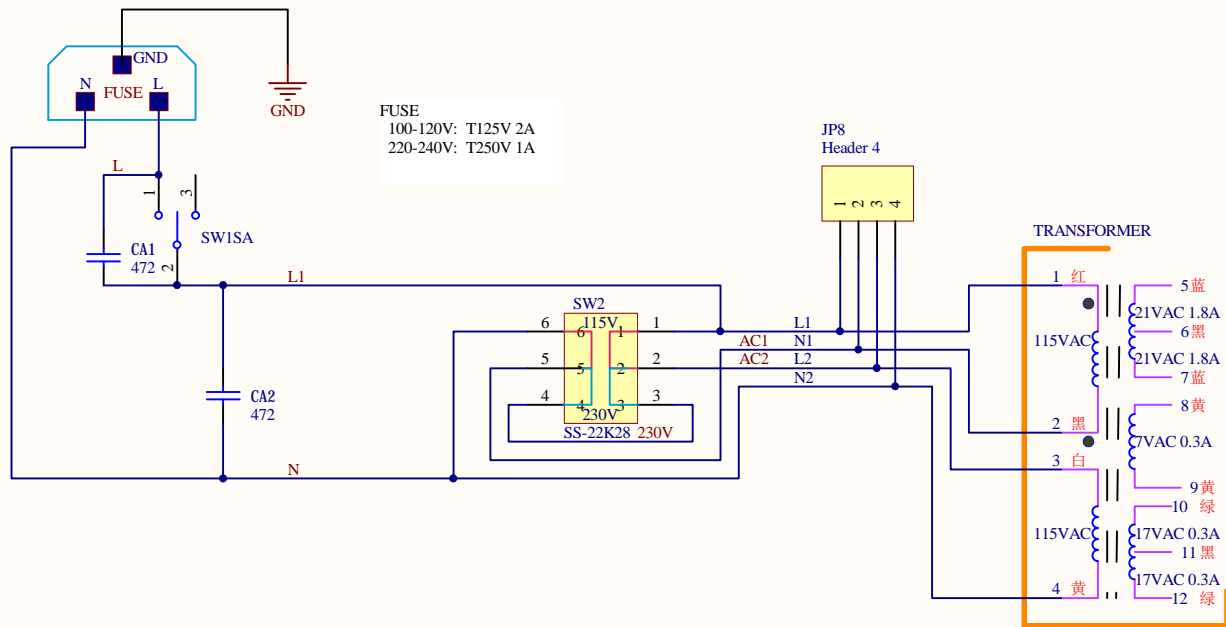
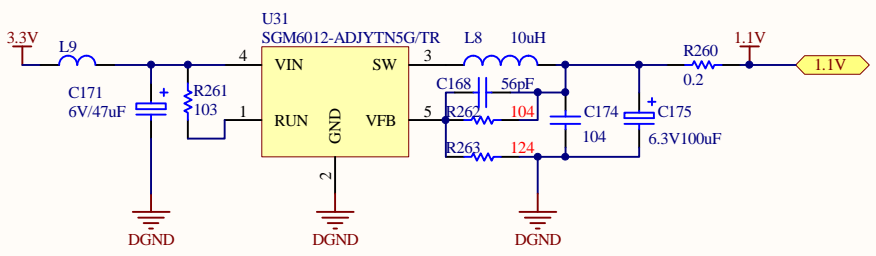
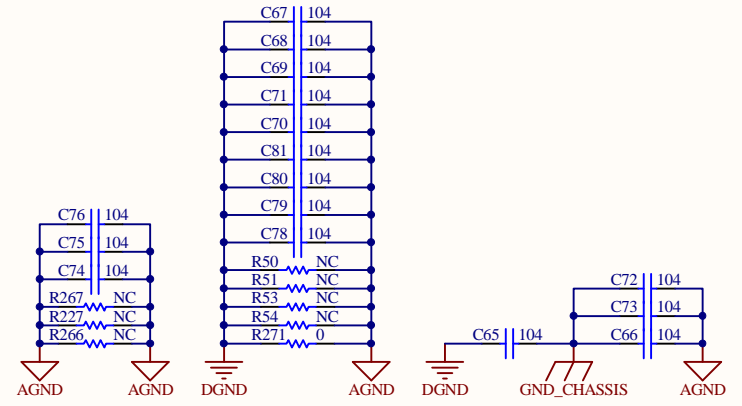
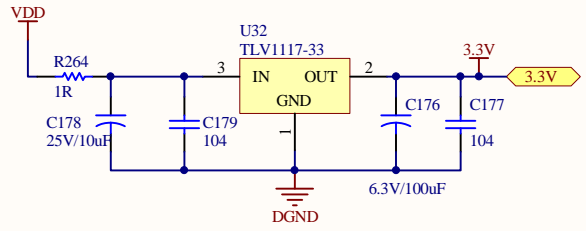
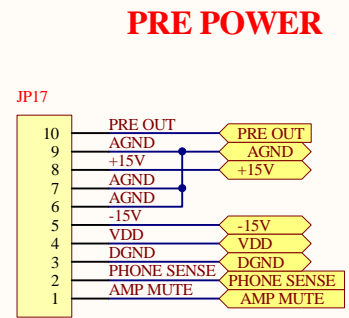
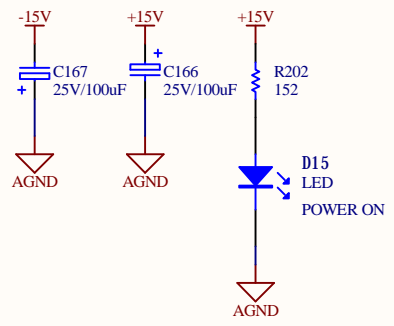
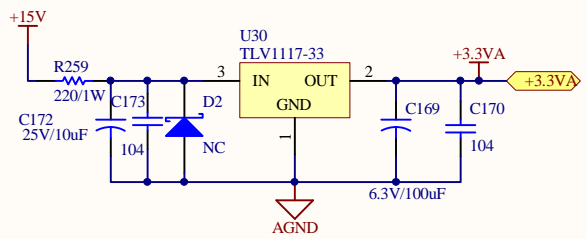


JACK BOARD

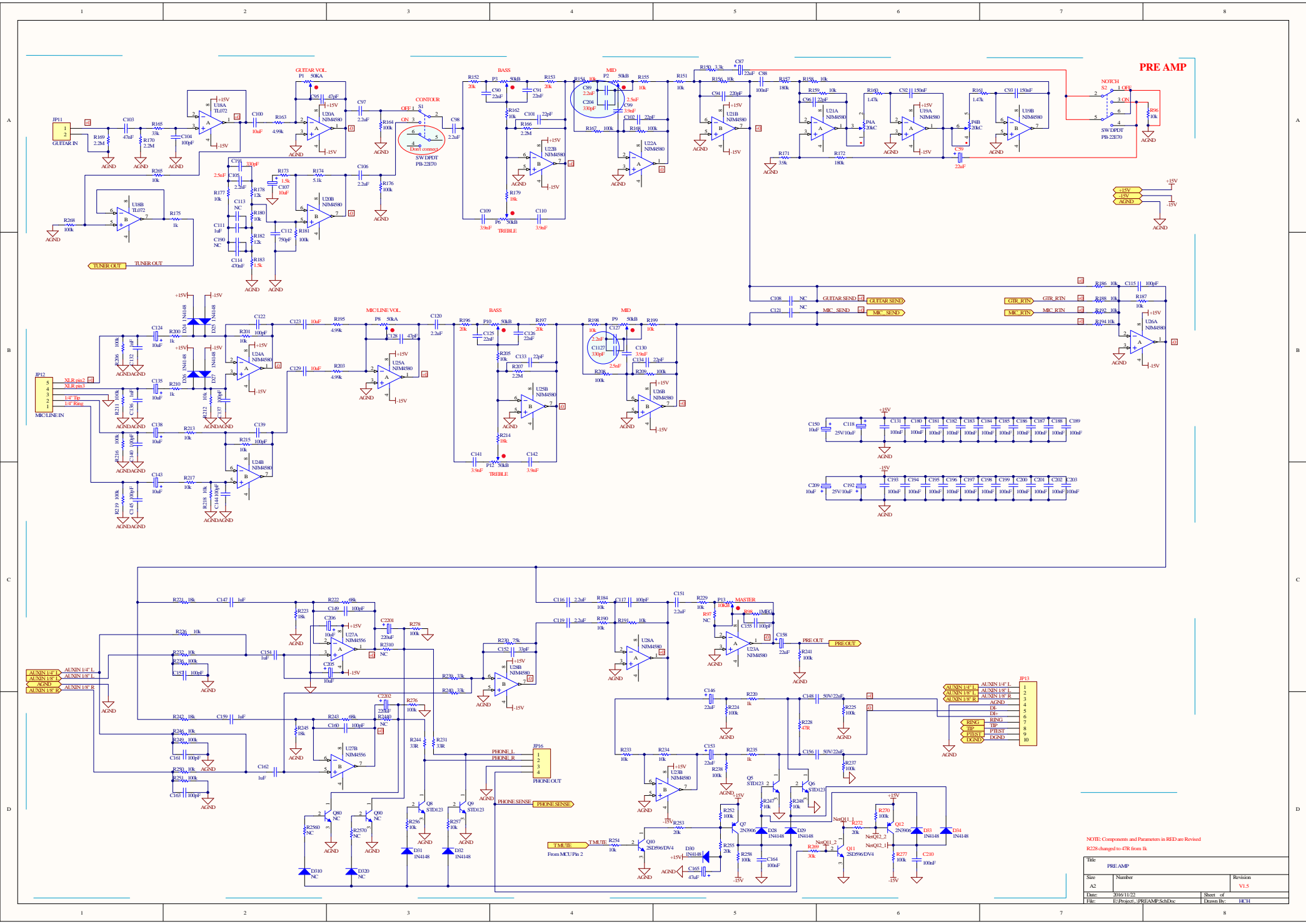
Title			JACK		
Size	Number		Revision		
A4			V1.5		
Date:	2016/11/22		Sheet of		
File:	E:\Project\...JACK.SchDoc		Drawn By:		HCH



Title		
POWER SWITCH		
Size	Number	Revision
A4		V1.5
Date:	2016/11/22	Sheet of
File:	E:\Project\...\POWER SWITCH.SchDoc	Drawn By: HCH



Title		
PRE POWER		
Size	Number	Revision
A4		V1.5
Date:	2016/11/22	Sheet of
File:	E:\Project\...PRE POWER.SchDoc	Drawn By: HCH

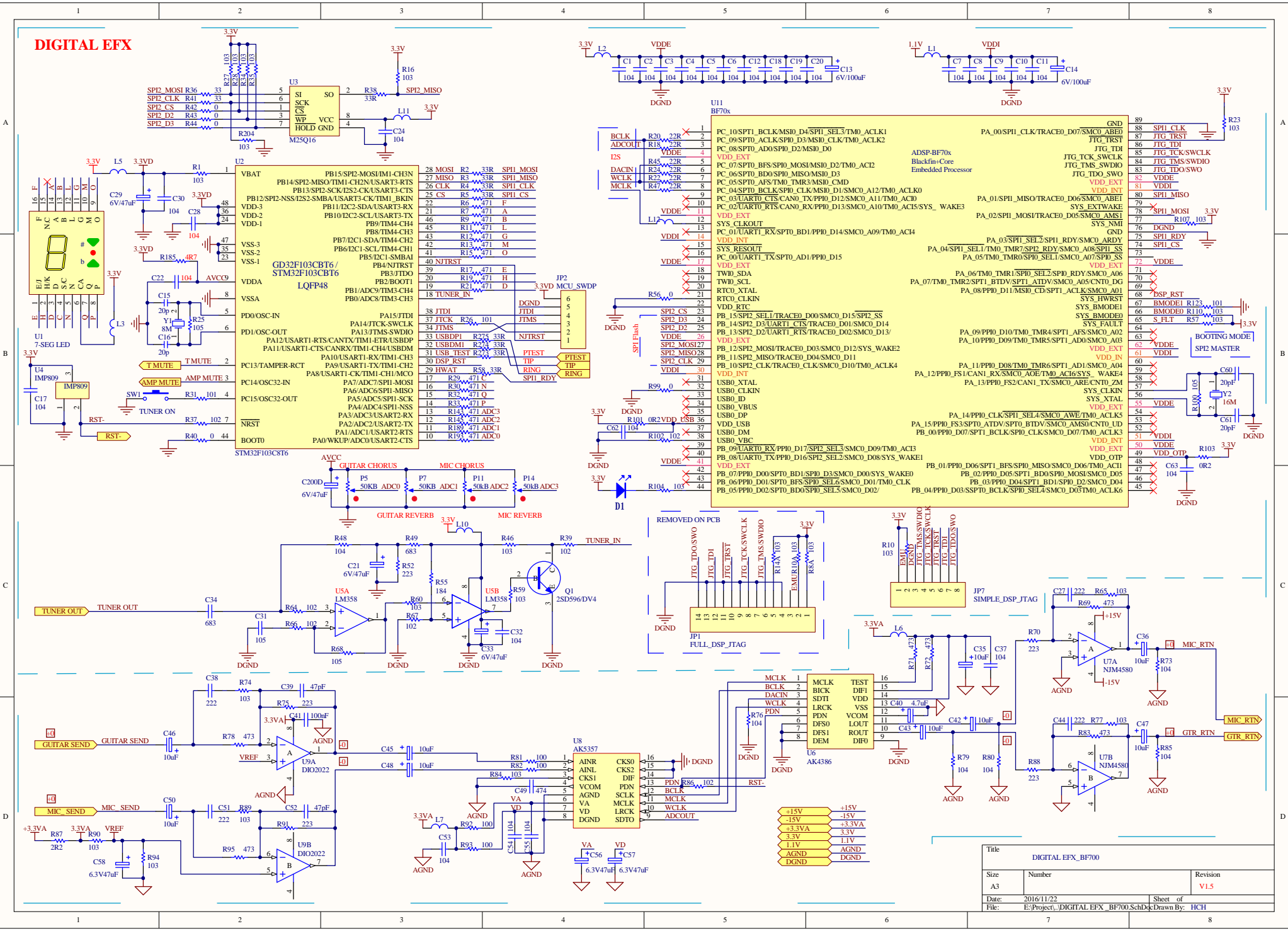


PRE AMP

NOTE: Components and Parameters in RED are Revised
R228 changed to 47K from 1k

Title	PRE AMP	
Size	Number	Revision
A2		V1.5
Date:	2016/11/22	Sheet of
File:	E:\Project_P\PREAMP\SchDoc	Drawn By:
		HCY

DIGITAL EFX



U11 BF70x

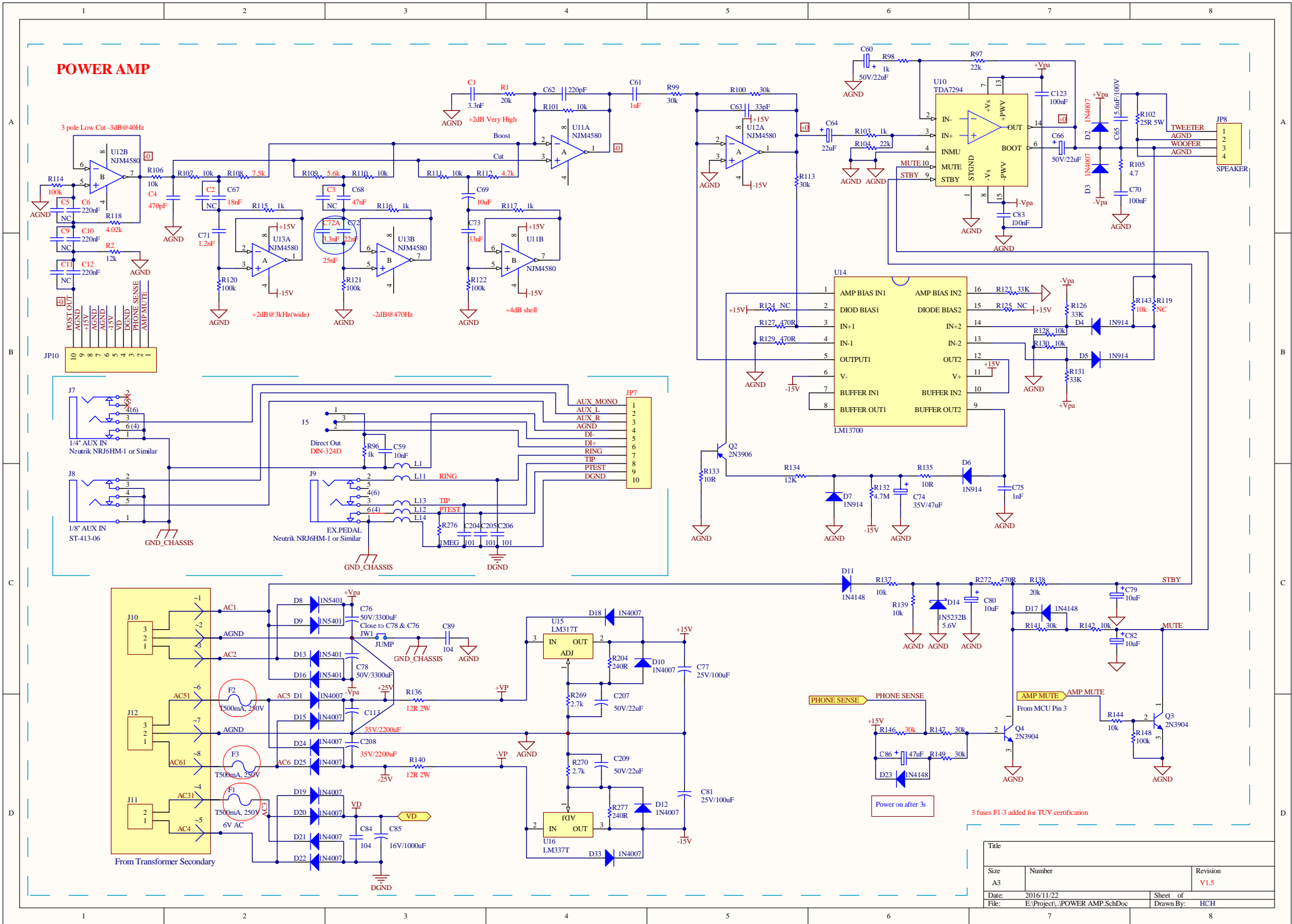
BCLK	R20	22R	PC_10/SPT1_BCLK/MSIO_D4/SPT1_SEL3/TM0_ACLK1
ADACOUT	R18	52R	PC_09/SPT0_ACLK/SPT0_D3/MSIO_CLK/TM0_ACLK2
I2S	VDDE	4	VDD0_EXT
DACIN	R45	22R	PC_07/SPT0_BFS/SPT0_MOSI/MSIO_D2/TM0_ACT2
WCLK	R25	52R	PC_06/SPT0_BD0/SPT0_MISO/MSIO_D3
MCLK	R47	52R	PC_05/SPT0_AFS/TM0_TMR3/MSIO_CMD
			PC_04/SPT0_BCLK/SPT0_CLK/MSIO_D1/SMCO_A12/TM0_ACLK0
			PC_03/UART0_CTS/CAN0_TX/PP10_D12/SMCO_A11/TM0_ACI0
			PC_02/UART0_RTS/CAN0_RX/PP10_D13/SMCO_A10/TM0_ACI5/SYS_WAKE3
			VDD0_EXT
			SYS_CLKOUT
			PC_01/UART1_RX/SPT0_BD1/PP10_D14/SMCO_A09/TM0_ACI4
			VDD0_EXT
			SYS_RESET
			PC_00/UART1_TX/SPT0_AD1/PP10_D15
			VDD0_EXT
			TM10_SDA
			TM10_SCL
			RTCO_XTAL
			RTCO_CLKIN
			VDI_RTC
			PB_15/SPT2_SEL1/TRACE0_D00/SMCO_D15/SPT2_S5
			PB_14/SPT2_D3/UART1_CTS/TRACE0_D01/SMCO_D14
			PB_13/SPT2_D2/UART1_RTS/TRACE0_D02/SMCO_D13
			VDD0_EXT
			SPT2_MOSI27
			SPT2_MISO28
			SPT2_CLK_29
			VDD1
			VDD0_EXT
			USB0_XTAL
			USB0_DP
			USB0_DM
			USB0_VBC
			PB_09/UART0_RX/PP10_D17/SPT2_SEL3/SMCO_D09/TM0_ACI3
			PB_08/UART0_TX/PP10_D16/SPT2_SEL2/SMCO_D08/SYS_WAKE1
			VDD0_EXT
			PB_07/PP10_D00/SPT0_BD1/SPT0_D3/SMCO_D00/SYS_WAKE0
			PB_06/PP10_D01/SPT0_BFS/SPT0_SEL6/SMCO_D01/TM0_CLK
			PB_05/PP10_D02/SPT0_BD0/SPT0_SEL5/SMCO_D02
			PA_00/SPT1_CLK/TRACE0_D07/SMCO_ABE0
			JTG_TRST
			JTG_TDI
			JTG_TCK/SWCLK
			JTG_TMS/SWDIO
			JTG_TDO/SWO
			VDD0_EXT
			PA_01/SPT1_MISO/TRACE0_D06/SMCO_ABE1
			SYS_EXTWAKE
			PA_02/SPT1_MOSI/TRACE0_D05/SMCO_ABE1
			SYS_NMI
			GND
			PA_03/SPT1_SEL2/SPT1_RDY/SMCO_ARDY
			PA_04/SPT1_SEL1/TM0_TMR7/SPT2_RDY/SMCO_A08/SPT1_S5
			PA_05/TM0_TMR0/SPT0_SEL1/SMCO_A09/SPT1_S5
			72
			73
			74
			75
			76
			77
			78
			79
			80
			81
			82
			83
			84
			85
			86
			87
			88
			89

Legend for Power Planes:

+15V	+15V
-15V	-15V
+3.3VA	+3.3VA
+3.3V	+3.3V
+1.1V	+1.1V
AGND	AGND
DGND	DGND

Title		DIGITAL EFX_BF700	
Size	Number	Revision	
A3		V1.5	
Date:	2016/11/22	Sheet of	
File:	E:\Project\DIGITAL EFX_BF700.SchDoc	Drawn By:	HCH

POWER AMP



Title		
Size	Number	Revision
A3		V1.5
Date:	2016/11/22	Sheet of
File:	E:\Project\POWER AMP\SchDoc	Drawn By:
		HCH