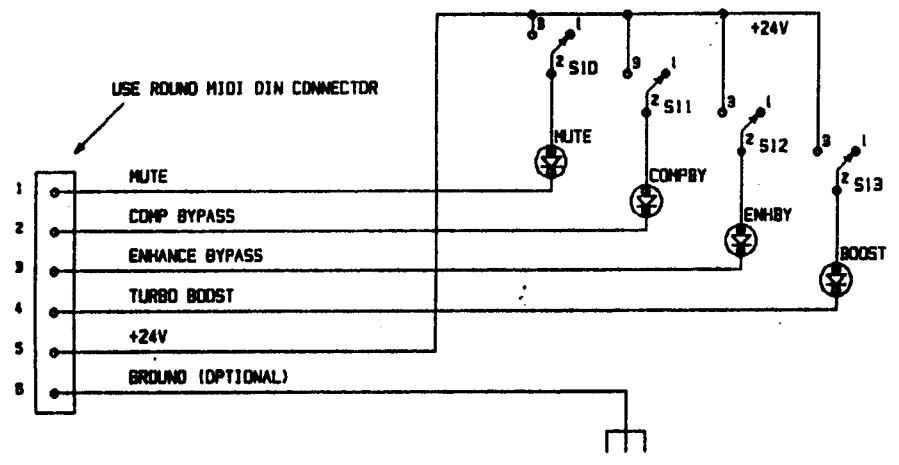
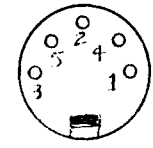


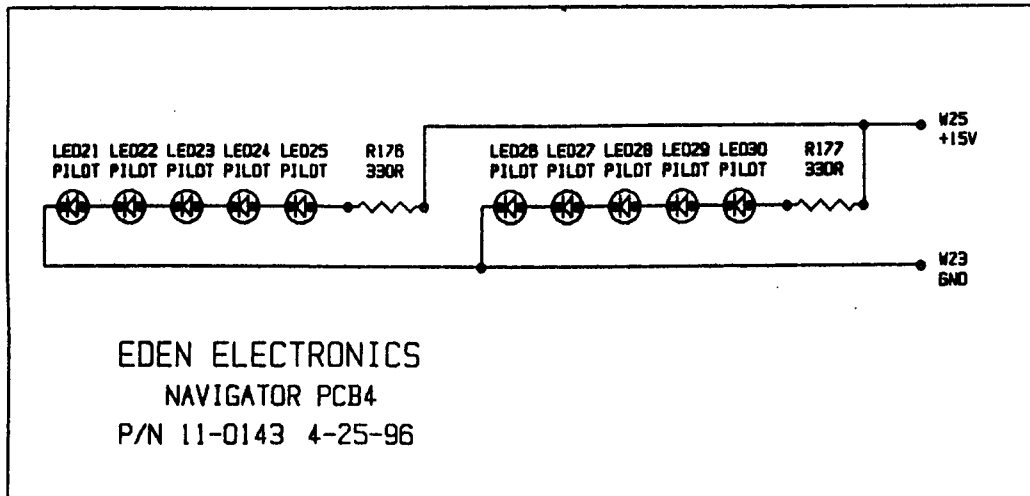
NAVIGATOR PCB 4, FOOTSWITCH
 CURRENT AS OF 1/10/97, 240P1



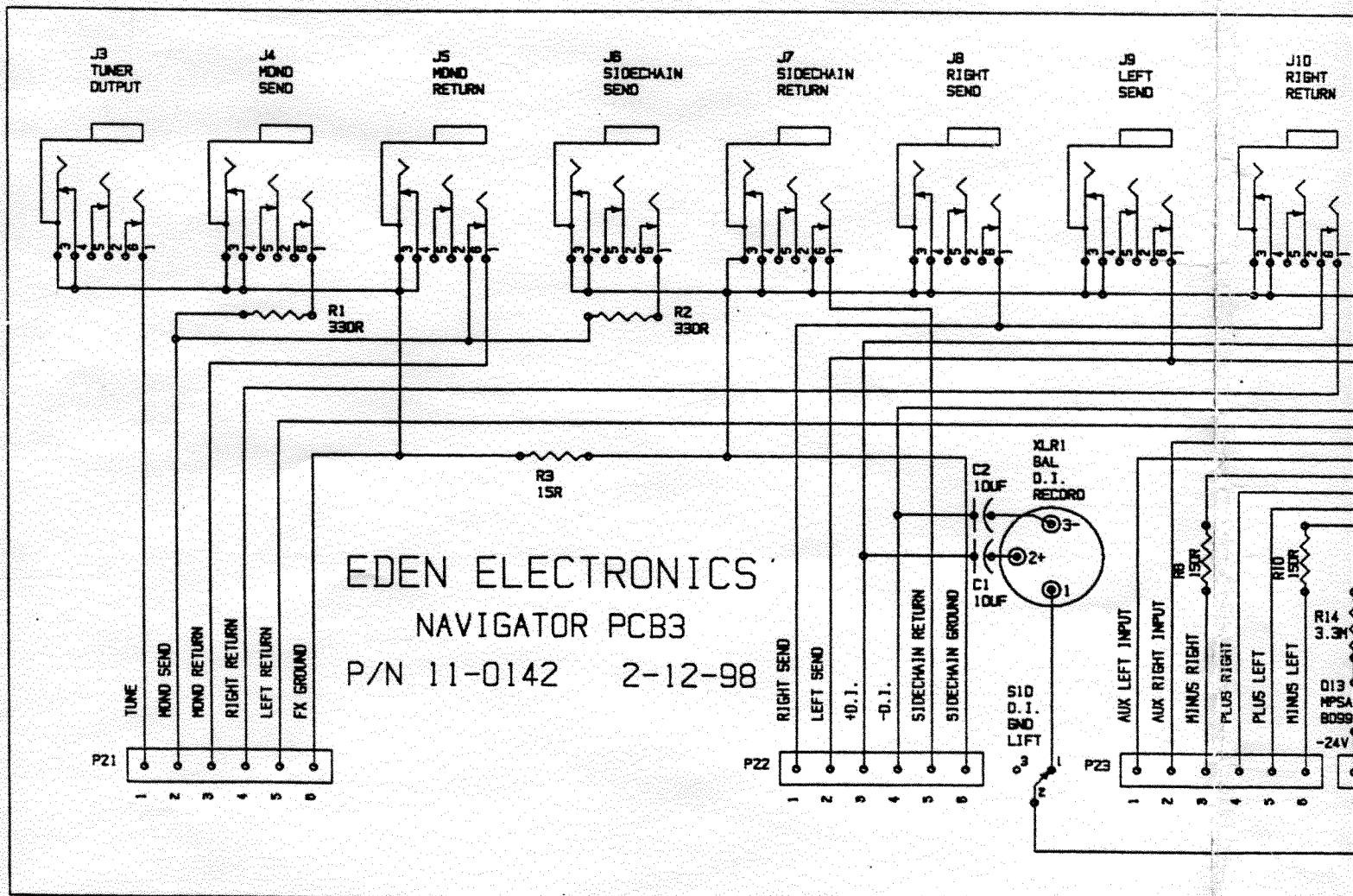
REAR VIEW OF DIN SOCKET
 (SOLDER SIDE)

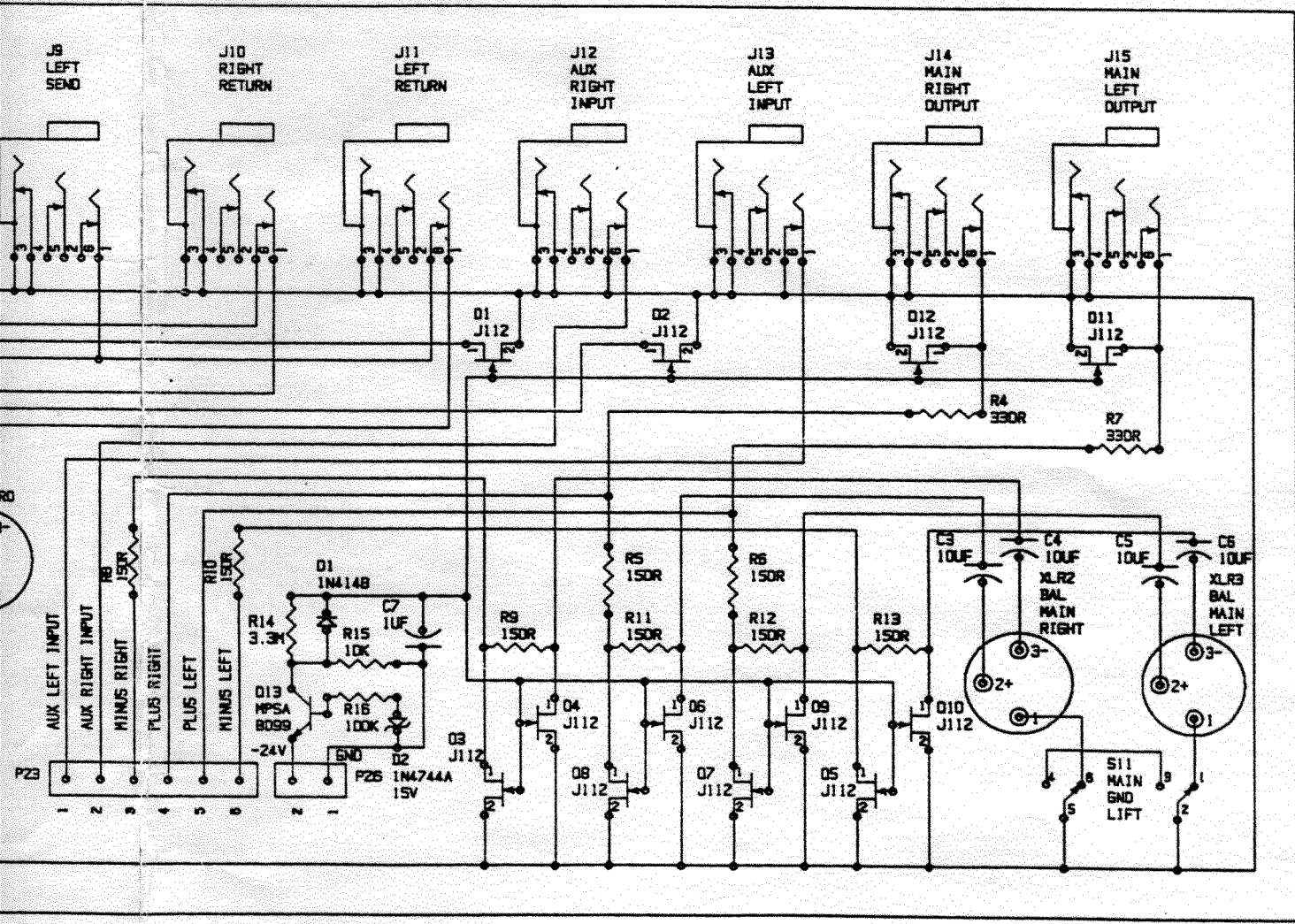


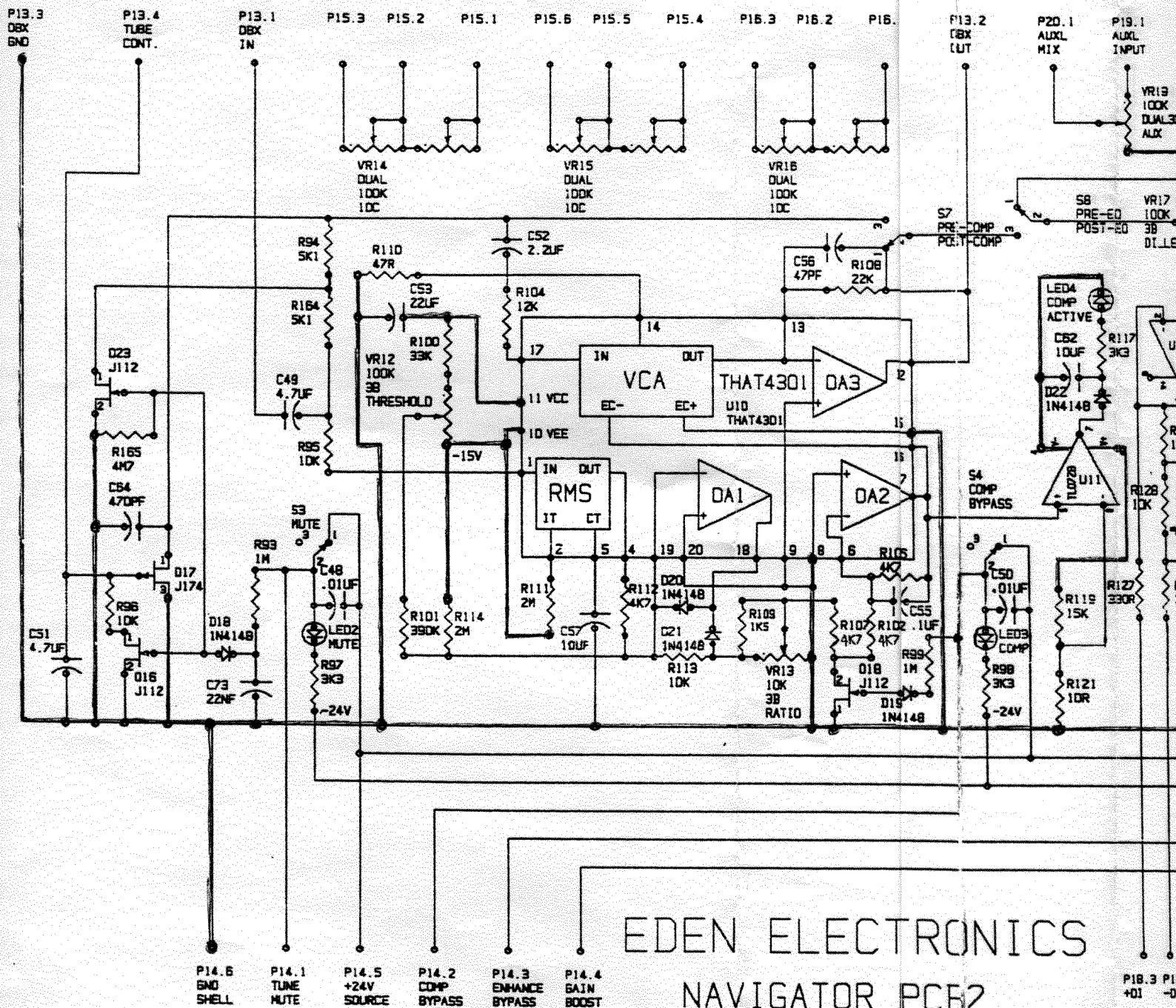
- 1 BROWN
- 2 RED
- 3 ORANGE
- 4 YELLOW
- 5 GREEN



Footswitch



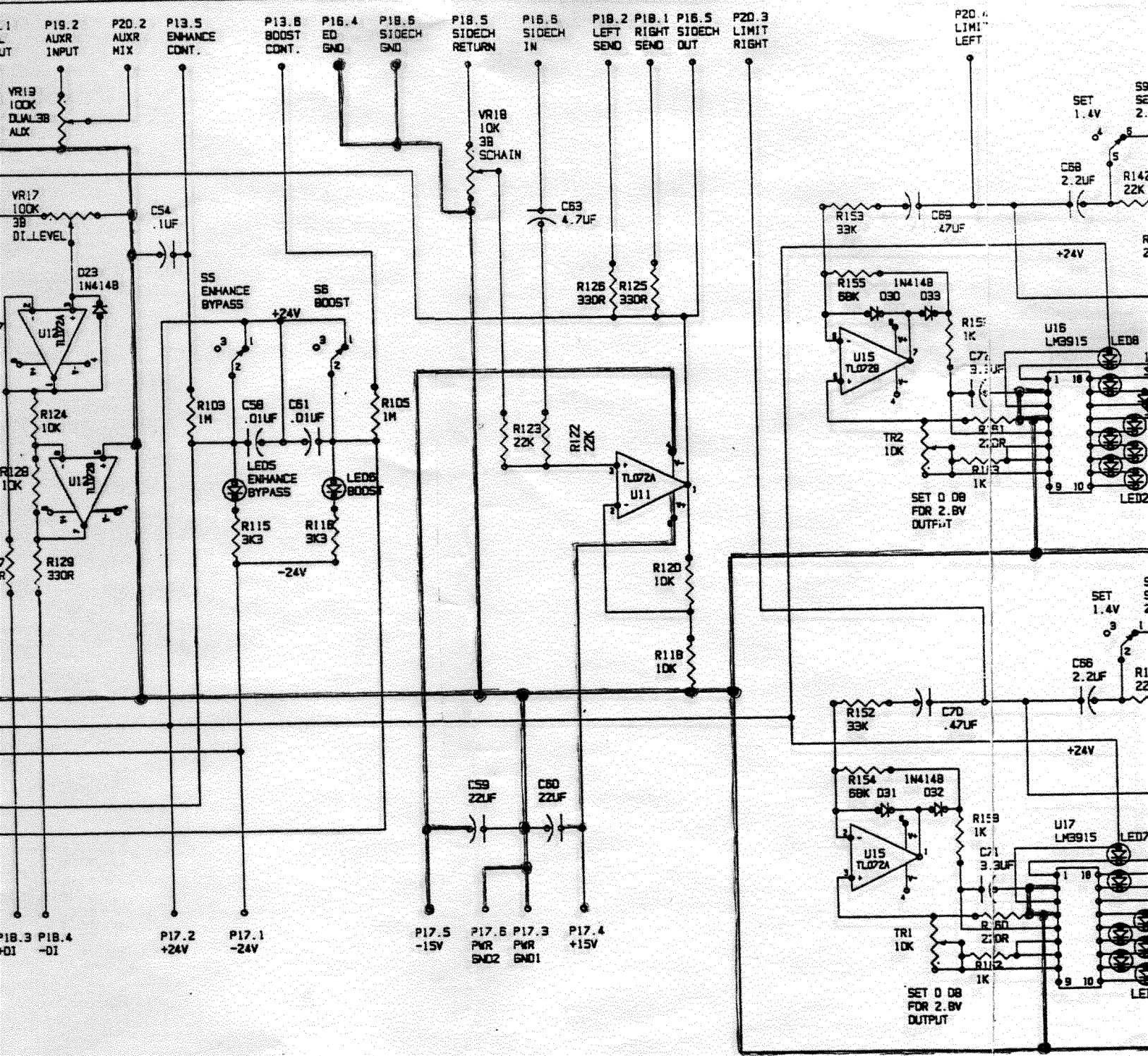


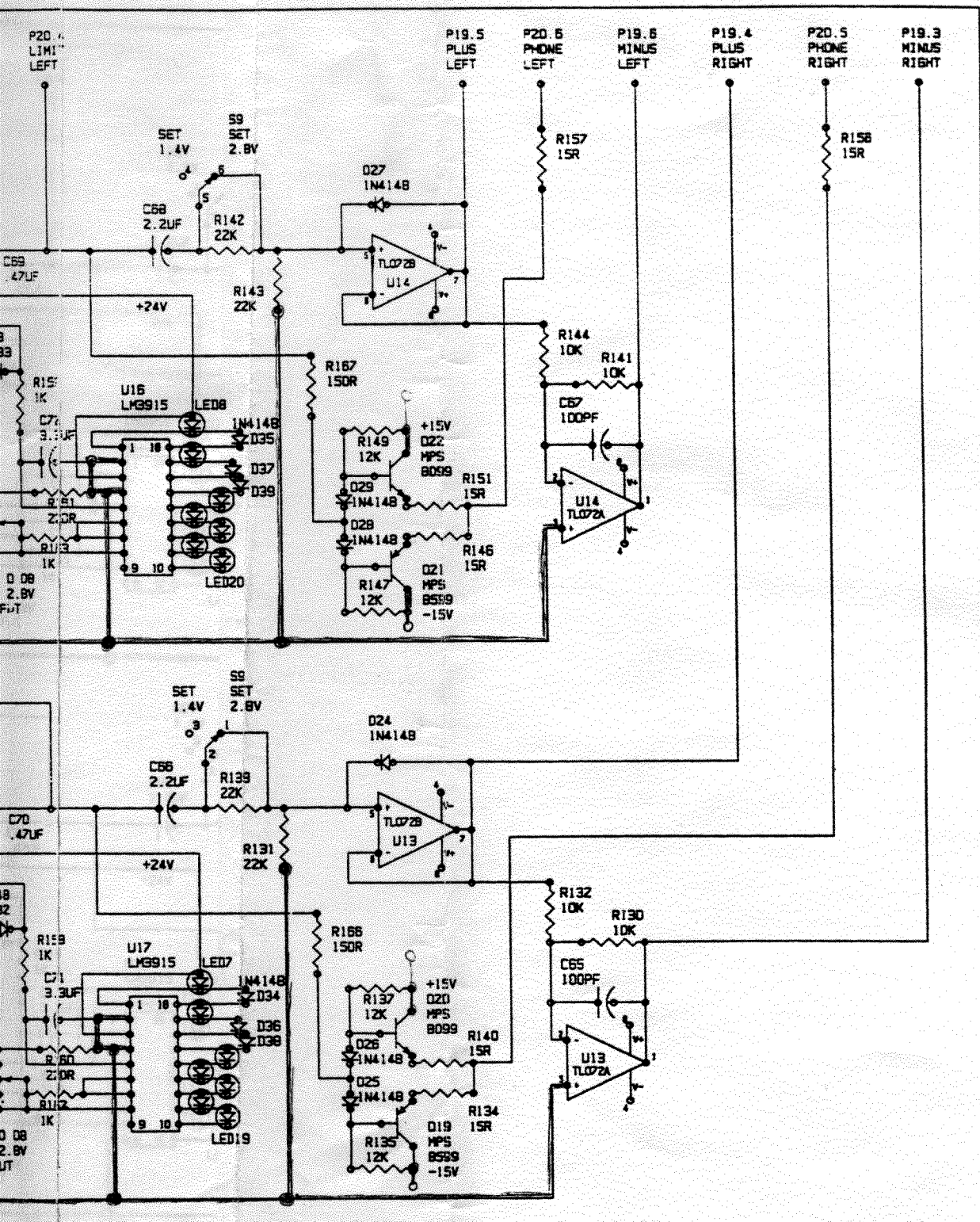


EDEN ELECTRONICS
 NAVIGATOR PCB2
 P/N 11-0141 2-12-98

FOOTSWITCH CONTROL

- P14.6
GND
SHELL
- P14.1
TUNE
MUTE
- P14.5
+24V
SOURCE
- P14.2
COMP
BYPASS
- P14.3
ENHANCE
BYPASS
- P14.4
GAIN
BOOST





P2.1
TUNE

P1.1 P1.4
DBX TUBE
IN CONT.

P1.2
DBX
OUT

P2.2
MONO
SEND

P1.3
DBX
GND

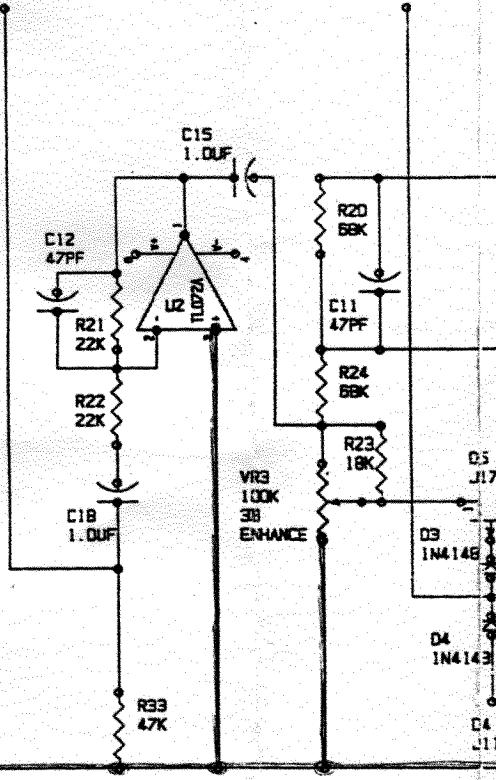
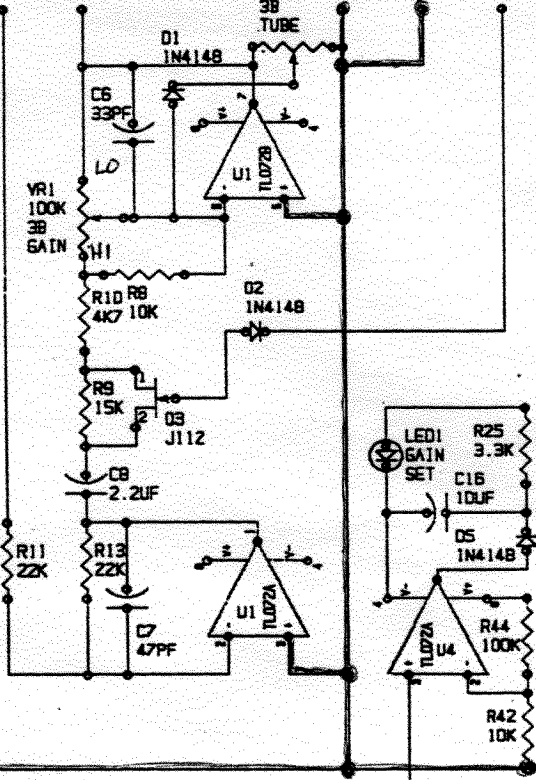
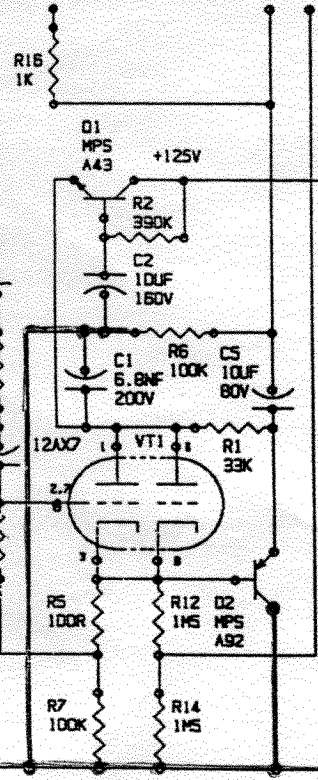
P2.5
FX
GND

P1.6
BOOST
CONT.

P2.3
MONO
RETURN

P1.5
ENHANCE
CONT.

J1
INSTR.
INPUT



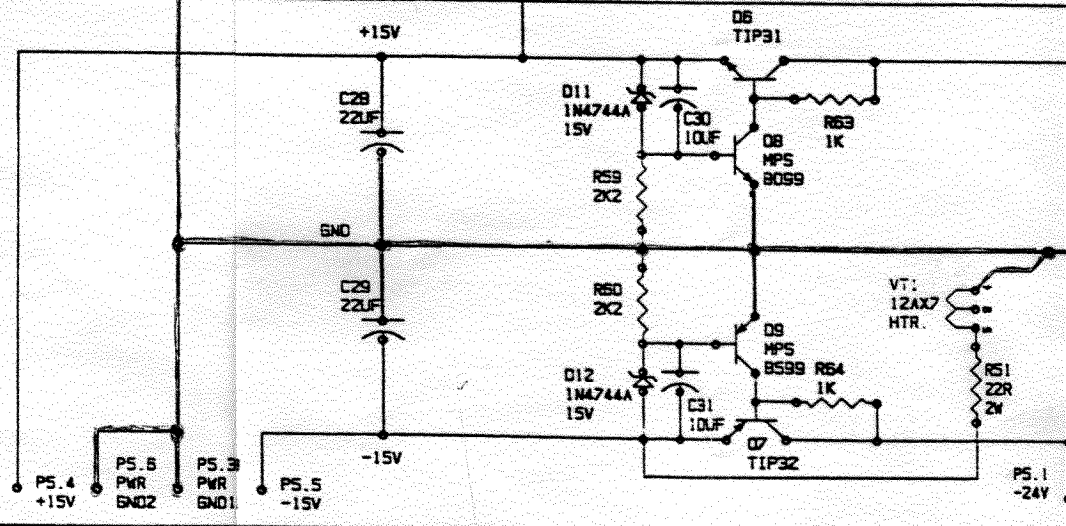
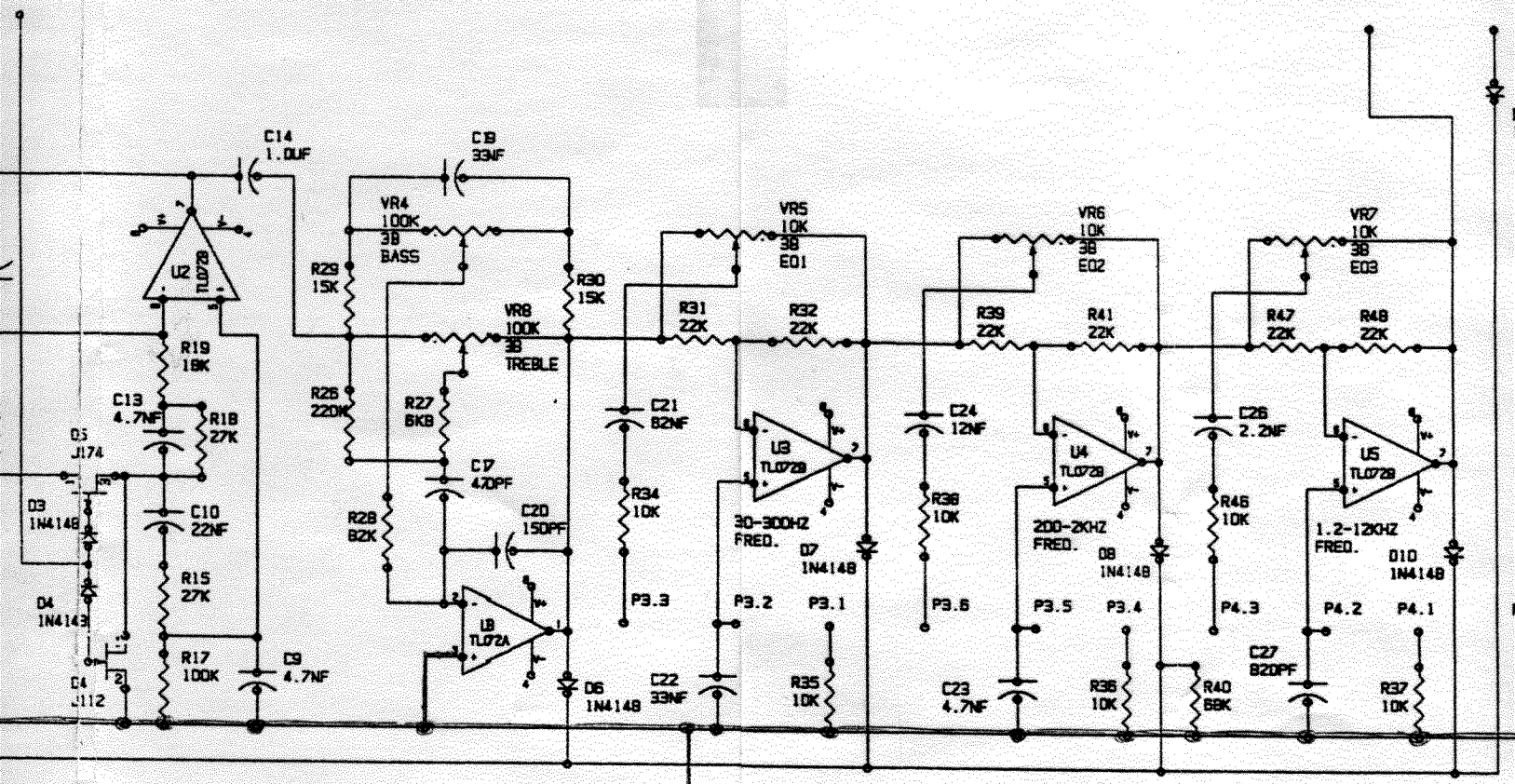
EDEN ELECTRONICS
 NAVIGATOR PCB1
 P/N 11-0140 2-12-98



P1.5
ENHANCE
DNT.

P4.6
SIDECH
INPUT

P4.5
SIDECH
OUTPUT



P4.5 SIDECH OUTPUT
P2.5 LEFT RETURN
P2.4 RIGHT RETURN

P6.1 AUX LEFT MIX
P6.2 AUX RIGHT MIX

