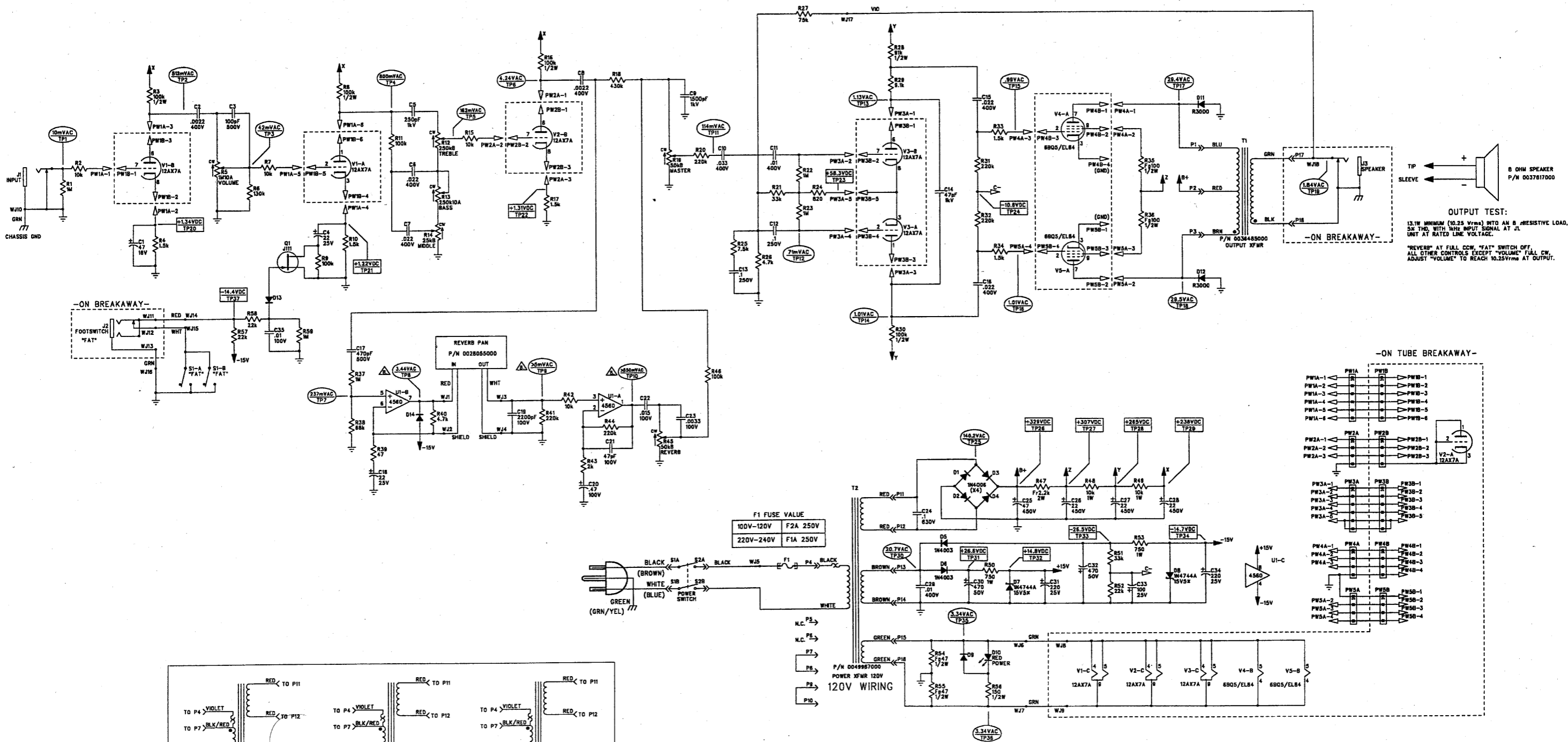
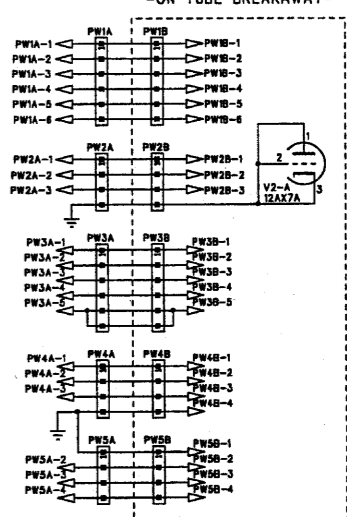
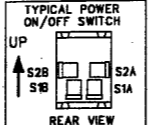
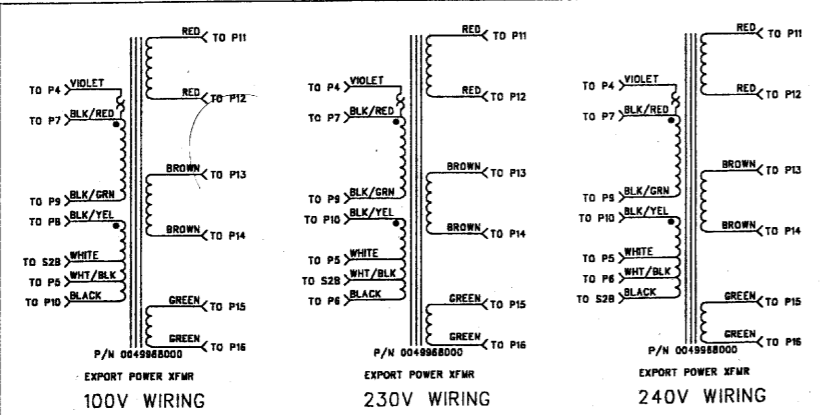
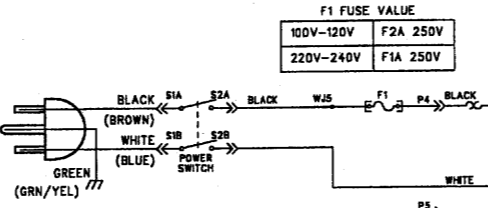
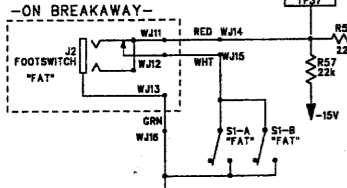


REVISIONS			
REV.	DESCRIPTION	DATE	APPROVED
A	EC 2630	21-MAR-01	JBL



**OUTPUT TEST:**  
 13.1W MINIMUM (10.25 Vrms) INTO AN 8 Ω RESISTIVE LOAD, 5% THD, WITH 1kHz INPUT SIGNAL AT J1, UNIT AT RATED LINE VOLTAGE.  
 \*REVERB\* AT FULL CCW, \*FAT\* SWITCH OFF. ALL OTHER CONTROLS EXCEPT \*VOLUME\* FULL CW. ADJUST \*VOLUME\* TO REACH 10.25Vrms AT OUTPUT.



- 1. ALL RESISTORS IN OHMS, 5% 1/4W.
  - 2. ALL UNPOLARIZED CAPACITORS IN μF, 10% OR BETTER; 50V MINIMUM. (POWER SUPPLY BYPASS CAPACITORS ARE 20X).
  - 3. ALL DIODES ARE 1N4004.
  - 4. ALL POLARIZED CAPACITORS IN μF, 10%; 50V MINIMUM.
  - 5. THIS SCHEMATIC IS FOR PCB FABRICATION P/N 0057276000 AND PCB ASSEMBLY P/N 0057277000.
  - 6. LAST REFERENCE: C35, D14, F1, J3, P18, R59, S1, T2, TP37, U1, V5, W1B.
  - 7. AC AND DC VOLTAGES READ WITH RESPECT TO GROUND WITH A DVOM UNDER THE FOLLOWING CONDITIONS:  
 UNIT AT RATED LINE VOLTAGE  
 NO INPUT SIGNAL (TP20-TP37 ONLY)  
 VOLTAGES MAY VARY ±7-20%  
 ADDITIONAL CONDITIONS FOR TP1-TP18:  
 10mVrms, 1kHz SINEWAVE INPUT SIGNAL AT J1  
 20 Ω RESISTIVE LOAD CONNECTED AT J3  
 REVERB PAN CONNECTED  
 \*REVERB\* AT FULL CCW, \*FAT\* SWITCH OFF (OFF)  
 ALL OTHER CONTROLS AT SOX ROTATION.
- NOTES: (UNLESS OTHERWISE NOTED)

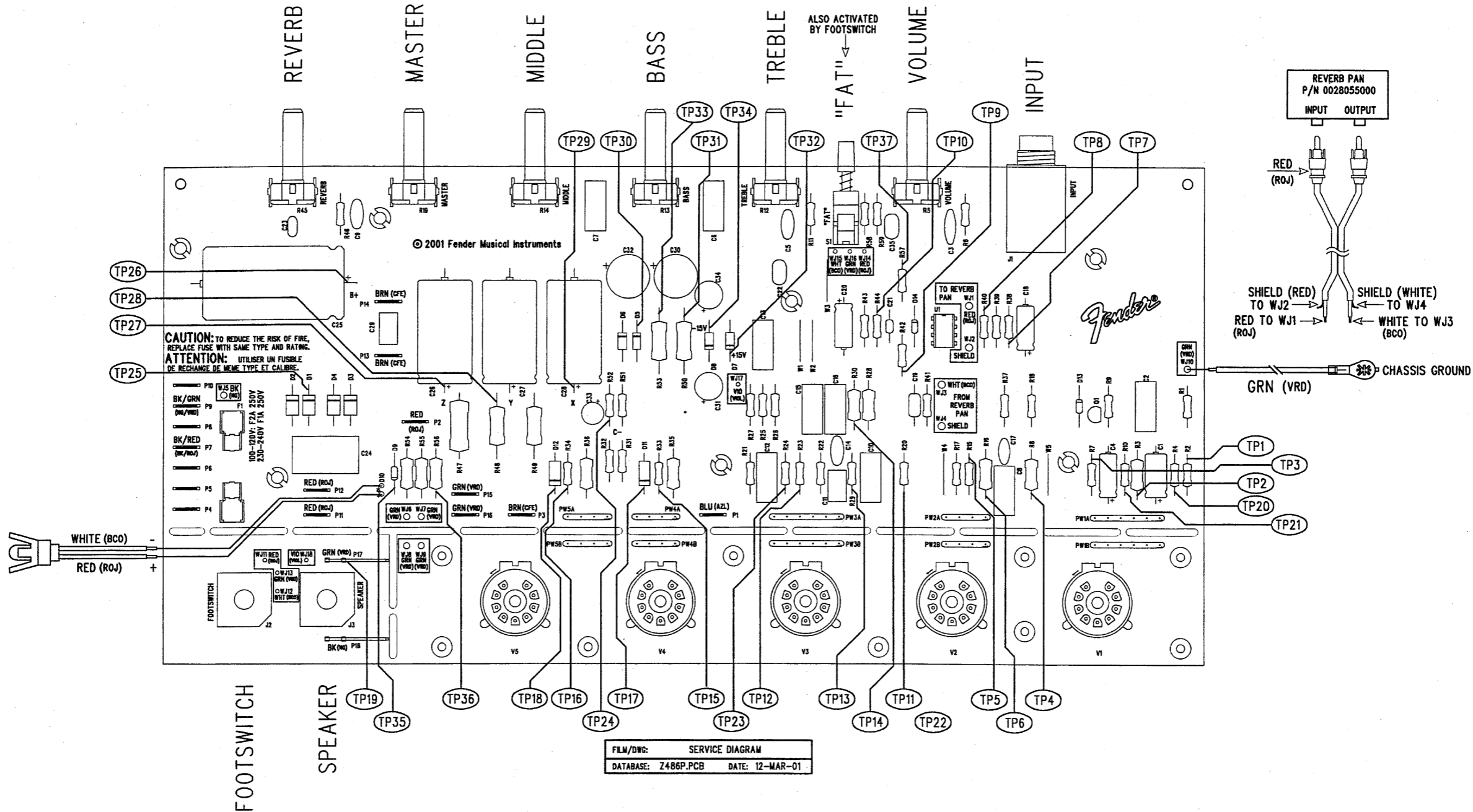
THIS DOCUMENT CONTAINS INFORMATION OF A PROPRIETARY NATURE TO FENDER MUSICAL INSTRUMENTS AND IS SUBMITTED TO YOU IN CONFIDENCE AND SHALL NOT BE REPRODUCED OR TRANSMITTED TO OTHERS WITHOUT AUTHORIZATION FROM FENDER MUSICAL INSTRUMENTS.

**Fender** MUSICAL INSTRUMENTS  
 Corona, CA U.S.A.

CHECKED BY: *[Signature]*  
 DATE: 23 APR 01  
 APPROVED BY: *[Signature]*  
 DATE: 4/20/01  
 DRAWN: D. LEWIS  
 ENGR: D. LEWIS  
 DATABASE FILE: 24865.SCH

TITLE: SERVICE DIAGRAM, COMBINED (schematic) BLUES JUNIOR  
 SIZE: D  
 DRAWING NUMBER: 0057275000  
 REV: A  
 RELEASE DATE: 21-MAR-01  
 SHEET: 1 OF 2

REVISIONS			
REV.	DESCRIPTION	DATE	APPROVED
A	EC 2630	21-MAR-01	DBL



**CAUTION:** TO REDUCE THE RISK OF FIRE, REPLACE FUSE WITH SAME TYPE AND RATING.  
**ATTENTION:** UTILISER UN FUSIBLE DE REMPLACEMENT DE MEME TYPE ET CALIBRE.

FILM/DWG: SERVICE DIAGRAM  
 DATABASE: Z486P.PCB DATE: 12-MAR-01

1. SEE SHEET 1 FOR PRIMARY WIRING, TEST CONDITIONS, AND TEST POINT VALUES.  
 NOTES: (UNLESS OTHERWISE NOTED)

THIS DOCUMENT CONTAINS INFORMATION OF A PROPRIETARY NATURE TO FENDER MUSICAL INSTRUMENTS AND IS SUBMITTED TO YOU IN CONFIDENCE AND SHALL NOT BE DISCLOSED OR TRANSMITTED TO OTHERS WITHOUT AUTHORIZATION FROM FENDER MUSICAL INSTRUMENTS.

CHECKED BY: *[Signature]*  
 DATE: 26-APR-01

APPROVED BY: *[Signature]*  
 DATE: 4/20/01

DRAWN: D. LEWIS ENGR: D. LEWIS  
 DATABASE FILE: Z486P.PCB

**Fender** MUSICAL INSTRUMENTS  
 Corona, CA U.S.A.

TITLE: SERVICE DIAGRAM, COMBINED (PCB assy)  
 BLUES JUNIOR

SIZE <b>C</b>	DRAWING NUMBER <b>0057275000</b>	REV. <b>A</b>
RELEASE DATE: 21-MAR-01		SHEET 2 OF 2