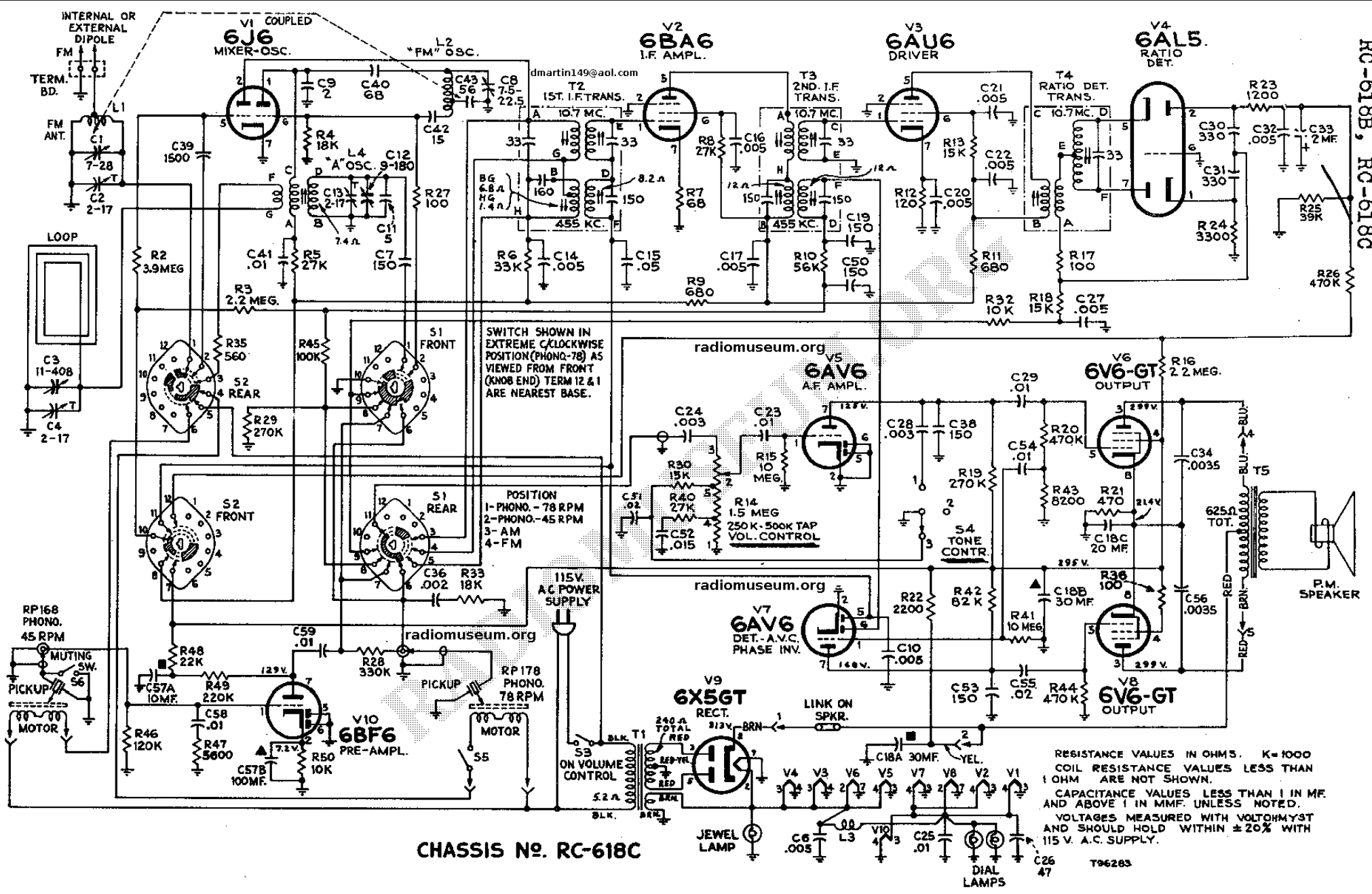


MODELS 9W101, 9W103,  
9W105, CHASSIS  
RC-618B, RC-618C

RADIO CORP. OF AMERICA

RECORD CHANGER: Model RP-178, RCD.CH. 18-14



CHASSIS No. RC-618C

Complete Schematic Diagram

Model 9W105, Chassis No. RC-618C

RESISTANCE VALUES IN OHMS. K=1000  
COIL RESISTANCE VALUES LESS THAN  
1 OHM ARE NOT SHOWN.  
CAPACITANCE VALUES LESS THAN 1 IN MF.  
AND ABOVE 1 IN MMF. UNLESS NOTED.  
VOLTAGES MEASURED WITH VOLTOHMIST  
AND SHOULD HOLD WITHIN ±20% WITH  
115 V. A.C. SUPPLY.

The RP-178 record changer is used only with Model 9W105. In Models 9W101 and 9W103 the RP-178 record changer and connecting cables are not used; C36 and R33 are omitted.