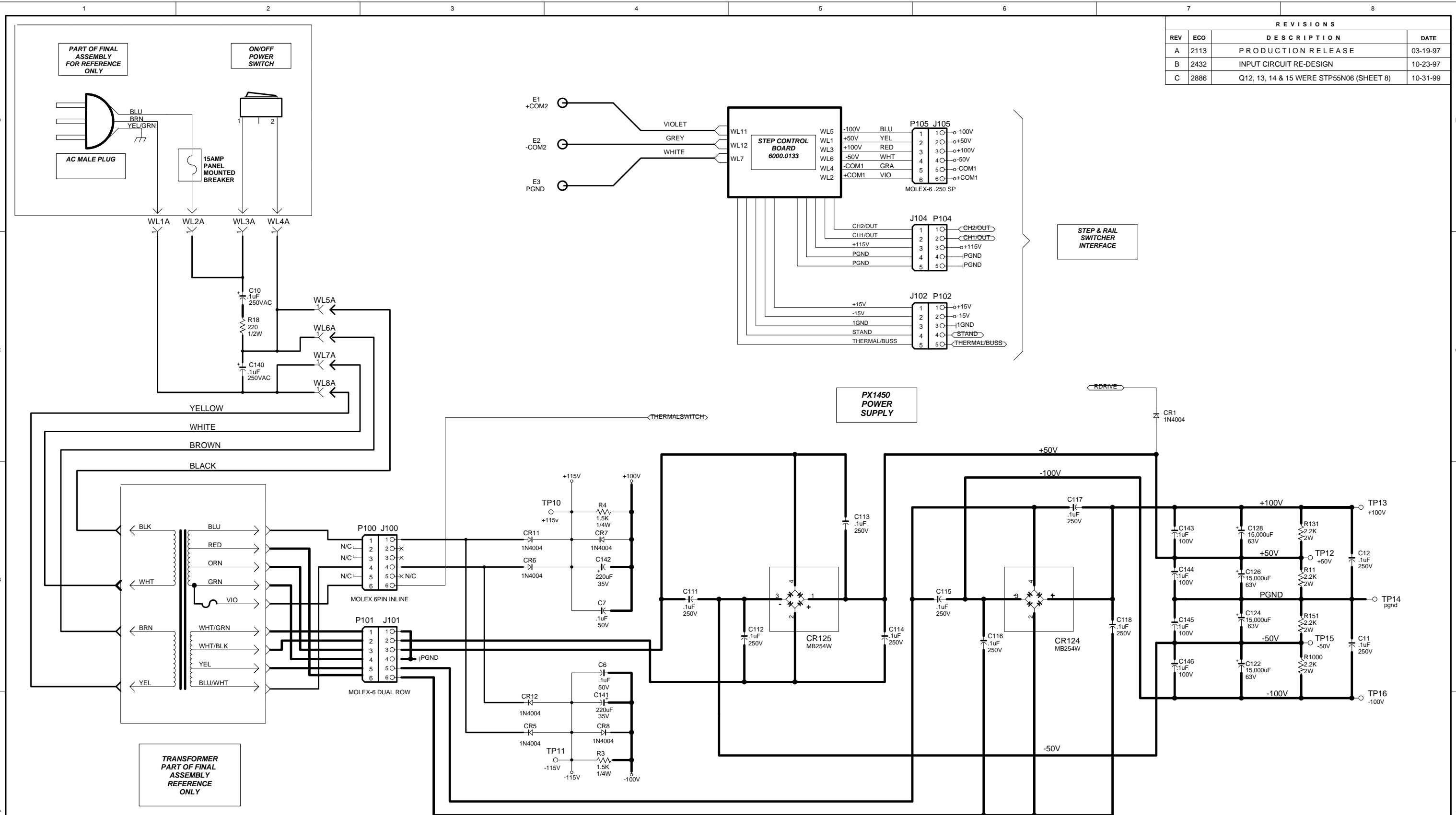


REVISIONS			
REV	ECO	DESCRIPTION	DATE
A	2113	PRODUCTION RELEASE	03-19-97
B	2432	INPUT CIRCUIT RE-DESIGN	10-23-97
C	2886	Q12, 13, 14 & 15 WERE STP55N06 (SHEET 8)	10-31-99

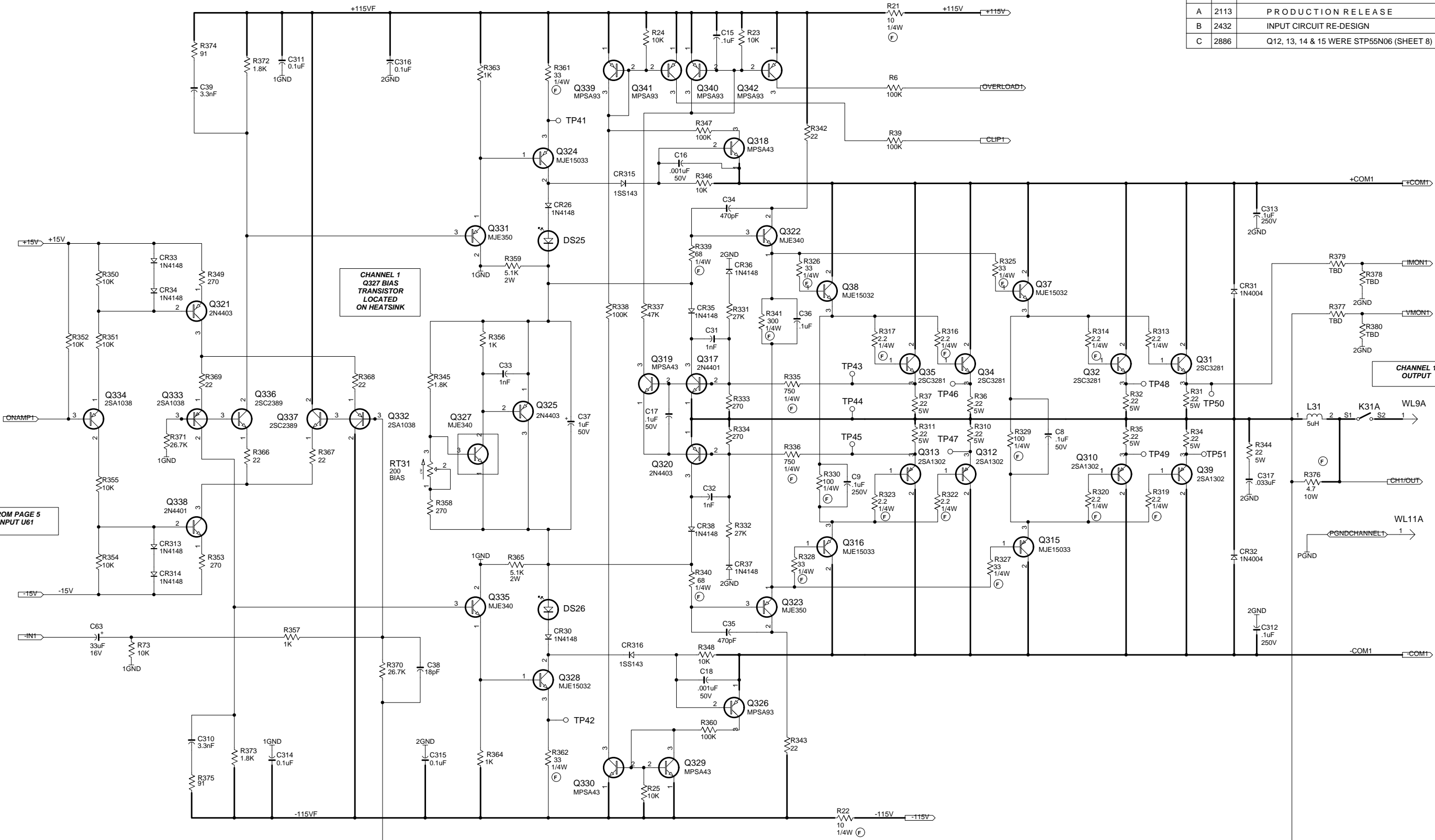


NOTES: UNLESS OTHERWISE SPECIFIED.
 1. ALL RESISTORS ARE IN OHMS.
 2. ALL CAPACITORS ARE IN MICROFARADS.

PROPRIETARY NOTICE
 THE INFORMATION CONTAINED IN THIS DOCUMENT IS
 PROPRIETARY TO PHOENIX GOLD AND SHALL NOT BE
 REPRODUCED OR DISCLOSED IN WHOLE OR IN PART
 WITHOUT PRIOR AUTHORIZATION FROM PHOENIX GOLD

CARVER PROFESSIONAL APPROVALS: CHECKED _____ DATE: _____ APPROVALS: ENGINEERING _____ DATE: _____		SCHEMATIC: AC POWER SUPPLY CARVER PX SERIES 1450	
		SIZE: B DATE: 8-Nov-1999 FILE: PX1500S1.SCH DRAWN BY: TIMOTHY	DWG No.: 8000.0102 SHEET 1 OF 9

REVISIONS			
REV	ECO	DESCRIPTION	DATE
A	2113	PRODUCTION RELEASE	03-19-97
B	2432	INPUT CIRCUIT RE-DESIGN	10-23-97
C	2886	Q12, 13, 14 & 15 WERE STP55N06 (SHEET 8)	10-31-99



CHANNEL 1
Q327 BIAS
TRANSISTOR
LOCATED
ON HEATSINK

FROM PAGE 5
INPUT U61

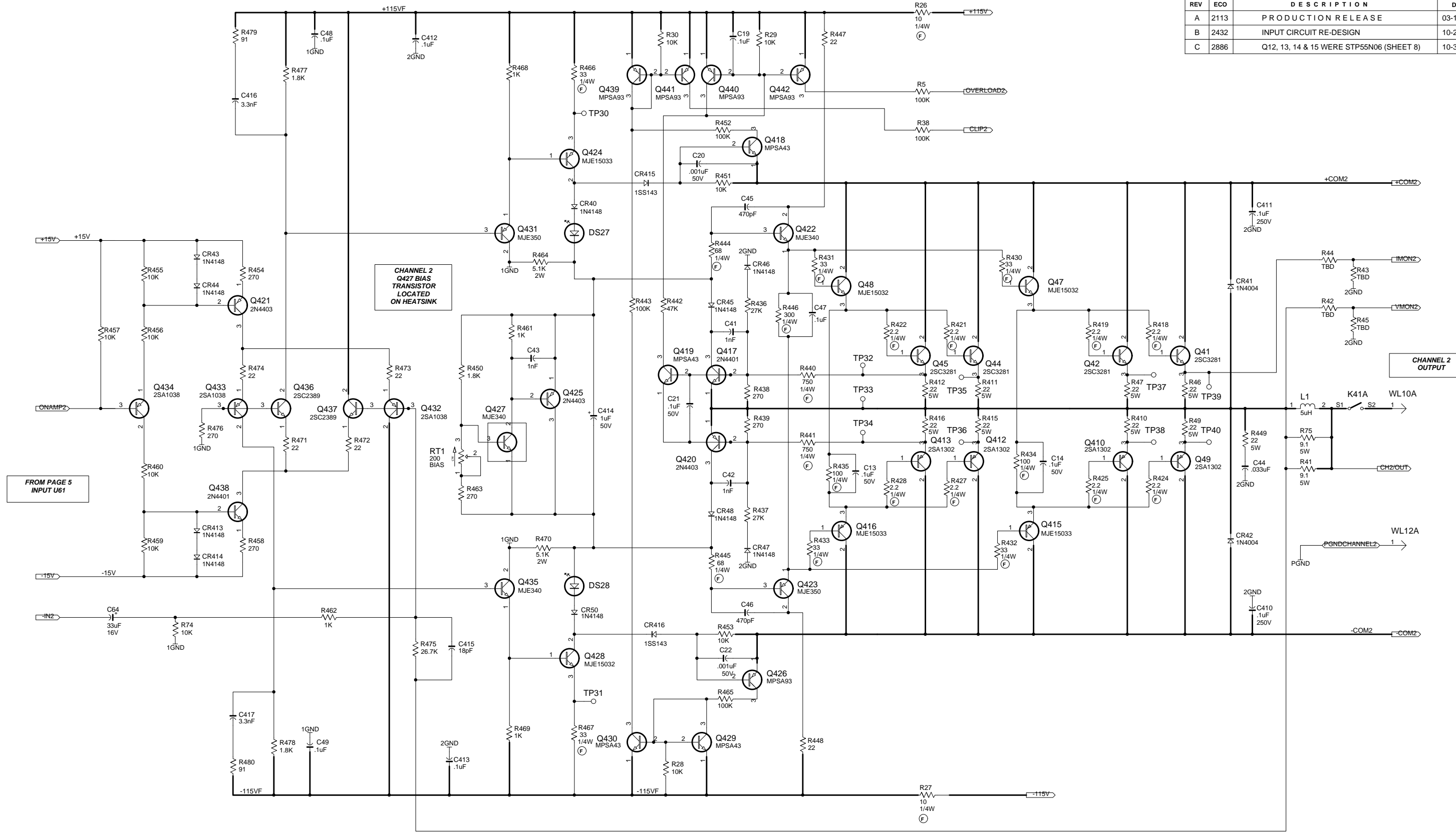
CHANNEL 1
AMPLIFIER
STAGE

- NOTES: UNLESS OTHERWISE SPECIFIED.
1. ALL RESISTORS VALUES ARE IN OHMS, 1/8W.
 2. ALL CAPACITORS ARE IN MICROFARADS.
 3. ALL FUSE RESISTORS 1/4W (E)

PROPRIETARY NOTICE
THE INFORMATION CONTAINED IN THIS DOCUMENT IS
PROPRIETARY TO PHOENIX GOLD AND SHALL NOT BE
REPRODUCED OR DISCLOSED IN WHOLE OR IN PART
WITHOUT PRIOR AUTHORIZATION FROM PHOENIX GOLD

		SCHEMATIC: CHANNEL 1 AMPLIFIER CARVER PX SERIES 1450	
		DATE: 8-Nov-1999 FILE: PX1500S3 SCH	DWG No. 8000.0102 REV C
APPROVALS: CHECKED:	DATE:	APPROVALS: ENGINEERING:	DATE:
DRAWN BY: TIMOTHY		SHEET 3 OF 9	

REVISIONS			
REV	ECO	DESCRIPTION	DATE
A	2113	PRODUCTION RELEASE	03-19-97
B	2432	INPUT CIRCUIT RE-DESIGN	10-23-97
C	2886	Q12, 13, 14 & 15 WERE STP55N06 (SHEET 8)	10-31-99



FROM PAGE 5
INPUT U61

CHANNEL 2
Q427 BIAS
TRANSISTOR
LOCATED
ON HEATSINK

CHANNEL 2
OUTPUT

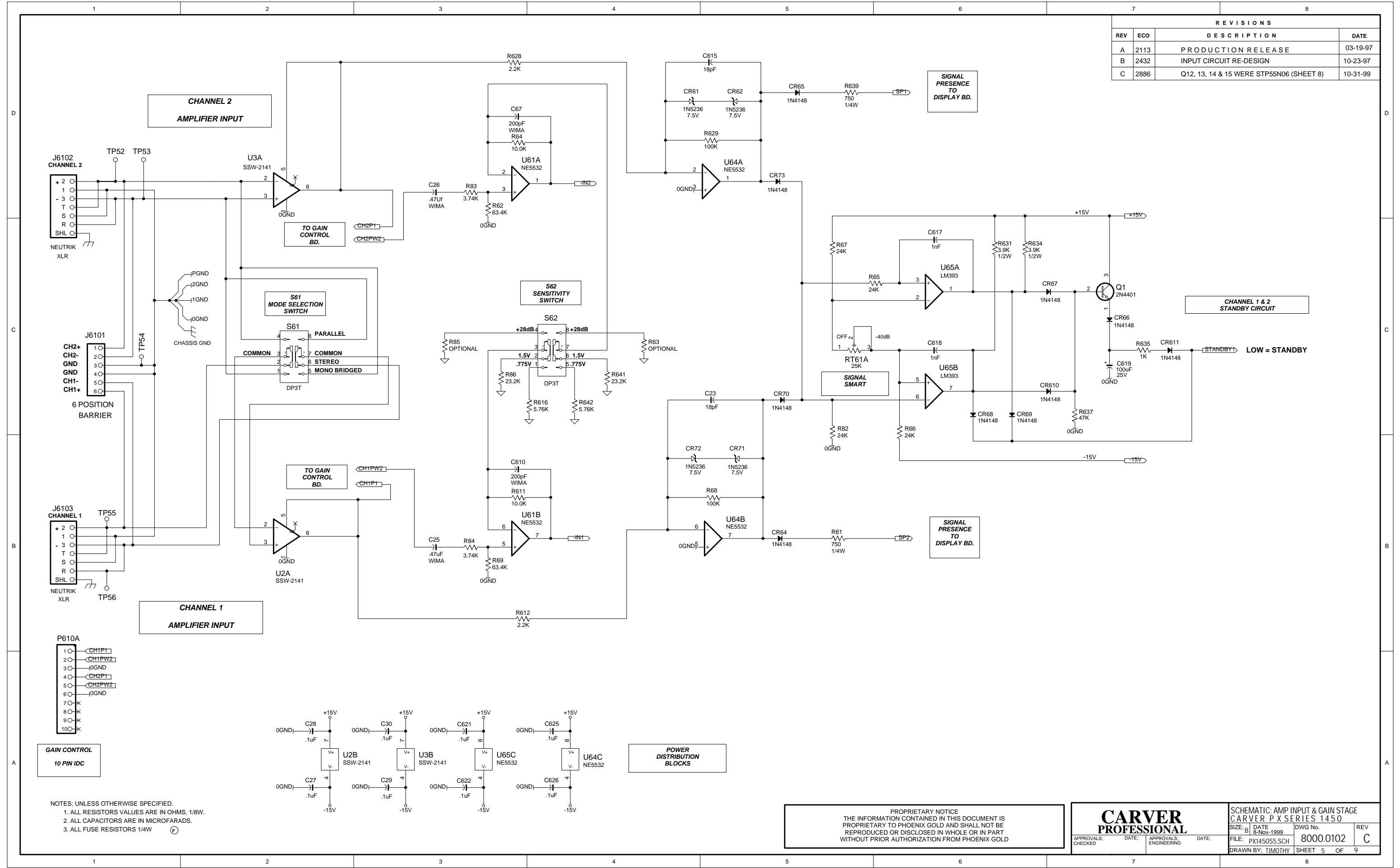
CHANNEL 2
AMPLIFIER
STAGE

- NOTES: UNLESS OTHERWISE SPECIFIED.
1. ALL RESISTORS VALUES ARE IN OHMS, 1/8W.
 2. ALL CAPACITORS ARE IN MICROFARADS.
 3. ALL FUSE RESISTORS 1/4W

PROPRIETARY NOTICE
THE INFORMATION CONTAINED IN THIS DOCUMENT IS
PROPRIETARY TO PHOENIX GOLD AND SHALL NOT BE
REPRODUCED OR DISCLOSED IN WHOLE OR IN PART
WITHOUT PRIOR AUTHORIZATION FROM PHOENIX GOLD

CARVER PROFESSIONAL		SCHEMATIC: CHANNEL 2 AMPLIFIER CARVER PX SERIES 1450	
		DATE: 8-Nov-1999 FILE: PX1500S4 SCH	DWG No. 8000.0102 SHEET 4 OF 9
APPROVALS: CHECKED:	DATE:	APPROVALS: ENGINEERING:	DATE:

REVISIONS			
REV	ECO	DESCRIPTION	DATE
A	2113	PRODUCTION RELEASE	03-19-97
B	2432	INPUT CIRCUIT RE-DESIGN	10-23-97
C	2886	Q12, 13, 14 & 15 WERE STP55N06 (SHEET 8)	10-31-99

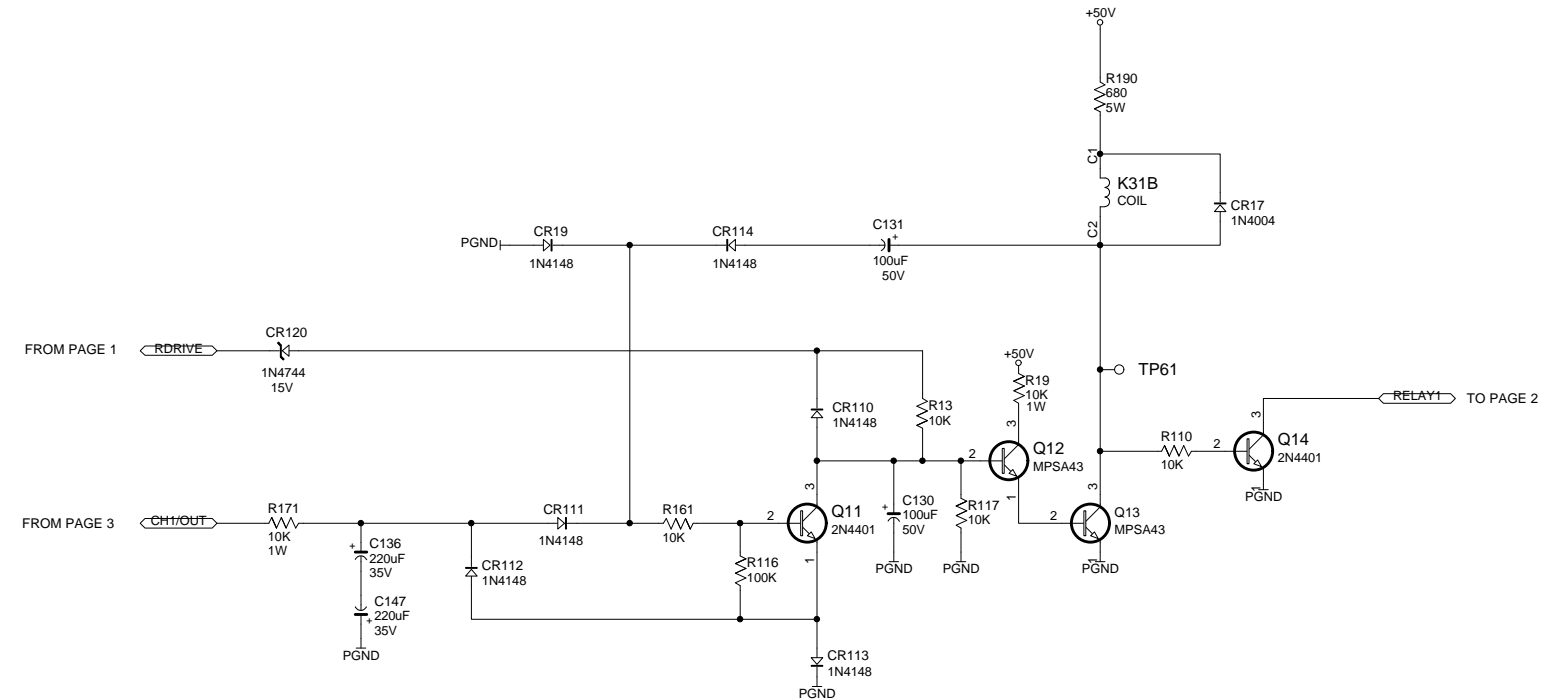


NOTES: UNLESS OTHERWISE SPECIFIED.
 1. ALL RESISTORS VALUES ARE IN OHMS, 1/8W.
 2. ALL CAPACITORS ARE IN MICROFARADS.
 3. ALL FUSE RESISTORS 1/4W

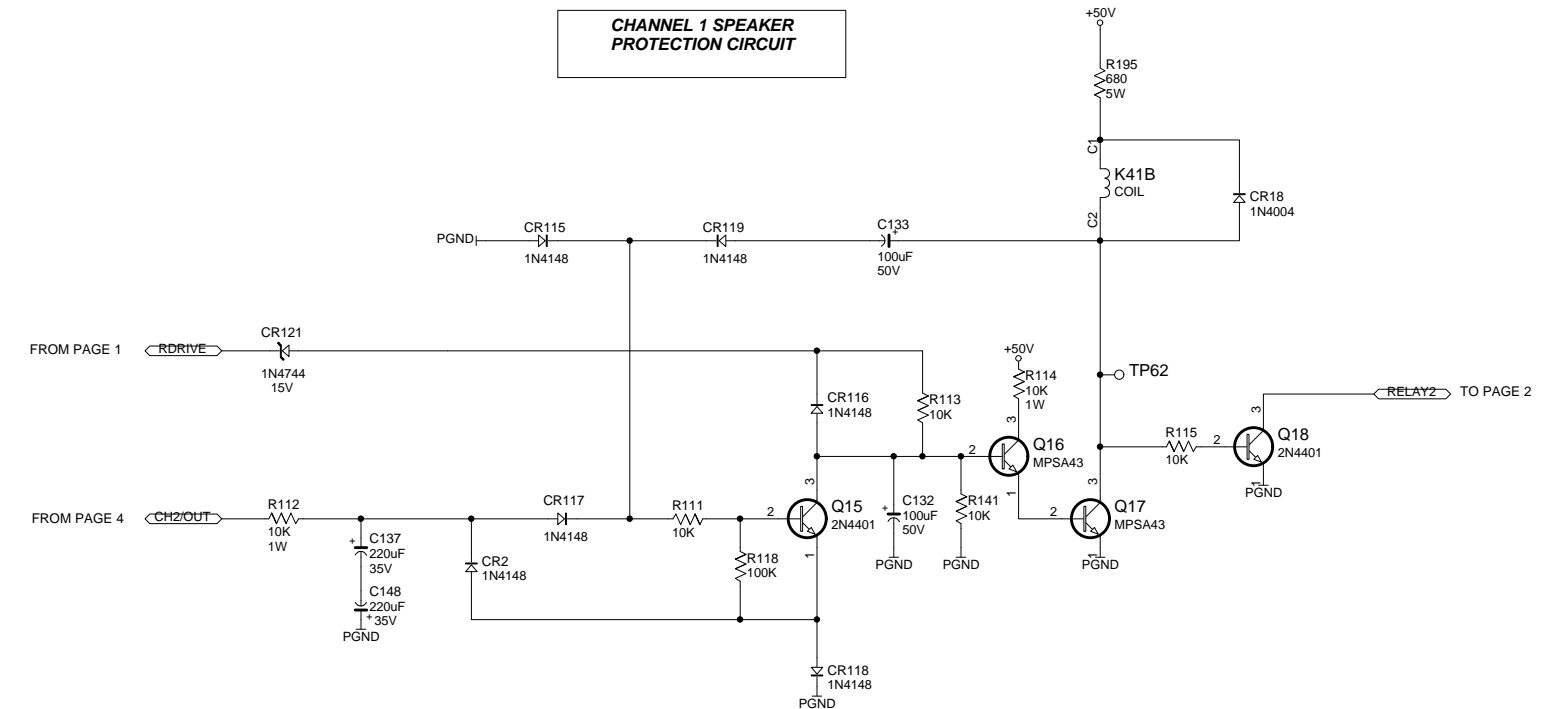
PROPRIETARY NOTICE
 THE INFORMATION CONTAINED IN THIS DOCUMENT IS PROPRIETARY TO PHOENIX GOLD AND SHALL NOT BE REPRODUCED OR DISCLOSED IN WHOLE OR IN PART WITHOUT PRIOR AUTHORIZATION FROM PHOENIX GOLD

CARVER PROFESSIONAL APPROVALS: CHECKED _____ DATE: _____ APPROVALS: ENGINEERING _____ DATE: _____		SCHEMATIC: AMP INPUT & GAIN STAGE CARVER P.X SERIES 1450	
		FILE: PX1450S5.SCH DRAWN BY: TIMOTHY	DWG No. 8000.0102 REV C

REVISIONS			
REV	ECO	DESCRIPTION	DATE
A	2113	PRODUCTION RELEASE	03-19-97
B	2432	INPUT CIRCUIT RE-DESIGN	10-23-97
C	2886	Q12, 13, 14 & 15 WERE STP55N06 (SHEET 8)	10-31-99



CHANNEL 1 SPEAKER PROTECTION CIRCUIT

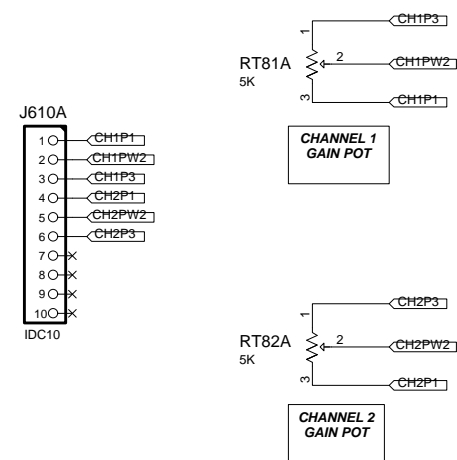


CHANNEL 2 SPEAKER PROTECTION CIRCUIT

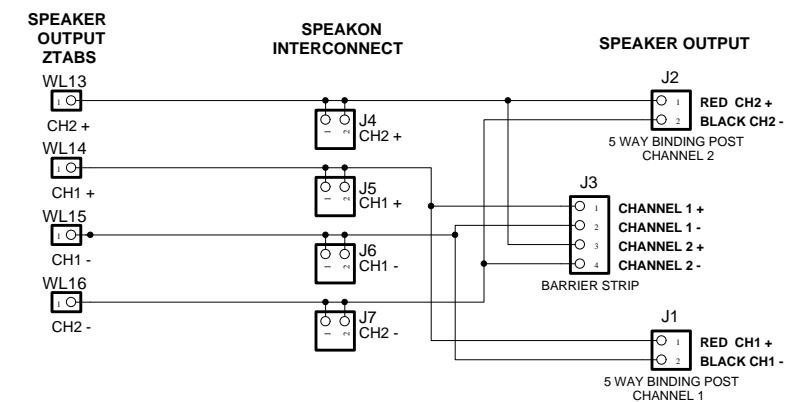
PROPRIETARY NOTICE
 THE INFORMATION CONTAINED IN THIS DOCUMENT IS
 PROPRIETARY TO PHOENIX GOLD AND SHALL NOT BE
 REPRODUCED OR DISCLOSED IN WHOLE OR IN PART
 WITHOUT PRIOR AUTHORIZATION FROM PHOENIX GOLD

CARVER PROFESSIONAL		SCHEMATIC: SPEAKER PROTECTION CARVER PX SERIES 850	
		SIZE: B DATE: 8-Nov-1999 FILE: PX850S9.SCH DRAWN BY: TIMOTHY	DWG No. 8000.0101 REV C SHEET 6 OF 9
APPROVALS: CHECKED:	DATE:	APPROVALS: ENGINEERING:	DATE:

REVISIONS			
REV	ECO	DESCRIPTION	DATE
A	2113	PRODUCTION RELEASE	03-19-97
B	2432	INPUT CIRCUIT RE-DESIGN	10-23-97
C	2886	Q12, 13, 14 & 15 WERE STP55N06 (SHEET 8)	10-31-99



GAIN CONTROL



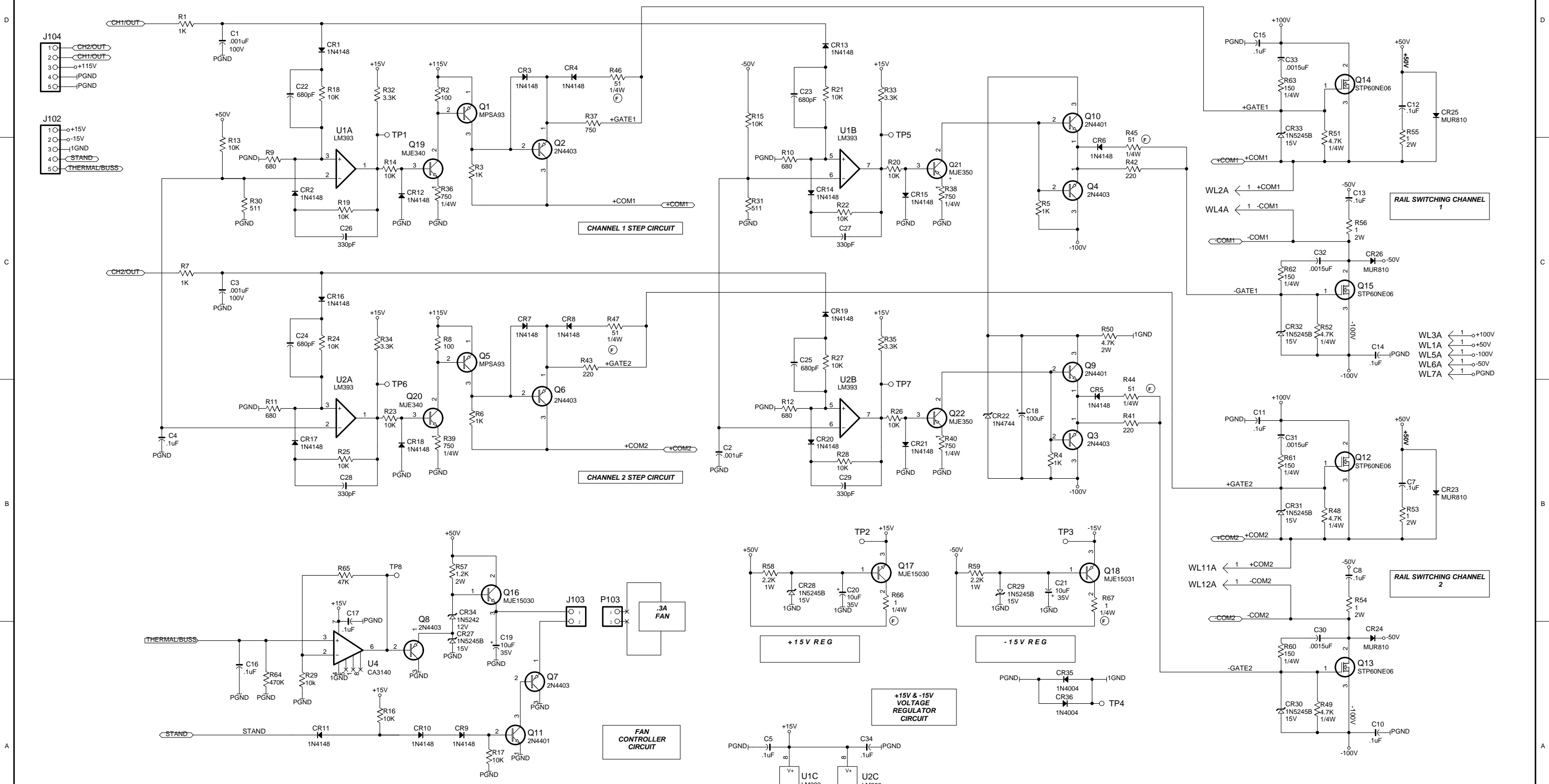
OUTPUT

- NOTES: UNLESS OTHERWISE SPECIFIED.
1. ALL RESISTORS VALUES ARE IN OHMS, 1/8W.
 2. ALL CAPACITORS ARE IN MICROFARADS.
 3. ALL FUSE RESISTORS 1/4W

PROPRIETARY NOTICE
THE INFORMATION CONTAINED IN THIS DOCUMENT IS
PROPRIETARY TO PHOENIX GOLD AND SHALL NOT BE
REPRODUCED OR DISCLOSED IN WHOLE OR IN PART
WITHOUT PRIOR AUTHORIZATION FROM PHOENIX GOLD

CARVER PROFESSIONAL		SCHEMATIC: GAIN CONTROL & OUTPUT CARVER PXSERIES1450	
		DATE: 8-Nov-1999	DWG No. 8000.0102
APPROVALS: CHECKED:	DATE:	APPROVALS: ENGINEERING:	DATE:
FILE: PX1500S7.SCH		REV C	
DRAWN BY: TIMOTHY		SHEET 7 OF 9	

REVISIONS			
REV	ECO	DESCRIPTION	DATE
A	2113	PRODUCTION RELEASE	03-19-97
B	2432	INPUT CIRCUIT RE-DESIGN	10-23-97
C	2886	Q12, 13, 14 & 15 WERE STP55N06	10-31-99

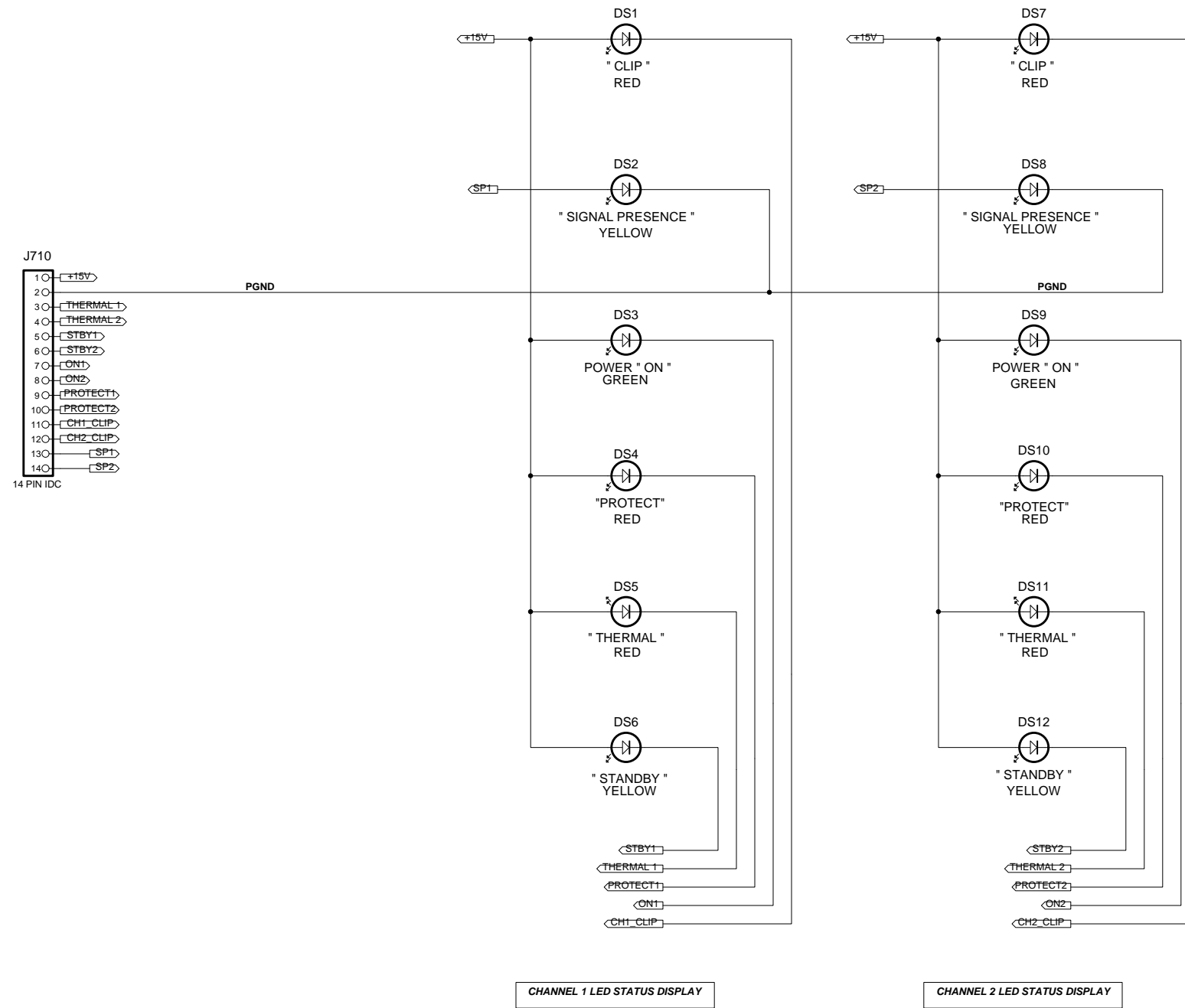


- NOTES: UNLESS OTHERWISE SPECIFIED.
1. ALL RESISTORS VALUES ARE IN OHMS, 1/8W.
 2. ALL CAPACITORS ARE IN MICROFARADS.
 3. ALL FUSE RESISTORS 1/4W

PROPRIETARY NOTICE
 THE INFORMATION CONTAINED IN THIS DOCUMENT IS PROPRIETARY TO PHOENIX GOLD AND SHALL NOT BE REPRODUCED OR DISCLOSED IN WHOLE OR IN PART WITHOUT PRIOR AUTHORIZATION FROM PHOENIX GOLD

CARVER PROFESSIONAL		SCHEMATIC: STEP CONTROL CARVER PXSERIES 1450	
		DATE: 8-Nov-1999	REV: C
APPROVALS: CHECKED	DATE:	APPROVALS: ENGINEERING	DATE:
FILE: PX1500S8 SCH	DWG No. 8000.0102	DRAWN BY: TIMOTHY	SHEET 8 OF 9

REVISIONS			
REV	ECO	DESCRIPTION	DATE
A	2113	PRODUCTION RELEASE	03-19-97
B	2432	INPUT CIRCUIT RE-DESIGN	10-23-97
C	2886	Q12, 13, 14 & 15 WERE STP55N06 (SHEET 8)	10-31-99



CHANNEL 1 LED STATUS DISPLAY

CHANNEL 2 LED STATUS DISPLAY

- NOTES: UNLESS OTHERWISE SPECIFIED.
1. ALL RESISTORS VALUES ARE IN OHMS, 1/8W.
 2. ALL CAPACITORS ARE IN MICROFARADS.
 3. ALL FUSE RESISTORS 1/4W

PROPRIETARY NOTICE
 THE INFORMATION CONTAINED IN THIS DOCUMENT IS PROPRIETARY TO PHOENIX GOLD AND SHALL NOT BE REPRODUCED OR DISCLOSED IN WHOLE OR IN PART WITHOUT PRIOR AUTHORIZATION FROM PHOENIX GOLD

CARVER PROFESSIONAL		SCHEMATIC: DISPLAY CARVER PXSERIES 1450	
		APPROVALS: CHECKED	DATE:
FILE: PX1500S6 SCH	DWG No. 8000.0102	REV C	DRAWN BY: TIMOTHY SHEET 9 OF 9