

XPA1000

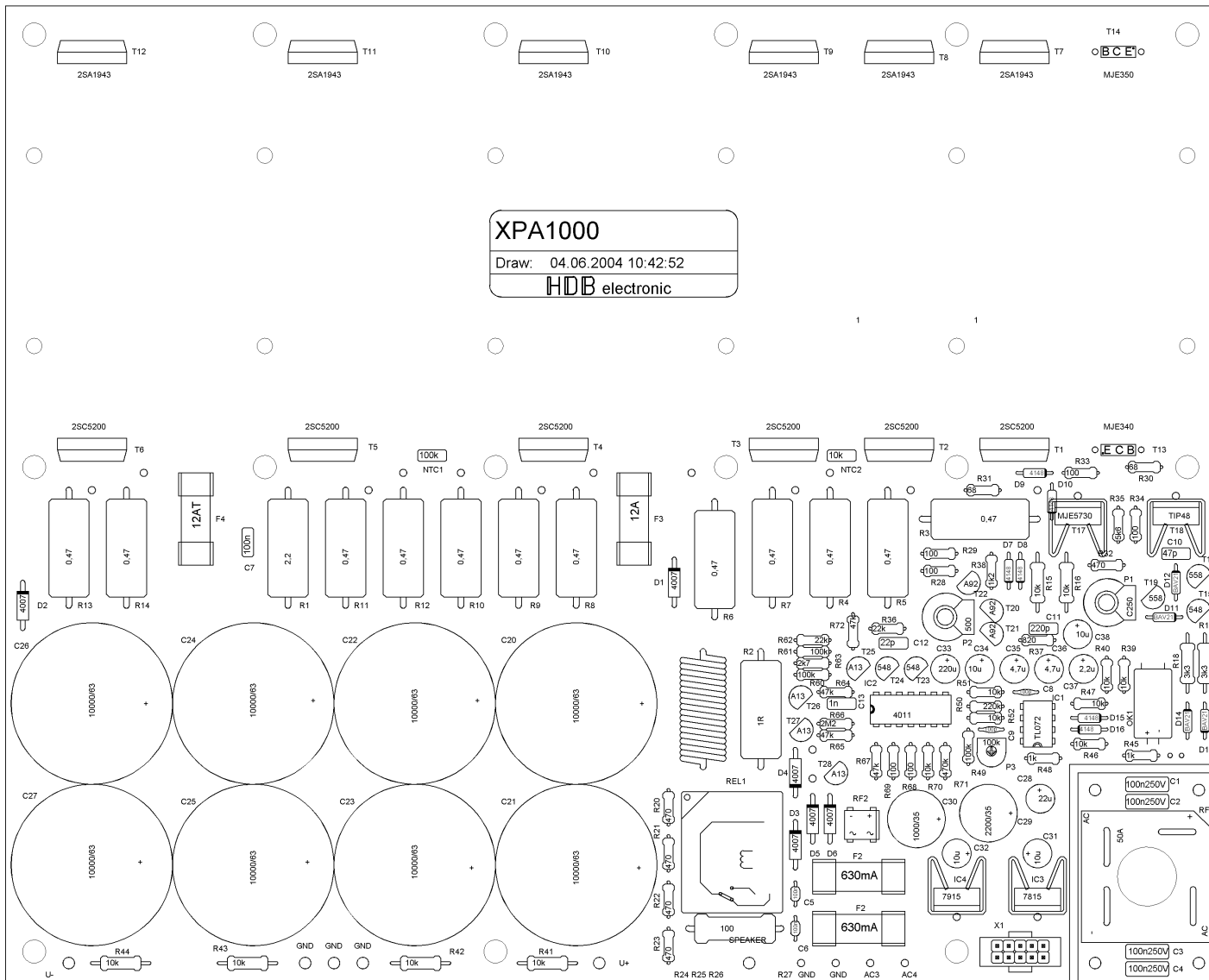
Date: 21.09.2004 09:00:22

HDB electronic

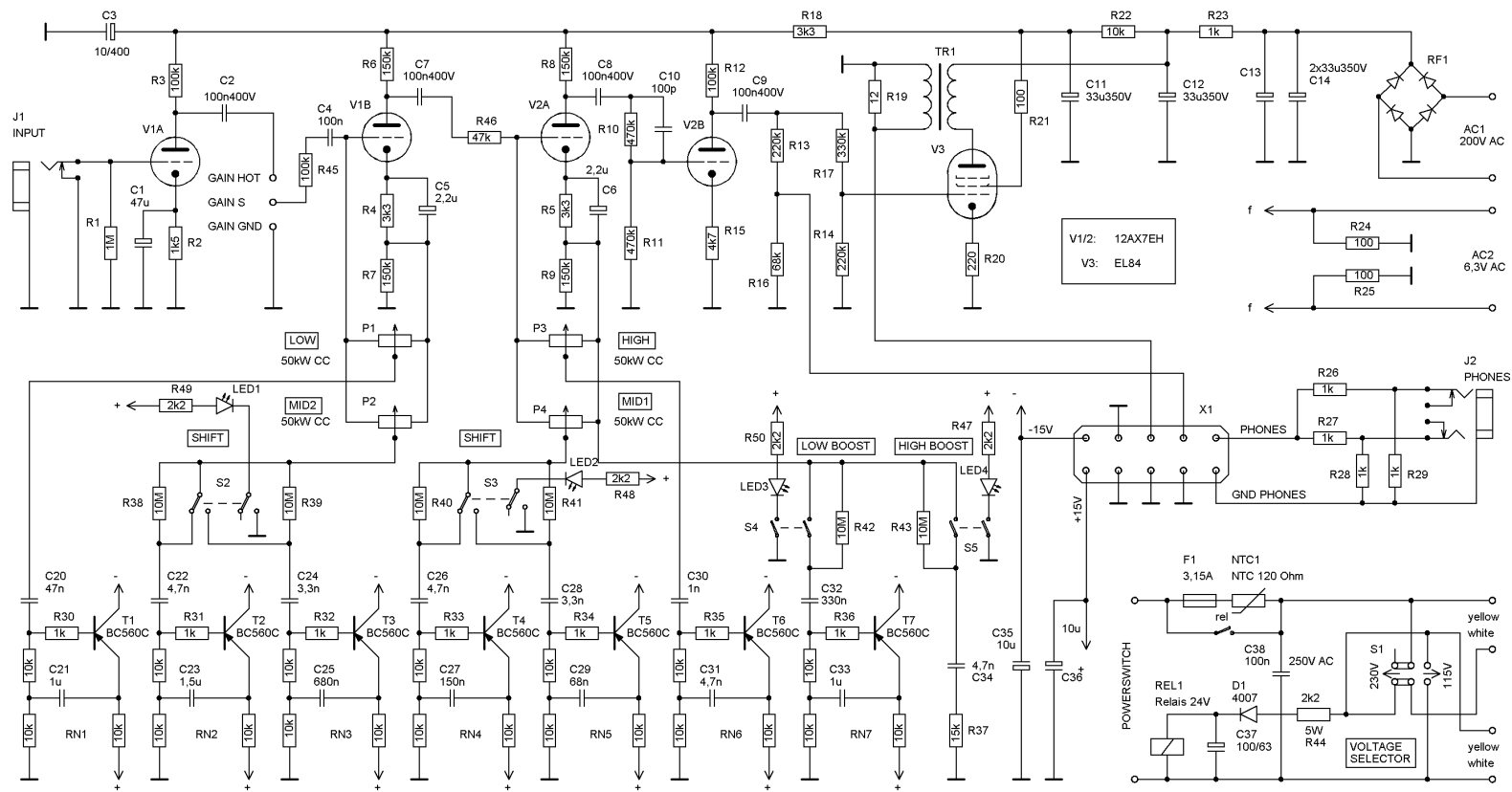
XPA1000

Draw: 04.06.2004 10:42:52

HDB electronic



-15V  
+15V  
REL  
PHONES  
GND  
IN

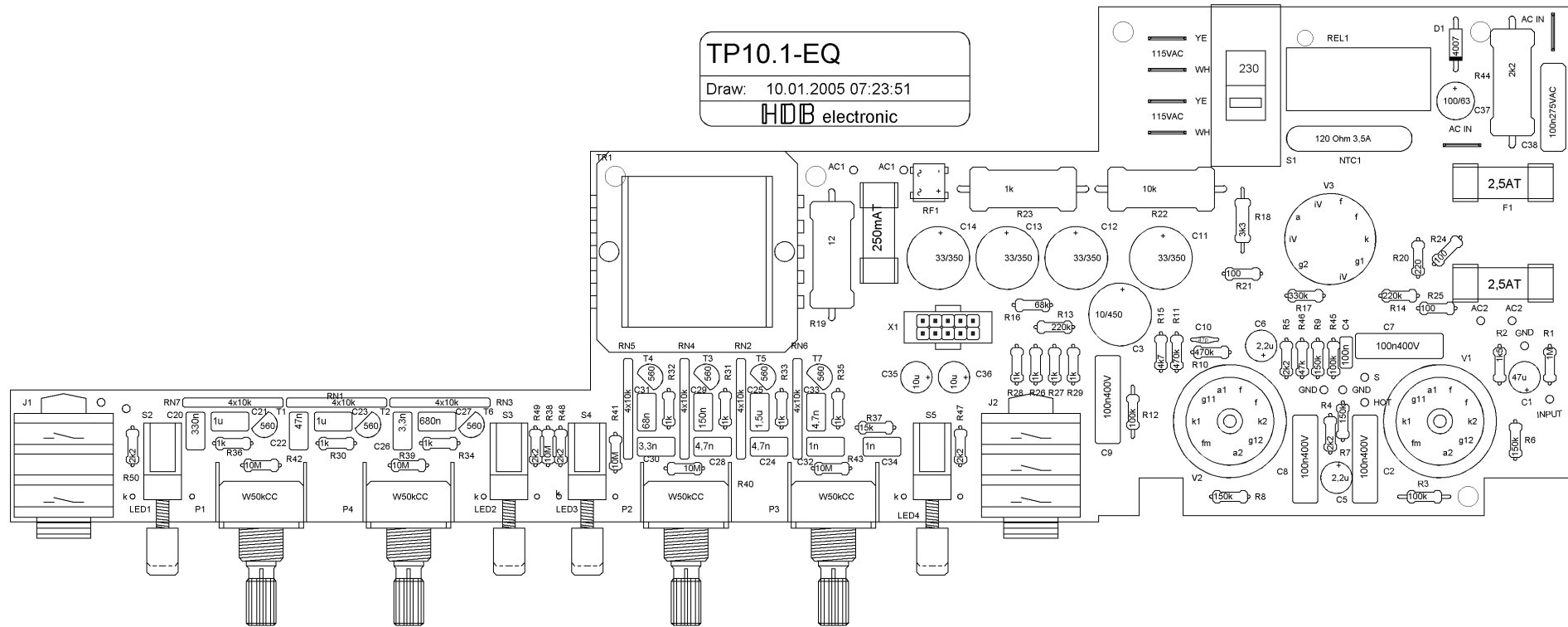


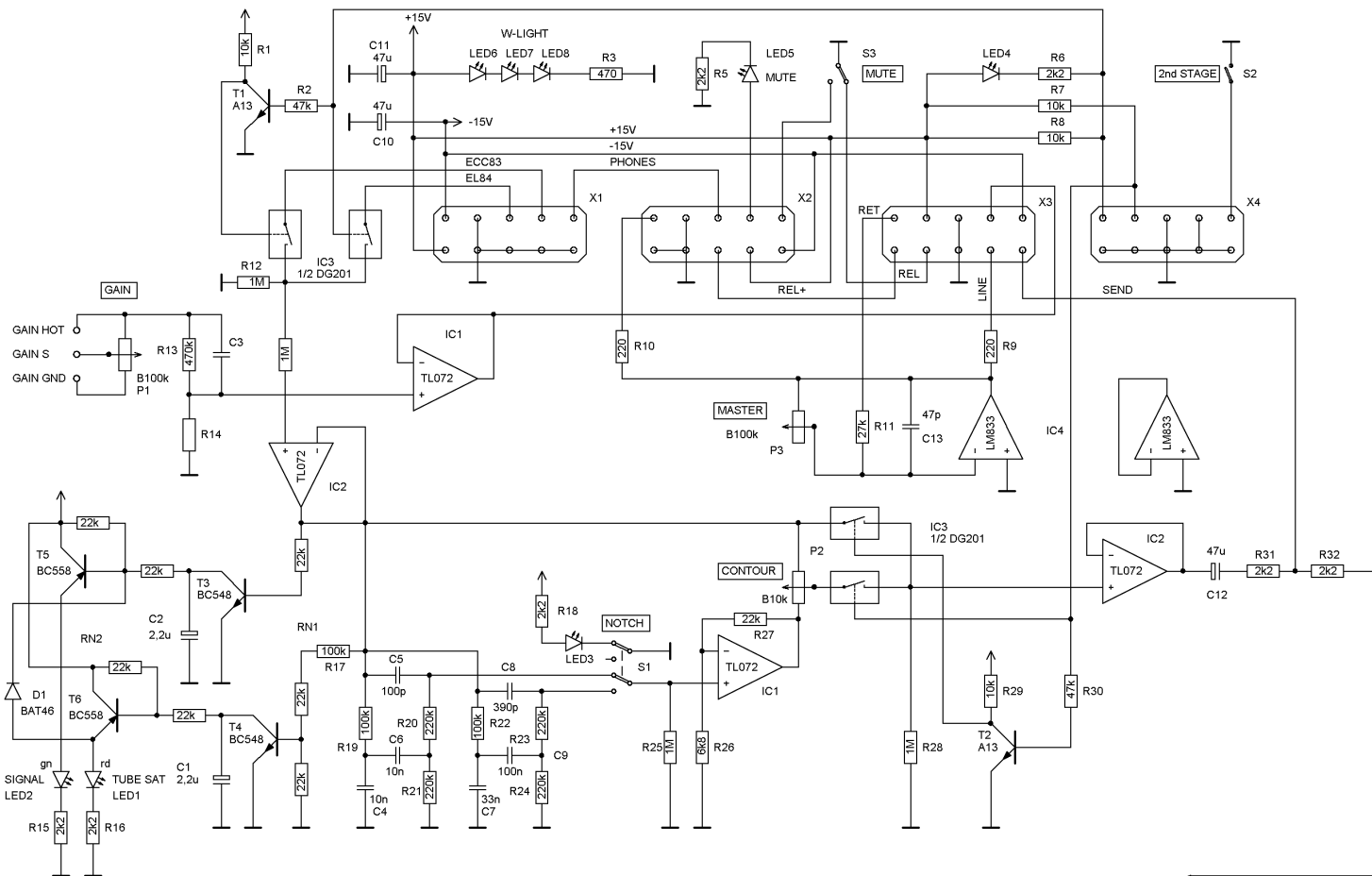
TP10.1-EQ

Date: 14.10.2004 09:18:32

HDB electronic

TP10.1-EQ  
 Draw: 10.01.2005 07:23:51  
 HDB electronic





**TP10.1-GM**  
 Date: 05.01.2005 13:31:29  
 HDB electronic



