

REVISIONS F (070900)

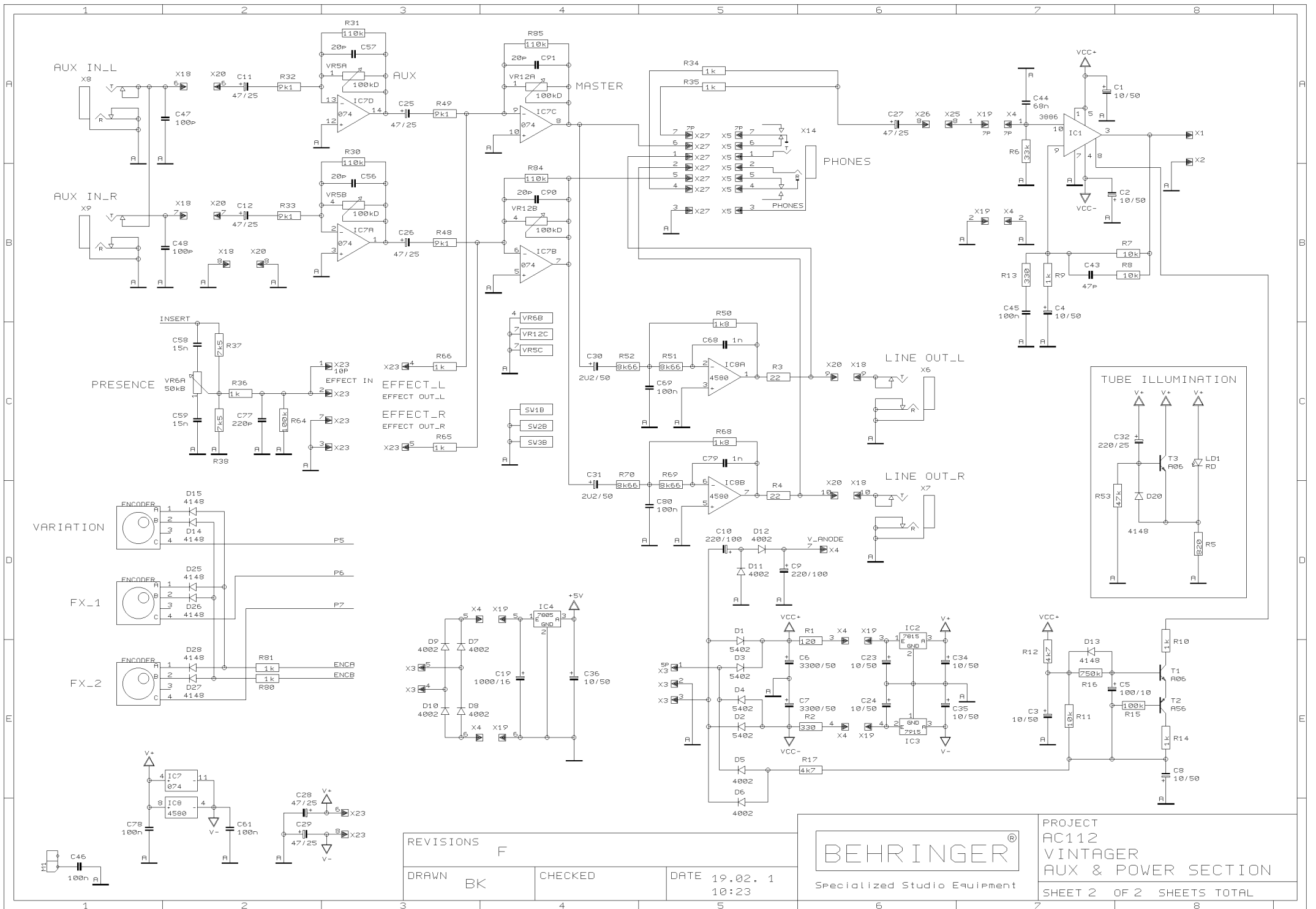
DRAWN BK

CHECKED

DATE 19.02. 1
10:23



PROJECT
AC112
VINTAGER
INPUT SECTION
SHEET 1 OF 2 SHEETS TOTAL



REVISIONS	F
DRAWN	BK
CHECKED	
DATE	19.02. 1 10:23



PROJECT
AC112
VINTAGER
AUX & POWER SECTION
SHEET 2 OF 2 SHEETS TOTAL