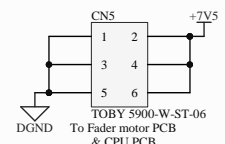
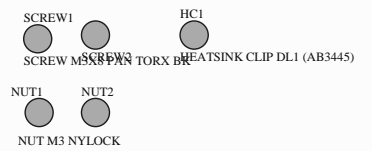
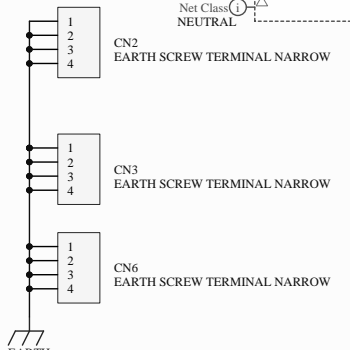
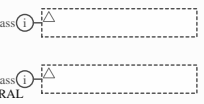
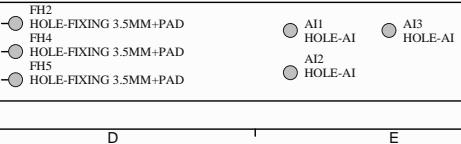
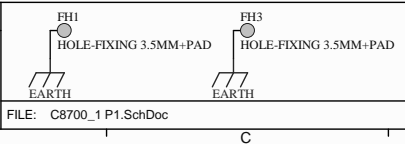


- LK1 LINK TCW
- LK2 LINK TCW
- LK3 LINK TCW
- LK4 LINK TCW
- LK5 LINK TCW
- LK6 LINK TCW
- LK7 LINK TCW
- LK8 LINK TCW
- LK9 LINK TCW
- LK10 LINK TCW
- LK11 LINK TCW
- LK12 LINK TCW
- LK13 LINK TCW
- LK14 LINK TCW
- LK15 LINK TCW
- LK16 LINK TCW
- LK17 LINK TCW
- LK18 LINK TCW
- LK19 LINK TCW
- LK20 LINK TCW
- LK21 LINK TCW
- LK22 LINK TCW



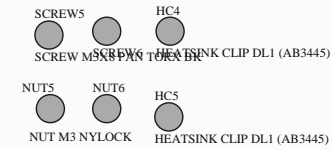
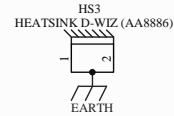
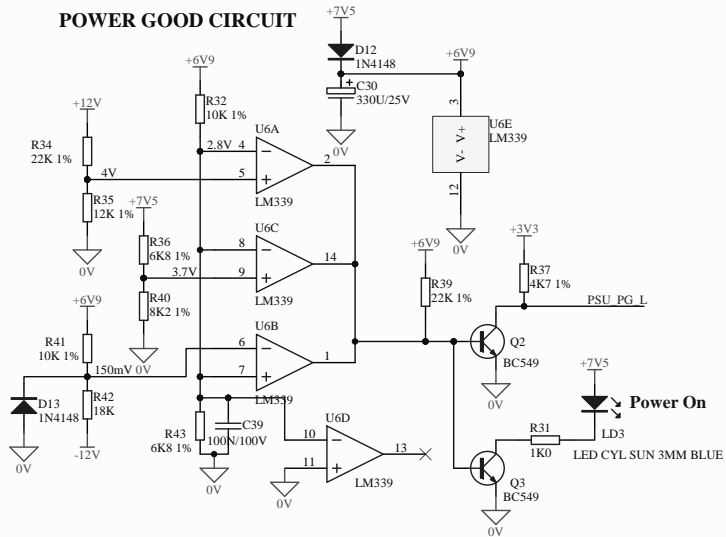
**ALLEN&HEATH**  
 Kernick Industrial Estate,  
 Penryn, Cornwall,  
 England. TR10 9LU  
 Tel: +44 (0)1326 372070  
 Fax: +44 (0)1326 370153

ISSUE	BY	DATE	CHK BY
A	IMcB	16/09/2011	
B	IMcB	5/04/2012	
C	IMcB	23/8/2012	
1	JB	14/12/2012	

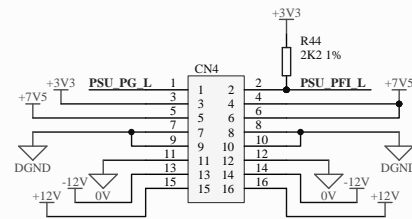
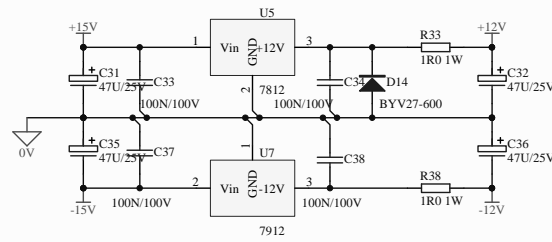


\* All parts to be RoHS Compliant

**POWER GOOD CIRCUIT**



**U5 & U7 mounted on Heatsink HS3**



BOX 2MM 8X2 M STRT LCK (AL6404)  
**PSU CN4**

**ALLEN&HEATH**

Kernick Industrial Estate,  
Penryn, Cornwall,  
England. TR10 9LU  
Tel: +44 (0)1326 372070  
Fax: +44 (0)1326 370153

ISSUE	BY	DATE	CHK BY
C	McB	23/8/2012	
I	JB	14/12/2012	

**Power Good / 12V regulators**

TITLE: **D16/24 PSU**

PAGE:

\* All parts to be RoHS Compliant

FILE: C8700\_1 additions.SchDoc

PRINTED: 10:29:35 AM/25/2013

DRG No: **C8700**

ISSUE: **1**

SHEET: **2 OF 2**

A B C D E F G H



Designator	Description	A&H PART
AI1	AI HOLE 3.1 mm	NO PART
AI2	AI HOLE 3.1 mm	NO PART
AI3	AI HOLE 3.1 mm	NO PART
BR1	BRIDGE 2KBP06M (AE3477)	AE3477
C1	CAPACITOR ELECTROLYTIC 10uF 25V (AF2983)	AF2983
C2	CAPACITOR DISK CERAMIC 470PF 50V (AF4371)	AF4371
C3	CAPACITOR ELECTROLYTIC 100uF 25V (AF0221)	AF0221
C4	CAPACITOR METALISED POLYESTER 100NF 275V X2 (AF3073)	AF3073
C5	CAPACITOR ELECTROLYTIC 3300uF 25V 105C 21.5mm HIGH(AF9025)	AF9025
C6	CAPACITOR ELECTROLYTIC 3300uF 25V 105C 21.5mm HIGH(AF9025)	AF9025
C7	CAPACITOR ELECTROLYTIC 3300uF 25V 105C 21.5mm HIGH(AF9025)	AF9025
C8	CAPACITOR ELECTROLYTIC 3300uF 25V 105C 21.5mm HIGH(AF9025)	AF9025
C9	CAPACITOR METALISED POLYESTER 2N2 250V Y2/X1 (AF3071)	AF3071
C10	CAPACITOR METALISED POLYESTER 100NF 275V X2 (AF3073)	AF3073
C11	CAPACITOR METALISED POLYESTER 2N2 250V Y2/X1 (AF3071)	AF3071
C12	CAPACITOR METALISED POLYESTER 220NF 275V X2 (AF8142)	AF8142
C13	CAPACITOR METALISED POLYESTER 2N2 250V Y2/X1 (AF3071)	AF3071
C14	CAPACITOR DISK CERAMIC 680pF 1KV (AF9026)	AF9026
C15	CAPACITOR MULTILAYER CERAMIC 47PF 1KV (AF3075)	AF3075
C16	CAPACITOR ELECTROLYTIC 180uF 400V 105C 26.5mm HIGH(AF9027)	AF9027
C17	CAPACITOR ELECTROLYTIC 180uF 400V 105C 26.5mm HIGH(AF9027)	AF9027
C18	CAPACITOR ELECTROLYTIC 330uF 25V LESR (AF3154)	AF3154
C19	CAPACITOR ELECTROLYTIC 100uF 25V (AF0221)	AF0221
C20	CAPACITOR ELECTROLYTIC 330uF 25V LESR (AF3154)	AF3154
C21	CAPACITOR ELECTROLYTIC 100uF 25V (AF0221)	AF0221
C22	CAPACITOR MULTILAYER CERAMIC 47PF 1KV (AF3075)	AF3075
C23	CAPACITOR ELECTROLYTIC 10uF 50V (AF0214)	AF0214
C24	CAPACITOR POLYESTER 100NF 63V 10% (AF0571)	AF0571
C25	CAPACITOR ELECTROLYTIC 47uF 50V LESR (AF5000)	AF5000
C26	CAPACITOR POLYESTER 330NF 50V 10% (AF0616)	AF0616
C27	CAPACITOR DISK CERAMIC 470PF 50V (AF4371)	AF4371
C28	CAPACITOR MULTILAYER CERAMIC 47PF 1KV (AF3075)	AF3075
C29	CAPACITOR POLYESTER 100NF 63V 10% (AF0571)	AF0571
C30	CAPACITOR ELECTROLYTIC 330uF 25V (AF0227)	AF0227
C31	CAPACITOR ELECTROLYTIC 47uF 25V (AF0208)	AF0208
C32	CAPACITOR ELECTROLYTIC 47uF 25V (AF0208)	AF0208
C33	CAPACITOR MULTILAYER CERAMIC 100NF 100V (AF2689)	AF2689
C34	CAPACITOR MULTILAYER CERAMIC 100NF 100V (AF2689)	AF2689
C35	CAPACITOR ELECTROLYTIC 47uF 25V (AF0208)	AF0208
C36	CAPACITOR ELECTROLYTIC 47uF 25V (AF0208)	AF0208
C37	CAPACITOR MULTILAYER CERAMIC 100NF 100V (AF2689)	AF2689
C38	CAPACITOR MULTILAYER CERAMIC 100NF 100V (AF2689)	AF2689
C39	CAPACITOR MULTILAYER CERAMIC 100NF 100V (AF2689)	AF2689
C40	CAPACITOR METALISED POLYESTER 100NF 275V X2 (AF3073)	AF3073
C41	CAPACITOR METALISED POLYESTER 100NF 275V X2 (AF3073)	AF3073
CMC1	CHOKE CM EPCOS 10mH 1A B82722 (AM5992)	AM5992
CN1	IEC FILTERED MAINS INLET 6A (AL3458)	AL3458
CN2	EARTH SCREW TERMINAL NARROW HORIZONTAL TYPE+ SCREW M3 (AA9000)	AA9000
CN3	EARTH SCREW TERMINAL NARROW HORIZONTAL TYPE+ SCREW M3 (AA9000)	AA9000

CN4	BOX 2MM 8X2 M STRT LCK (AL6404)	AL6404
CN5	TOBY 5900-W-ST-06 (AL9028)	AL9028
CN6	EARTH SCREW TERMINAL NARROW HORIZONTAL TYPE+ SCREW M3 (AA9000)	AA9000
D1	DIODE 1N4002 RECTIFIER (AE0005)	AE0005
D2	DIODE MBR2010OCT DUAL SCHOTTKY (AE9024)	AE9024
D3	DIODE BYV26E 1KV 1A (AE3470)	AE3470
D4	DIODE 1V5KE200A CLAMP (AE5960)	AE5960
D5	DIODE SF64G 6A (AE3935)	AE3935
D7	DIODE FAST RECOVERY RECTIFIER FR307G (AE9040)	AE9040
D8	DIODE SF14 RECTIFIER 1A 400V (AE3936)	AE3936
D9	DIODE SF64G 6A (AE3935)	AE3935
D10	DIODE MBR2010OCT DUAL SCHOTTKY (AE9024)	AE9024
D11	DIODE BYV26E 1KV 1A (AE3470)	AE3470
D12	DIODE 1N4148 SIGNAL (AE0007)	AE0007
D13	DIODE 1N4148 SIGNAL (AE0007)	AE0007
D14	DIODE BYV27-600 600V 2A (AE3469)	AE3469
F1	FUSE HOLDER 20mm (AL3178)	AL3178
HC1	HEATSINK CLIP DL1 (AB3445)	AB3445
HC2	HEATSINK CLIP DL1 (AB3445)	AB3445
HC3	HEATSINK CLIP DL1 (AB3445)	AB3445
HC4	HEATSINK CLIP DL1 (AB3445)	AB3445
HC5	HEATSINK CLIP DL1 (AB3445)	AB3445
HS1	HEATSINK D-WIZ HT (AA8885)	AA8885
HS2	HEATSINK D-WIZ (AA8886)	AA8886
HS3	HEATSINK D-WIZ (AA8886)	AA8886
JP1	LINK ASSIGNMENT TC WIRE ,AH0070	AH0070
JP2	LINK ASSIGNMENT TC WIRE ,AH0070	AH0070
L1	INDUCTOR WE-SD 2UH 10A (AM9029)	AM9029
L2	CHOKE 4.7UH (AM3567)	AM3567
L3	CHOKE 4.7UH (AM3567)	AM3567
LD3	LED CYL SUN 3mm CLEAR BLUE (AE5147)	AE5147
LK1	TC WIRE LINK ,AH0070	AH0070
LK2	TC WIRE LINK ,AH0070	AH0070
LK3	TC WIRE LINK ,AH0070	AH0070
LK4	TC WIRE LINK ,AH0070	AH0070
LK5	TC WIRE LINK ,AH0070	AH0070
LK6	TC WIRE LINK ,AH0070	AH0070
LK7	TC WIRE LINK ,AH0070	AH0070
LK8	TC WIRE LINK ,AH0070	AH0070
LK9	TC WIRE LINK ,AH0070	AH0070
LK10	TC WIRE LINK ,AH0070	AH0070
LK11	TC WIRE LINK ,AH0070	AH0070
LK12	TC WIRE LINK ,AH0070	AH0070
LK13	TC WIRE LINK ,AH0070	AH0070
LK14	TC WIRE LINK ,AH0070	AH0070
LK15	TC WIRE LINK ,AH0070	AH0070
LK16	TC WIRE LINK ,AH0070	AH0070
LK17	TC WIRE LINK ,AH0070	AH0070
LK18	TC WIRE LINK ,AH0070	AH0070
LK19	TC WIRE LINK ,AH0070	AH0070

LK20	TC WIRE LINK ,AH0070	AH0070
LK21	TC WIRE LINK ,AH0070	AH0070
LK22	TC WIRE LINK ,AH0070	AH0070
NTC1	INRUSH SUPPRESSOR THERMISTOR S 364/10/M NTC10R (AE8143)	AE8143
NUT1	NUT M3 NYLOCK (AB0102)	AB0102
NUT2	NUT M3 NYLOCK (AB0102)	AB0102
NUT3	NUT M3 NYLOCK (AB0102)	AB0102
NUT4	NUT M3 NYLOCK (AB0102)	AB0102
NUT5	NUT M3 NYLOCK (AB0102)	AB0102
NUT6	NUT M3 NYLOCK (AB0102)	AB0102
Q1	TRANSISTOR NPN BC549 (AE0020)	AE0020
Q2	TRANSISTOR NPN BC549 (AE0020)	AE0020
Q3	TRANSISTOR NPN BC549 (AE0020)	AE0020
R1	RESISTOR CARBON 68K 1/4W 5% (AC0062)	AC0062
R2	RESISTOR METAL FILM 1M2 1/2W 5% (AC3691)	AC3691
R3	RESISTOR METAL FILM 1M2 1/2W 5% (AC3691)	AC3691
R4	RESISTOR CARBON 22R PRE FORMED AXIAL 1/4W 5% (AC5425)	AC5425
R6	RESISTOR CARBON 47K 5% 2W (AC5143)	AC5143
R7	RESISTOR CARBON 68K 5% 2W (AC9041)	AC9041
R8	RESISTOR CARBON 68K 5% 2W (AC9041)	AC9041
R9	RESISTOR CARBON 470R 1/4W 5% (AC0024)	AC0024
R11	RESISTOR CARBON 2M2 1/4W 5% (AC0107)	AC0107
R12	RESISTOR CARBON 2M2 1/4W 5% (AC0107)	AC0107
R13	RESISTOR CARBON 470R 1/4W 5% (AC0024)	AC0024
R14	RESISTOR CARBON 10R 1/4W 5% (AC0002)	AC0002
R15	RESISTOR CARBON 220R 1/4W 5% (AC0018)	AC0018
R16	RESISTOR CARBON 15K 1/4W 5% (AC0048)	AC0048
R17	RESISTOR CARBON 15K 1/4W 5% (AC0048)	AC0048
R18	RESISTOR CARBON 1K0 1/4W 5% (AC0031)	AC0031
R19	RESISTOR CARBON 10K 1/4W 5% (AC0046)	AC0046
R20	RESISTOR CARBON 22R PRE FORMED AXIAL 1/4W 5% (AC5425)	AC5425
R21	RESISTOR CARBON 2M2 1/4W 5% (AC0107)	AC0107
R22	RESISTOR CARBON 2M2 1/4W 5% (AC0107)	AC0107
R23	RESISTOR CARBON 1K 1W 5% (AC3018)	AC3018
R24	RESISTOR METAL FILM 10K 1/4W 1% (AC0345)	AC0345
R25	RESISTOR METAL FILM 20K 1/4W 1% (AC3997)	AC3997
R26	RESISTOR CARBON 47R 1/4W 5% (AC0333)	AC0333
R27	RESISTOR CARBON 270R 1/4W 5% (AC0020)	AC0020
R28	RESISTOR METAL FILM 10K 1/4W 1% (AC0345)	AC0345
R29	RESISTOR CARBON 47R 1/4W 5% (AC0333)	AC0333
R30	RESISTOR WIRE WOUND 2R2 1W (AC4009)	AC4009
R31	RESISTOR CARBON 1K0 1/4W 5% (AC0031)	AC0031
R32	RESISTOR METAL FILM 10K 1/4W 1% (AC0345)	AC0345
R33	RESISTOR WIRE WOUND 1R0 1W (AC3461)	AC3461
R34	RESISTOR METAL FILM 22K 1/4W 1% (AC0110)	AC0110
R35	RESISTOR METAL FILM 12K 1/4W 1% (AC0360)	AC0360
R36	RESISTOR METAL FILM 6K8 1/4W 1% (AC0102)	AC0102
R37	RESISTOR METAL FILM 4K7 1/4W 1% (AC0331)	AC0331
R38	RESISTOR WIRE WOUND 1R0 1W (AC3461)	AC3461
R39	RESISTOR METAL FILM 22K 1/4W 1% (AC0110)	AC0110

R40	RESISTOR METAL FILM 8K2 1/4W 1% (AC0111)	AC0111
R41	RESISTOR METAL FILM 10K 1/4W 1% (AC0345)	AC0345
R42	RESISTOR CARBON 18K 1/4W 5% (AC0049)	AC0049
R43	RESISTOR METAL FILM 6K8 1/4W 1% (AC0102)	AC0102
R44	RESISTOR METAL FILM 2K2 1/4W 1% (AC0039)	AC0039
SCREW1	SCREW M3X8 PAN TORX BK (AB0073)	AB0073
SCREW2	SCREW M3X8 PAN TORX BK (AB0073)	AB0073
SCREW3	SCREW M3X8 PAN TORX BK (AB0073)	AB0073
SCREW4	SCREW M3X8 PAN TORX BK (AB0073)	AB0073
SCREW5	SCREW M3X8 PAN TORX BK (AB0073)	AB0073
SCREW6	SCREW M3X8 PAN TORX BK (AB0073)	AB0073
SW1	SW DPST SOLTEAM MAINS PS3-22-P3AV (DO NOT USE)(AL3338)	AL3338
TX1	TRANSFORMER ETD29 D24/16	AM8743
U1	IC OPTO ISOLATOR (AE0266)	AE0266
U2	Top261EN	AE9039
U3	IC OPTO ISOLATOR (AE0266)	AE0266
U4	PROGRAMMABLE VOLTAGE REFERENCE (AE3475)	AE3475
U5	REG 7812 12V (AE3588)	AE3588
U6	IC LM339 COMPARATOR (AE0071)	AE0071
U7	REG 7912 -12V (AE3589)	AE3589
VR1	PRESET CARBON 10K H/VADJ (AC0250)	AC0250