

SA-WMSP75/WMSP85

SERVICE MANUAL

Ver 1.4 2004.01



photo: SA-WMSP75

US Model
Canadian Model
SA-WMSP75/WMSP85
AEP Model
UK Model
E Model
Australian Model
SA-WMSP85

- SA-WMSP75/WMSP85 are the sub woofer section HT-DDW750, HT-1800DP, HT-6600DP and HT-1750DP.

SPECIFICATION

POWER OUTPUT AND TOTAL HARMONIC DISTORTION:

With 6 ohm loads, from 28 – 200 Hz; rated 75 watts (SA-WMSP75) / 100 watts (SA-WMSP85), minimum RMS power, with no more than 0.8% total harmonic distortion from 250 milliwatts to rated output (Models of area code U only).

Speaker system	Active subwoofer, magnetically shielded
Speaker unit	Woofer: 20 cm cone type
Enclosure type	Acoustically loaded bass reflex

Continuous RMS power output (6 ohms, 20 – 250 Hz)

SA-WMSP75	75 W
SA-WMSP85	100 W

Reproduction frequency range

28Hz – 200 Hz

High frequency cut-off frequency

150 Hz

Input	LINE IN (input pin jacks)
--------------	---------------------------

Power requirements

Area code	Power requirements
U, CA, MX	120 V AC, 60 Hz
CEL, CEK, SP, AU	230 V AC, 50/60 Hz
E2	120/220/230 V AC, 50/60 Hz

Power consumption

SA-WMSP75	75 W
SA-WMSP85	100 W

Dimensions (w/h/d)

Approx. 270 × 325 × 398 mm (10 3/4 × 12 7/8 × 15 3/4 inches) including front panel

Mass

SA-WMSP85	10.0 kg (22 lb 1 oz)
SA-WMSP75	9.0 kg (19 lb 14 oz)

- Abbreviation
 - AU : Australian model
 - CA : Canadian model
 - CEK : UK model
 - CEL : AEP model
 - MX : Mexican model
 - SP : Singapore model
 - U : US model

ACTIVE SUBWOOFER

9-877-044-05
2004A16-1
© 2004.01

Sony Corporation
Home Audio Company
Published by Sony Engineering Corporation

SONY®

SAFETY CHECK-OUT

After correcting the original service problem, perform the following safety checks before releasing the set to the customer: Check the antenna terminals, metal trim, “metallized” knobs, screws, and all other exposed metal parts for AC leakage. Check leakage as described below.

LEAKAGE

The AC leakage from any exposed metal part to earth ground and from all exposed metal parts to any exposed metal part having a return to chassis, must not exceed 0.5 mA (500 microamperes). Leakage current can be measured by any one of three methods.

1. A commercial leakage tester, such as the Simpson 229 or RCA WT-540A. Follow the manufacturers' instructions to use these instruments.
2. A battery-operated AC milliammeter. The Data Precision 245 digital multimeter is suitable for this job.
3. Measuring the voltage drop across a resistor by means of a VOM or battery-operated AC voltmeter. The “limit” indication is 0.75 V, so analog meters must have an accurate low-voltage scale. The Simpson 250 and Sanwa SH-63Trd are examples of a passive VOM that is suitable. Nearly all battery operated digital multimeters that have a 2V AC range are suitable. (See Fig. A)

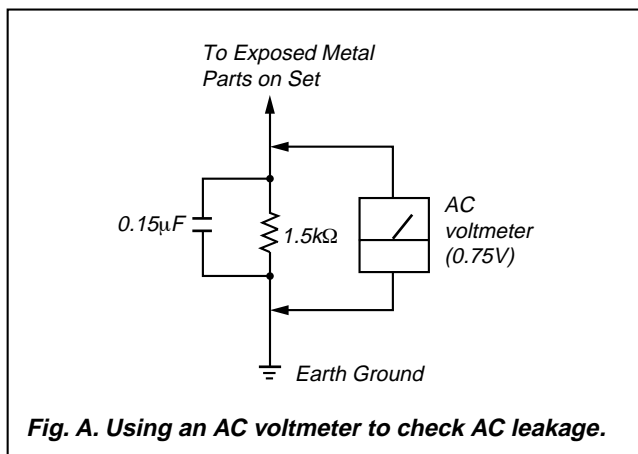


Fig. A. Using an AC voltmeter to check AC leakage.

Unleaded solder

Boards requiring use of unleaded solder are printed with the lead-free mark (LF) indicating the solder contains no lead.

(Caution: Some printed circuit boards may not come printed with the lead free mark due to their particular size.)

LF : LEAD FREE MARK

Unleaded solder has the following characteristics.

- Unleaded solder melts at a temperature about 40°C higher than ordinary solder.
Ordinary soldering irons can be used but the iron tip has to be applied to the solder joint for a slightly longer time. Soldering irons using a temperature regulator should be set to about 350°C.
Caution: The printed pattern (copper foil) may peel away if the heated tip is applied for too long, so be careful!
- Strong viscosity
Unleaded solder is more viscous (sticky, less prone to flow) than ordinary solder so use caution not to let solder bridges occur such as on IC pins, etc.
- Usable with ordinary solder
It is best to use only unleaded solder but unleaded solder may also be added to ordinary solder.

SAFETY-RELATED COMPONENT WARNING!!

COMPONENTS IDENTIFIED BY MARK \triangle OR DOTTED LINE WITH MARK \triangle ON THE SCHEMATIC DIAGRAMS AND IN THE PARTS LIST ARE CRITICAL TO SAFE OPERATION. REPLACE THESE COMPONENTS WITH SONY PARTS WHOSE PART NUMBERS APPEAR AS SHOWN IN THIS MANUAL OR IN SUPPLEMENTS PUBLISHED BY SONY.

ATTENTION AU COMPOSANT AYANT RAPPORT À LA SÉCURITÉ!

LES COMPOSANTS IDENTIFIÉS PAR UNE MARQUE \triangle SUR LES DIAGRAMMES SCHÉMATIQUES ET LA LISTE DES PIÈCES SONT CRITIQUES POUR LA SÉCURITÉ DE FONCTIONNEMENT. NE REMPLACER CES COMPOSANTS QUE PAR DES PIÈCES SONY DONT LES NUMÉROS SONT DONNÉS DANS CE MANUEL OU DANS LES SUPPLÉMENTS PUBLIÉS PAR SONY.

SECTION 1 DIAGRAMS

THIS NOTE IS COMMON FOR PRINTED WIRING BOARDS AND SCHEMATIC DIAGRAMS.
(In addition to this, the necessary note is printed in each block.)

Note on Printed Wiring Boards:

- : parts extracted from the component side.
- : parts extracted from the conductor side.
- : Pattern from the side which enables seeing.

Note on Schematic Diagram:

- All capacitors are in μF unless otherwise noted. p: pF. 50 WV or less are not indicated except for electrolytics and tantalums.
- ⊞ : nonflammable resistor.
- ⊞ : fusible resistor.
- All resistors are in Ω and $1/4\text{W}$ or less unless otherwise specified.
- : panel designation.

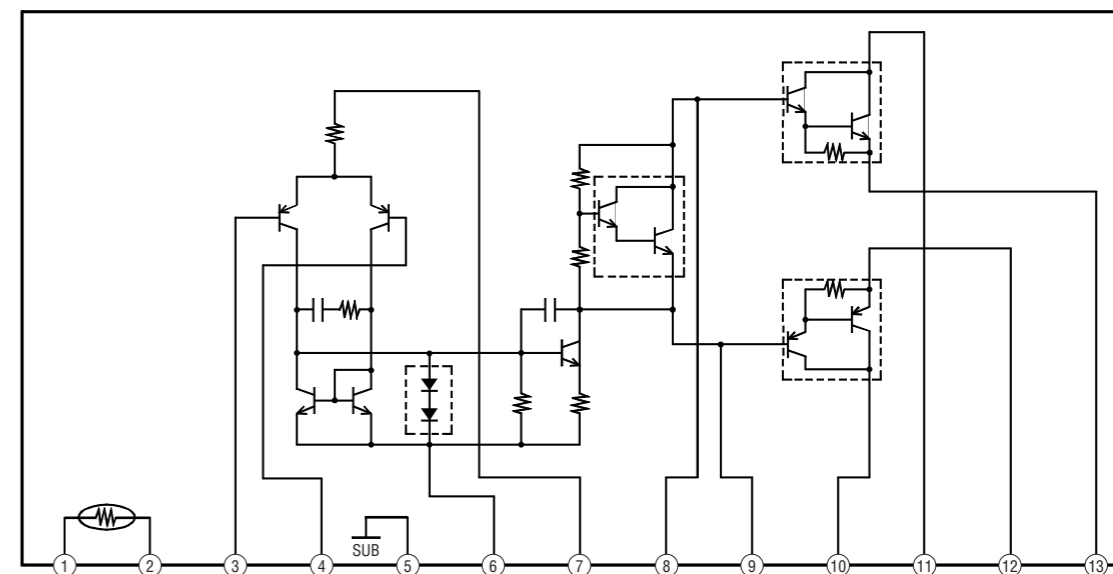
The components identified by mark Δ or dotted line with mark Δ are critical for safety. Replace only with part number specified.

Les composants identifiés par une marque Δ sont critiques pour la sécurité. Ne les remplacer que par une pièce portant le numéro spécifié.

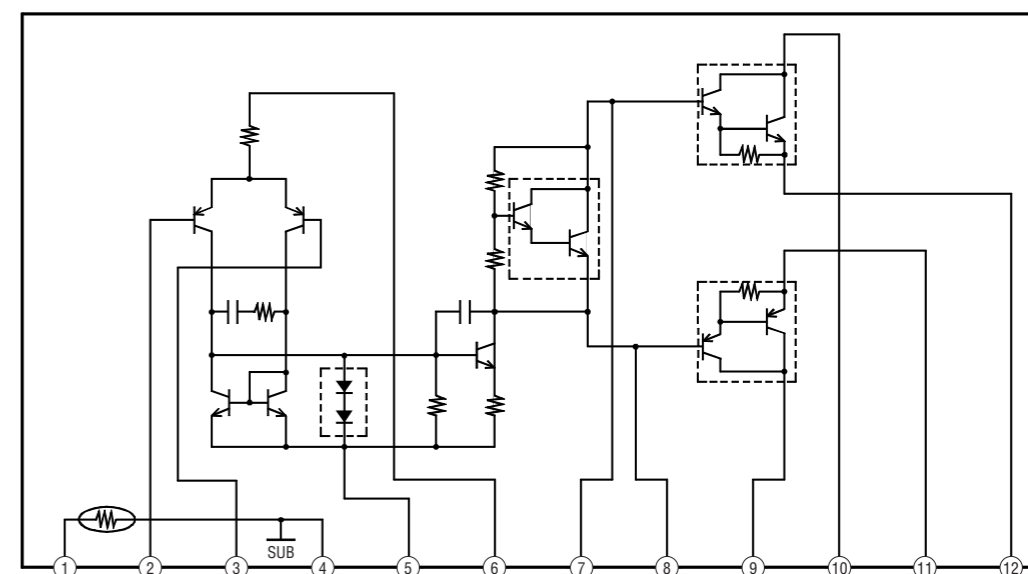
- : B+ Line.
- - - : B- Line.
- Voltages are dc with respect to ground under no-signal conditions.
no mark : Power on
- Voltages are taken with a VOM (Input impedance $10\text{M}\Omega$). Voltage variations may be noted due to normal production tolerances.
- Signal path.
- ⇒ : AUDIO
- Abbreviation
CND : Canadian model.
E2 : 120V AC Area in E model.
MX : Mexican model.

1-2. IC Block Diagrams

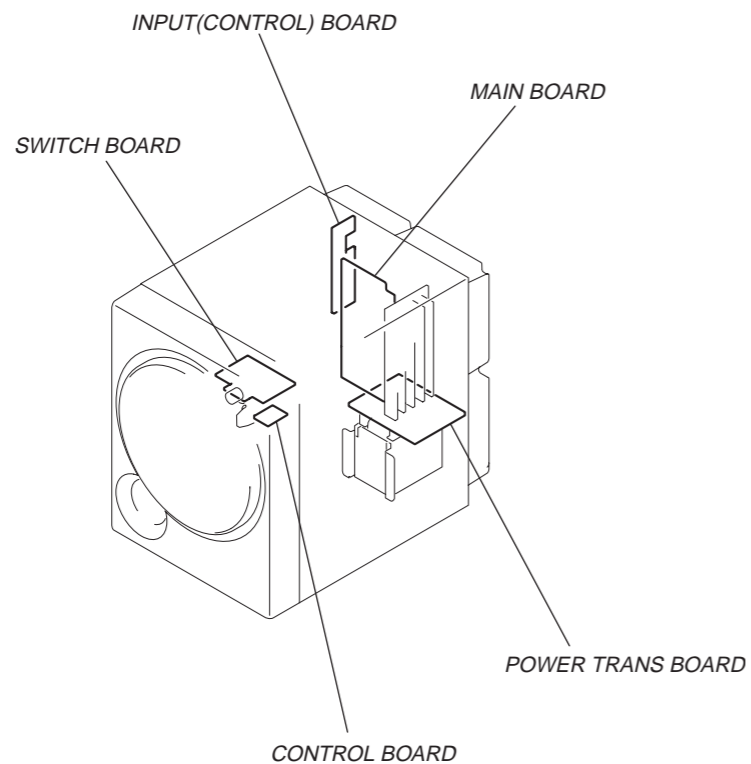
IC301 STK404-130S (MAIN Board)

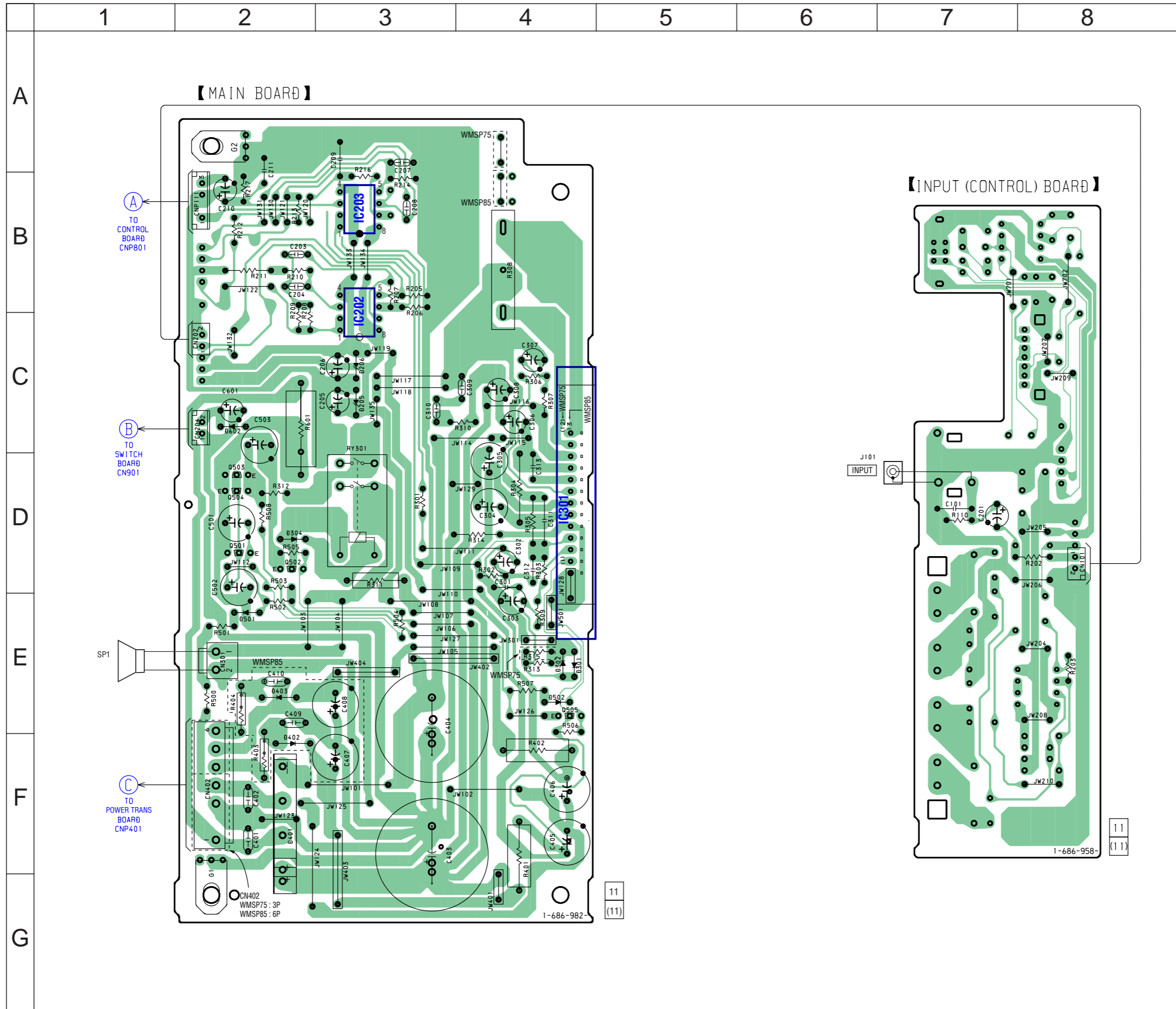


IC301 STK-404-100S (MAIN Board)

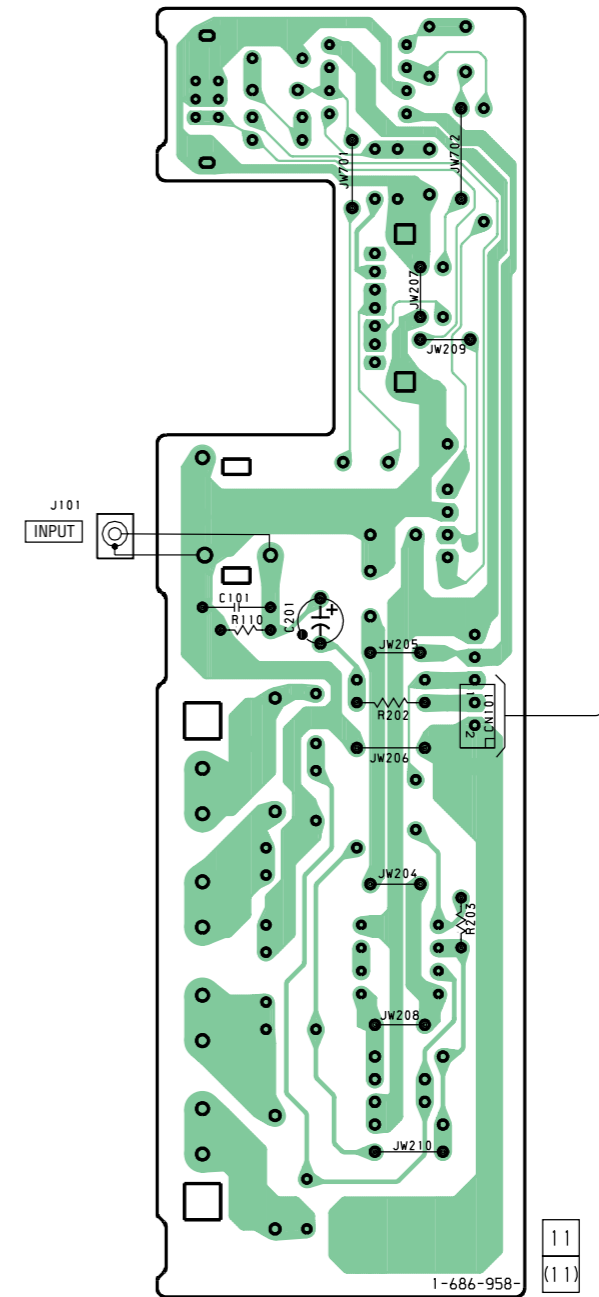


1-1. Circuit Board Location






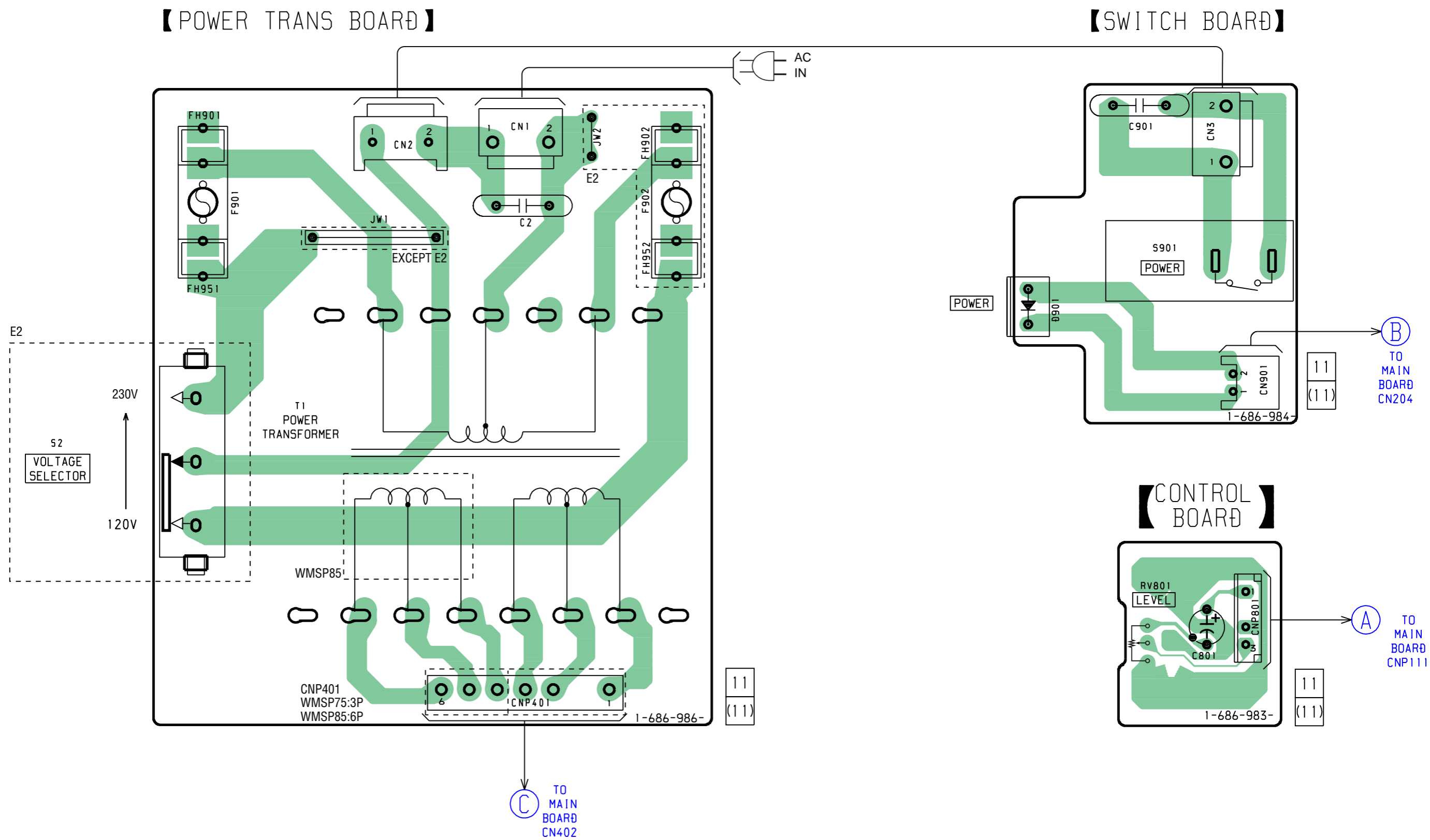
【INPUT (CONTROL) BOARD】

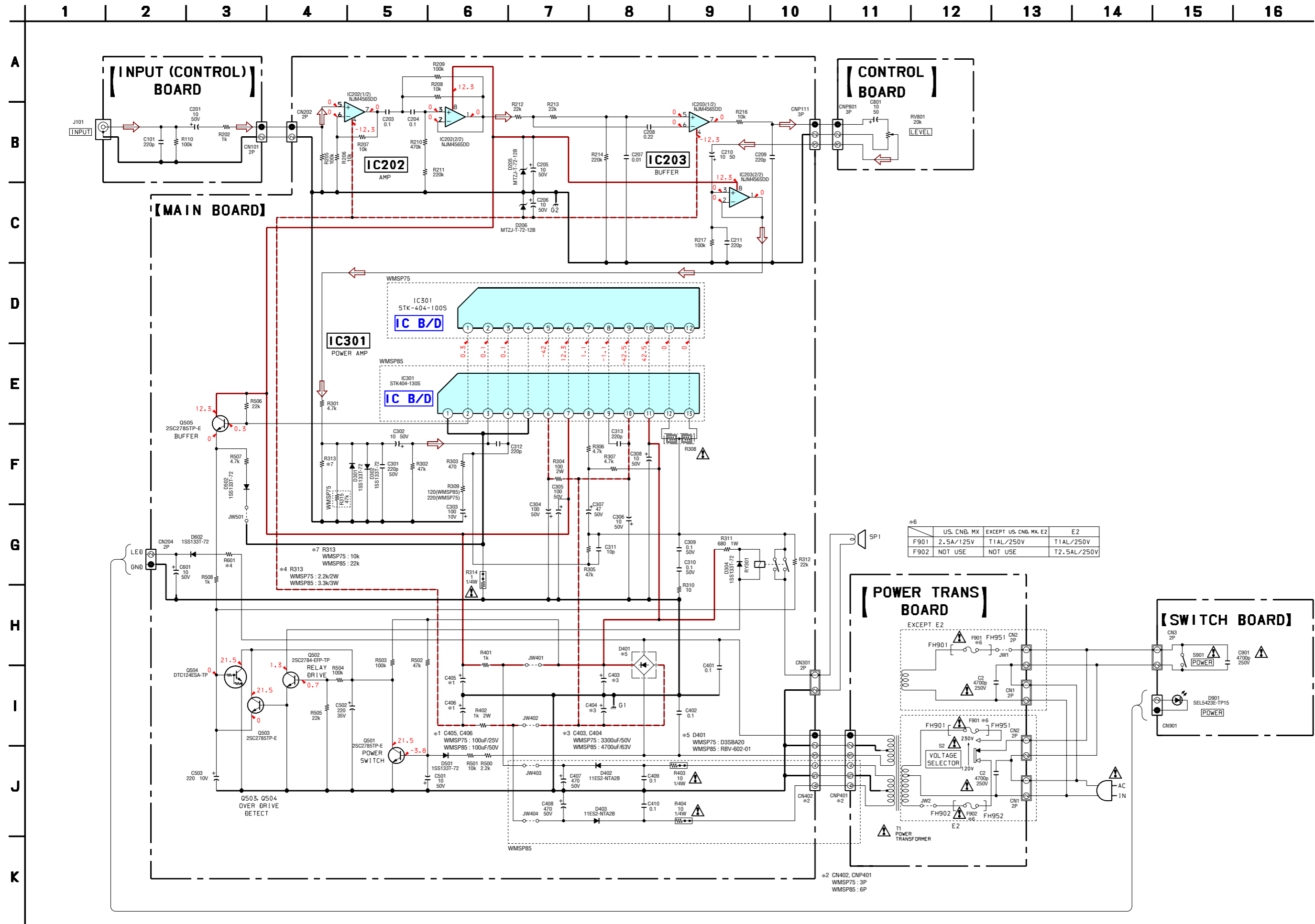


• Semiconductor Location

Ref. No.	Location
D205	C-3
D206	C-3
D301	E-4
D302	E-4
D304	D-2
D401	F-2
D402	F-2
D403	E-2
D501	E-2
D502	E-4
D602	C-2
IC202	B-3
IC203	B-3
IC301	D-4
Q501	D-2
Q502	D-2
Q503	D-2
Q504	D-2
Q505	E-4

1-4. Printed Wiring Board – POWER Section – • See page 3 for Circuit Boards Location. •  : Uses unleaded solder.





SECTION 2 EXPLODED VIEWS

NOTE:

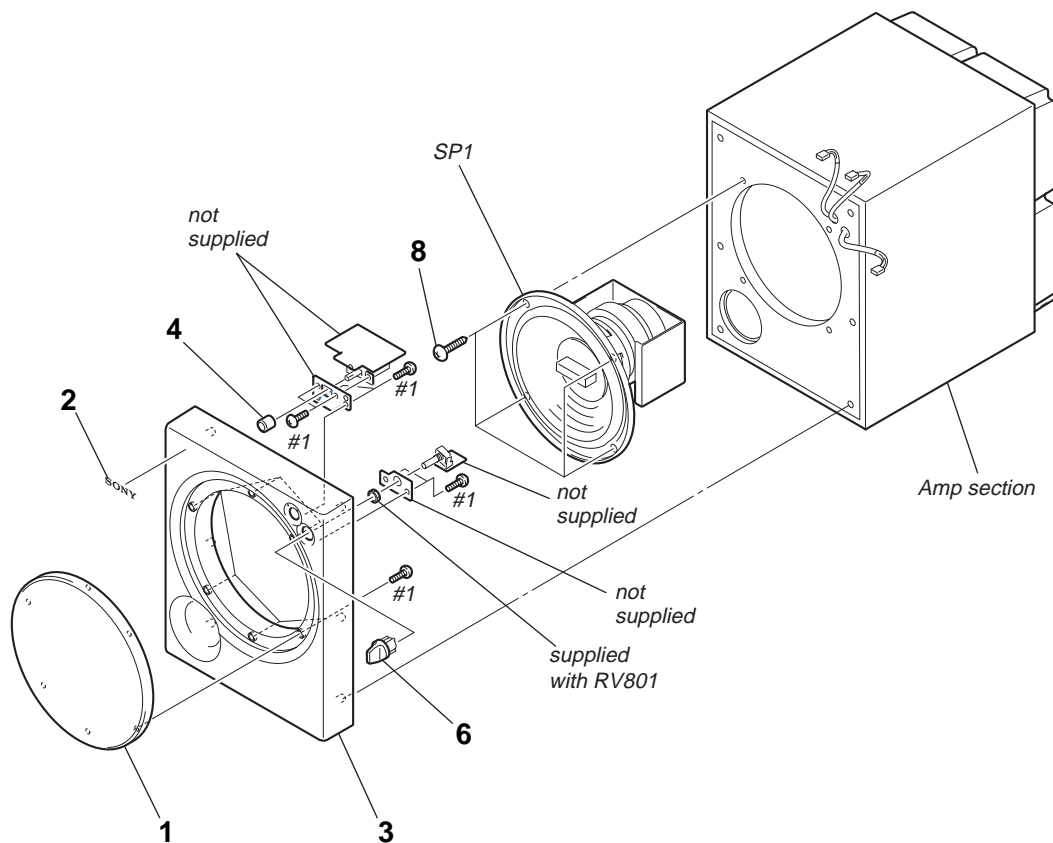
- -XX, -X mean standardized parts, so they may have some differences from the original one.
- Items marked “*” are not stocked since they are seldom required for routine service. Some delay should be anticipated when ordering these items.
- The mechanical parts with no reference number in the exploded views are not supplied.

- Abbreviation
 AUS : Australian model
 E2 : 120V AC Area in E model
 CND : Canadian model
 MX : Mexican model
 SP : Singapore model

The components identified by mark Δ or dotted line with mark Δ are critical for safety. Replace only with part number specified.

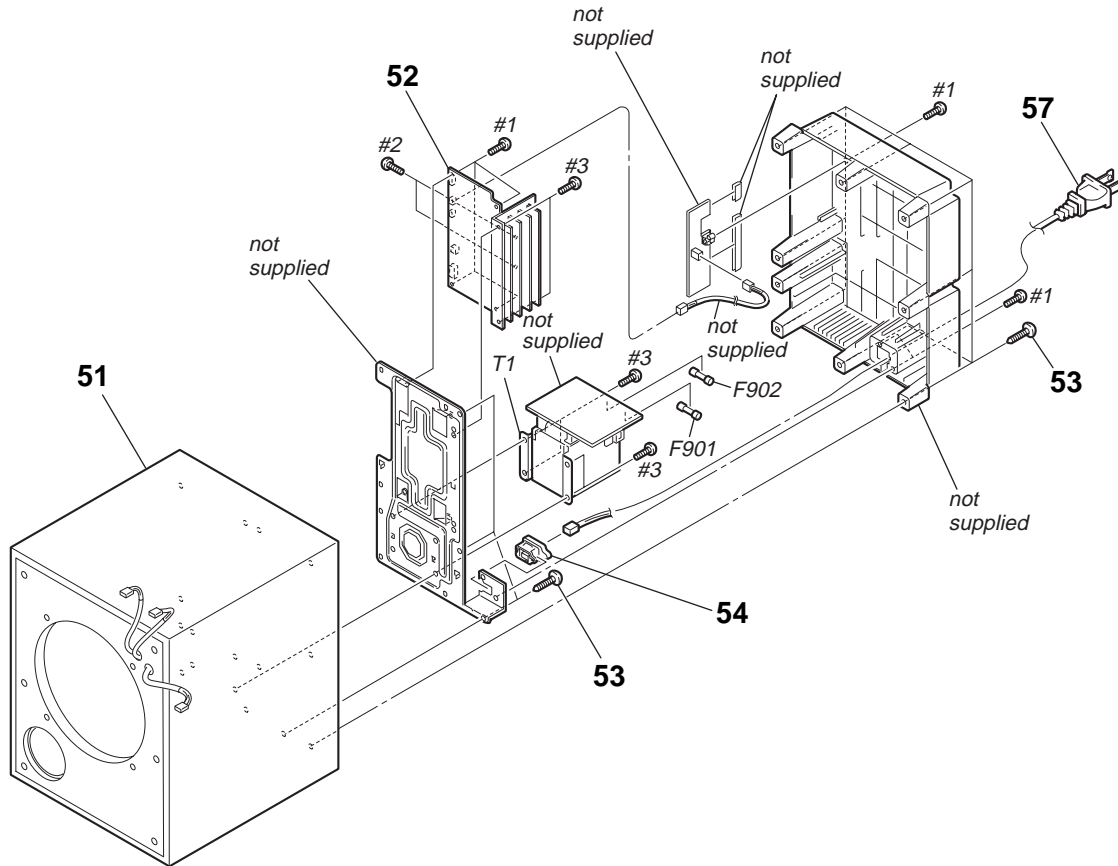
Les composants identifiés par une marque Δ sont critiques pour la sécurité. Ne les remplacer que par une pièce portant le numéro spécifié.

2-1. Front Section



Ref. No.	Part No.	Description	Remarks	Ref. No.	Part No.	Description	Remarks
1	4-243-842-01	NET, GRILLE (SILVER)		6	4-999-482-01	KNOB (VOL)(SILVER)	
1	4-243-842-11	NET, GRILLE (BLACK)		6	4-999-482-11	KNOB (VOL)(BLACK)	
2	4-998-417-02	EMBLEM (No.5), SONY		8	4-235-677-01	SCREW (4X20)(TYPE1), +BVTP	
3	4-243-834-01	PANEL, FRONT (SILVER)(US,CND)		SP1	1-529-995-12	SPEAKER (20cm)(WMSP75)	
3	4-243-834-11	PANEL, FRONT (BLACK)(WMSP75 : US)		SP1	1-825-004-13	SPEAKER (20cm)(WMSP85)	
3	4-243-834-21	PANEL, FRONT (SILVER)(EXCEPT US,CND)		#1	7-685-647-79	SCREW +BVTP 3X10 TYPE2 IT-3	
4	4-973-938-83	KNOB (A), PUSH					

2-2. Amp Section



Ref. No.	Part No.	Description	Remarks	Ref. No.	Part No.	Description	Remarks
51	A-4723-991-A	CABINET ASSY, SPEAKER (SILVER) (US,CND,E2,MX,AUS)		△ F901	1-533-450-11	FUSE, GLASS TUBE 2.5A/125V (US,CND,MX)	
51	A-4725-995-A	CABINET ASSY, SPEAKER (BLACK) (WMSP75 : US)		△ F901	1-532-463-51	FUSE T1A/250V (EXCEPT US,CND,MX)	
51	A-4723-998-A	CABINET ASSY, SPEAKER (SILVER)(AEP,UK,SP)		△ F902	1-532-464-31	FUSE T2.5A/250V (E2)	
52	A-4731-189-A	MAIN BOARD,COMPLETE (WMSP75)		△ T1	1-439-625-11	POWER TRANSFORMER (WMSP85 : US,CND,MX)	
52	A-4731-195-A	MAIN BOARD,COMPLETE (WMSP85)		△ T1	1-439-628-11	POWER TRANSFORMER (WMSP75 : US,CND	
53	4-235-677-01	SCREW (4X20)(TYPE1), +BVTP		△ T1	1-439-623-11	POWER TRANSFORMER (E2)	
* 54	3-703-244-00	BUSHING (2104), CORD		△ T1	1-439-624-11	POWER TRANSFORMER (AEP,UK,SP,AUS)	
△ 57	1-696-847-11	CORD, POWER (AUS)		#1	7-685-647-79	SCREW +BVTP 3X10 TYPE2 IT-3	
△ 57	1-769-744-11	CORD, POWER (AEP,UK,SP)		#2	7-685-650-79	SCREW +BVTP 3X16 TYPE2 IT-3	
△ 57	1-783-532-11	CORD, POWER (US,CND,MX)		#3	7-685-881-09	SCREW +BVTT 4X8 (S)	
△ 57	1-792-823-12	CORD, POWER (TRACKING)(E2)					

<p>The components identified by mark △ or dotted line with mark △ are critical for safety. Replace only with part number specified.</p>	<p>Les composants identifiés par une marque △ sont critiques pour la sécurité. Ne les remplacer que par une pièce portant le numéro spécifié.</p>
---	---

SECTION 3 ELECTRICAL PARTS LIST

CONTROL**INPUT(CONTROL)****MAIN****NOTE:**

- Due to standardization, replacements in the parts list may be different from the parts specified in the diagrams or the components used on the set.
- -XX, -X mean standardized parts, so they may have some difference from the original one.
- Items marked "*" are not stocked since they are seldom required for routine service. Some delay should be anticipated when ordering these items.
- CAPACITORS:
uF: μ F
- COILS
uH: μ H

- RESISTORS
All resistors are in ohms.
METAL: metal-film resistor
METAL OXIDE: Metal Oxide-film resistor
F: nonflammable
- SEMICONDUCTORS
In each case, u: μ , for example:
uA...: μ A..., uPA..., μ PA...,
uPB..., μ PB..., uPC..., μ PC...,
uPD..., μ PD...
- Abbreviation
AUS : Australian model
E2 : 120V AC Area in E model
CND : Canadian model
MX : Malaysia model
SP : Singapore model

When indicating parts by reference number, please include the board name.

The components identified by mark Δ or dotted line with mark Δ are critical for safety. Replace only with part number specified.Les composants identifiés par une marque Δ sont critiques pour la sécurité. Ne les remplacer que par une pièce portant le numéro spécifié.

Ref. No.	Part No.	Description	Remarks	Ref. No.	Part No.	Description	Remarks
		CONTROL BOARD *****		C208	1-131-696-11	FILM	0.22uF 5% 50V
		< CAPACITOR >		C209	1-128-813-11	CERAMIC	220PF 5% 50V
				C210	1-126-964-11	ELECT	10uF 20.00% 50V
				C211	1-128-813-11	CERAMIC	220PF 5% 50V
				C301	1-128-813-11	CERAMIC	220PF 5% 50V
C801	1-126-964-11	ELECT	10uF 20.00% 50V				
		< CONNECTOR >		C302	1-126-964-11	ELECT	10uF 20.00% 50V
				C303	1-104-665-11	ELECT	100uF 20.00% 10V
				C304	1-126-968-11	ELECT	100uF 20.00% 50V
CNP801	1-691-765-11	PLUG (MICRO CONNECTOR) 3P		C305	1-126-968-11	ELECT	100uF 20.00% 50V
		< VARIABLE RESISTOR >		C306	1-126-964-11	ELECT	10uF 20.00% 50V
				C307	1-126-967-11	ELECT	47uF 20.00% 50V
RV801	1-227-511-11	RES, VAR, CARBON 20K (LEVEL)		C308	1-126-964-11	ELECT	10uF 20.00% 50V
		*****		C309	1-136-165-00	FILM	0.1uF 5% 50V
		INPUT (CONTROL) BOARD *****		C310	1-136-165-00	FILM	0.1uF 5% 50V
		< CAPACITOR >		C311	1-162-199-31	CERAMIC	10PF 5% 50V
				C312	1-128-813-11	CERAMIC	220PF 5% 50V
				C313	1-128-813-11	CERAMIC	220PF 5% 50V
				C401	1-136-165-00	FILM	0.1uF 5% 50V
C101	1-128-813-11	CERAMIC	220PF 5% 50V	C402	1-136-165-00	FILM	0.1uF 5% 50V
C201	1-126-964-11	ELECT	10uF 20.00% 50V	C403	1-126-974-11	ELECT	3300uF 20.00% 50V (WMSP75)
		< CONNECTOR >					
* CN101	1-506-944-11	PIN, CONNECTOR 2P		C403	1-104-482-11	ELECT	4700uF 20.00% 63V (WMSP85)
		< JACK >		C404	1-126-974-11	ELECT	3300uF 20.00% 50V (WMSP75)
				C404	1-104-482-11	ELECT	4700uF 20.00% 63V (WMSP85)
J101	1-815-025-11	JACK, PIN 1P (INPUT)		C405	1-104-665-11	ELECT	100uF 20.00% 25V (WMSP75)
		< RESISTOR >		C405	1-126-968-11	ELECT	100uF 20.00% 50V (WMSP85)
R110	1-249-441-11	CARBON	100K 5% 1/4W				
R202	1-249-417-11	CARBON	1K 5% 1/4W F				
		*****		C406	1-104-665-11	ELECT	100uF 20.00% 25V (WMSP75)
	A-4731-189-A	MAIN BOARD, COMPLETE (WMSP75)		C406	1-126-968-11	ELECT	100uF 20.00% 50V (WMSP85)
		*****		C407	1-126-971-11	ELECT	470uF 20.00% 50V (WMSP85)
	A-4731-195-A	MAIN BOARD, COMPLETE (WMSP85)		C408	1-126-971-11	ELECT	470uF 20.00% 50V (WMSP85)
		*****		C409	1-136-165-00	FILM	0.1uF 5% 50V (WMSP85)
		< CAPACITOR >					
C203	1-136-165-00	FILM	0.1uF 5% 50V	C410	1-136-165-00	FILM	0.1uF 5% 50V (WMSP85)
C204	1-136-165-00	FILM	0.1uF 5% 50V				
C205	1-126-964-11	ELECT	10uF 20.00% 50V	C501	1-126-964-11	ELECT	10uF 20.00% 50V
C206	1-126-964-11	ELECT	10uF 20.00% 50V	C502	1-126-949-11	ELECT	220uF 20.00% 35V
C207	1-131-679-31	FILM	0.01uF 5% 50V				

SA-WMSP75/WMSP85

Ver 1.2 2003.06

MAIN	POWER TRANS
-------------	--------------------

Ref. No.	Part No.	Description	Remarks
C503	1-126-934-11	ELECT 220uF	20.00% 10V
C601	1-126-964-11	ELECT 10uF	20.00% 50V
< CONNECTOR >			
* CN202	1-506-944-11	PIN, CONNECTOR 2P	
CN204	1-564-505-11	PLUG, CONNECTOR 2P	
CN301	1-564-320-00	PIN, CONNECTOR (3.96mm PITCH) 2P	
CN402	1-785-101-11	PIN, CONNECTOR (3.96mm PITCH) 3P	
CN402	1-785-104-11	PIN, CONNECTOR (3.96mm PITCH) 6P (WMSP75) (WMSP85)	
< CONNECTOR >			
CNP111	1-691-765-11	PLUG (MICRO CONNECTOR) 3P	
< DIODE >			
D205	8-719-110-31	DIODE MTZJ-T-72-12B	
D206	8-719-110-31	DIODE MTZJ-T-72-12B	
D301	8-719-911-19	DIODE 1SS133T-72	
D302	8-719-911-19	DIODE 1SS133T-72	
D304	8-719-911-19	DIODE 1SS133T-72	
D401	8-719-500-56	DIODE D3SBA20 (WMSP75)	
D401	8-719-302-38	DIODE RBV-602-01 (WMSP85)	
D402	8-719-024-99	DIODE 11ES2-NTA2B (WMSP85)	
D403	8-719-024-99	DIODE 11ES2-NTA2B (WMSP85)	
D501	8-719-911-19	DIODE 1SS133T-72	
D502	8-719-911-19	DIODE 1SS133T-72	
D602	8-719-911-19	DIODE 1SS133T-72	
< EARTH TERMINAL >			
* G1	1-537-738-21	TERMINAL, EARTH	
* G2	1-537-738-21	TERMINAL, EARTH	
< IC >			
IC202	8-759-636-74	IC NJM4565DD	
IC203	8-759-636-74	IC NJM4565DD	
IC301	6-600-091-01	IC STK404-130S (WMSP85)	
IC301	6-600-181-01	IC STK-404-100S (WMSP75)	
< TRANSISTOR >			
Q501	8-729-119-78	TRANSISTOR 2SC2785TP-E	
Q502	8-729-178-42	TRANSISTOR 2SC2784-EFP-TP	
Q503	8-729-119-78	TRANSISTOR 2SC2785TP-E	
Q504	8-729-029-86	TRANSISTOR DTC124ESA-TP	
Q505	8-729-119-78	TRANSISTOR 2SC2785TP-E	
< RESISTOR >			
R205	1-249-441-11	CARBON 100K	5% 1/4W
R206	1-249-429-11	CARBON 10K	5% 1/4W
R207	1-249-429-11	CARBON 10K	5% 1/4W
R208	1-249-429-11	CARBON 10K	5% 1/4W
R209	1-249-441-11	CARBON 100K	5% 1/4W
R210	1-247-895-00	CARBON 470K	5% 1/4W
R211	1-247-887-00	CARBON 220K	5% 1/4W
R212	1-249-433-11	CARBON 22K	5% 1/4W
R213	1-249-433-11	CARBON 22K	5% 1/4W
R214	1-247-887-00	CARBON 220K	5% 1/4W

Ref. No.	Part No.	Description	Remarks
R216	1-249-429-11	CARBON 10K	5% 1/4W
R217	1-249-441-11	CARBON 100K	5% 1/4W
R301	1-249-425-11	CARBON 4.7K	5% 1/4W F
R302	1-249-437-11	CARBON 47K	5% 1/4W
R303	1-249-413-11	CARBON 470	5% 1/4W F
R304	1-215-886-11	METAL OXIDE 100	5% 2W
R305	1-249-437-11	CARBON 47K	5% 1/4W
R306	1-249-425-11	CARBON 4.7K	5% 1/4W F
R307	1-249-425-11	CARBON 4.7K	5% 1/4W F
△ R308	1-234-182-11	ENCAPSULATED COMPONENT	
R309	1-247-809-81	CARBON 120	5% 1/4W F (WMSP85)
R309	1-249-409-11	CARBON 220	5% 1/4W F (WMSP75)
R310	1-249-393-11	CARBON 10	5% 1/4W F
R311	1-215-868-00	METAL OXIDE 680	5% 1W
R312	1-249-433-11	CARBON 22K	5% 1/4W
R313	1-249-429-11	CARBON 10K	5% 1/4W (WMSP75)
R313	1-249-433-11	CARBON 22K	5% 1/4W (WMSP85)
△ R314	1-217-637-00	FUSIBLE 1	5% 1/4W
R315	1-249-437-11	CARBON 47K	5% 1/4W
R401	1-215-892-11	METAL OXIDE 1K	5% 2W
R402	1-215-892-11	METAL OXIDE 1K	5% 2W
△ R403	1-219-153-11	FUSIBLE 10	5% 1/4W (WMSP75)
△ R404	1-219-153-11	FUSIBLE 10	5% 1/4W (WMSP85)
R500	1-249-421-11	CARBON 2.2K	5% 1/4W F
R501	1-249-429-11	CARBON 10K	5% 1/4W
R502	1-249-437-11	CARBON 47K	5% 1/4W
R503	1-249-441-11	CARBON 100K	5% 1/4W
R504	1-249-441-11	CARBON 100K	5% 1/4W
R505	1-249-433-11	CARBON 22K	5% 1/4W
R506	1-249-433-11	CARBON 22K	5% 1/4W
R507	1-249-425-11	CARBON 4.7K	5% 1/4W F
R508	1-249-417-11	CARBON 1K	5% 1/4W F
R601	1-215-894-11	METAL OXIDE 2.2K	5% 2W (WMSP75)
R601	1-215-920-11	METAL OXIDE 3.3K	5% 3W (WMSP85)
< RELAY >			
RY301	1-515-920-11	RELAY	

POWER TRANS BOARD

< CAPACITOR >

| △ C2 | 1-113-924-11 | CERAMIC 0.0047uF | 20.00% 250V |

< CONNECTOR >

| CN1 | 1-564-321-00 | PIN, CONNECTOR (3.96mm PITCH) 2P | |
| * CN2 | 1-580-230-11 | PIN, CONNECTOR (PC BOARD) 2P | |

The components identified by mark △ or dotted line with mark △ are critical for safety. Replace only with part number specified.	Les composants identifiés par une marque △ sont critiques pour la sécurité. Ne les remplacer que par une pièce portant le numéro spécifié.
--	--

Ref. No.	Part No.	Description	Remarks
		< FUSE HOLDER >	
FH901	1-533-399-11	FUSE HOLDER	
FH902	1-533-399-11	FUSE HOLDER (E2)	
FH951	1-533-399-11	FUSE HOLDER	
FH952	1-533-399-11	FUSE HOLDER (E2)	
		< SWITCH >	
△ S2	1-572-675-11	SWITCH, POWER VOLTAGE CHANGE (VOLTAGE SELECTOR)(E2)	

		SWITCH BOARD *****	
		< CAPACITOR >	
△ C901	1-113-924-11	CERAMIC 0.0047uF 20.00% 250V	
		< CONNECTOR >	
CN3	1-564-321-00	PIN, CONNECTOR (3.96mm PITCH) 2P	
* CN901	1-564-517-11	PLUG, CONNECTOR 2P	
		< DIODE >	
D901	8-719-058-03	DIODE SEL5423E-TP15 (POWER)	
		< SWITCH >	
△ S901	1-554-920-11	SWITCH, PUSH (AC POWER)(1 KEY)(POWER)	

		MISCELLANEOUS *****	
△ 57	1-696-847-11	CORD, POWER (AUS)	
△ 57	1-769-744-11	CORD, POWER (AEP,UK,SP)	
△ 57	1-783-532-11	CORD, POWER (US,CND,MX)	
△ 57	1-792-823-12	CORD, POWER (TRACKING) (E2)	
△ F901	1-533-450-11	FUSE, GLASS TUBE 2.5A/125V (US,CND,MX)	
△ F901	1-532-463-51	FUSE T1AL / 250V (EXCEPT : US,CND,MX)	
△ F902	1-532-464-31	FUSE T2.5AL /250V (E2)	
SP1	1-529-995-12	SPEAKER (20cm)(WMSP75)	
SP1	1-825-004-13	SPEAKER (20cm)(WMSP85)	
△ T1	1-439-625-11	POWER TRANSFORMER (WMSP85 : US,CND,MX)	
△ T1	1-439-628-11	POWER TRANSFORMER (WMSP75 : US,CND)	
△ T1	1-439-623-11	POWER TRANSFORMER (E2)	
△ T1	1-439-624-11	POWER TRANSFORMER (AEP,UK,SP,AUS)	

The components identified by mark △ or dotted line with mark △ are critical for safety. Replace only with part number specified.	Les composants identifiés par une marque △ sont critiques pour la sécurité. Ne les remplacer que par une pièce portant le numéro spécifié.
--	--

