

TRACE ELLIOT

SERVICE MANUAL NO. SM00030

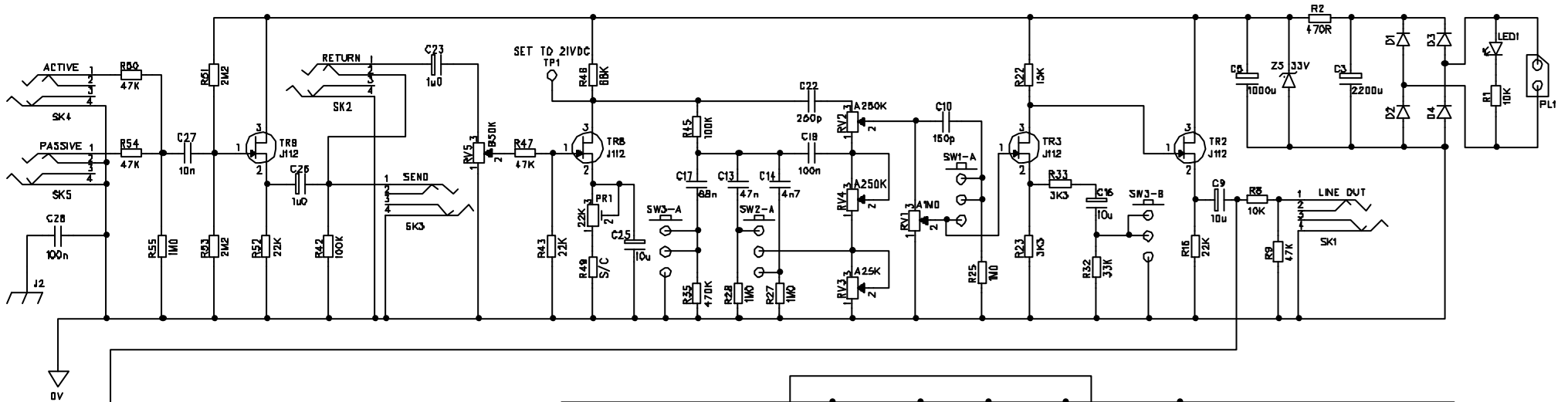
ISSUE 1

Date: February 14, 1997
Product Code : T0125/0150/0155
Model No : Commando Head/Combo
Technical File No : TE00030

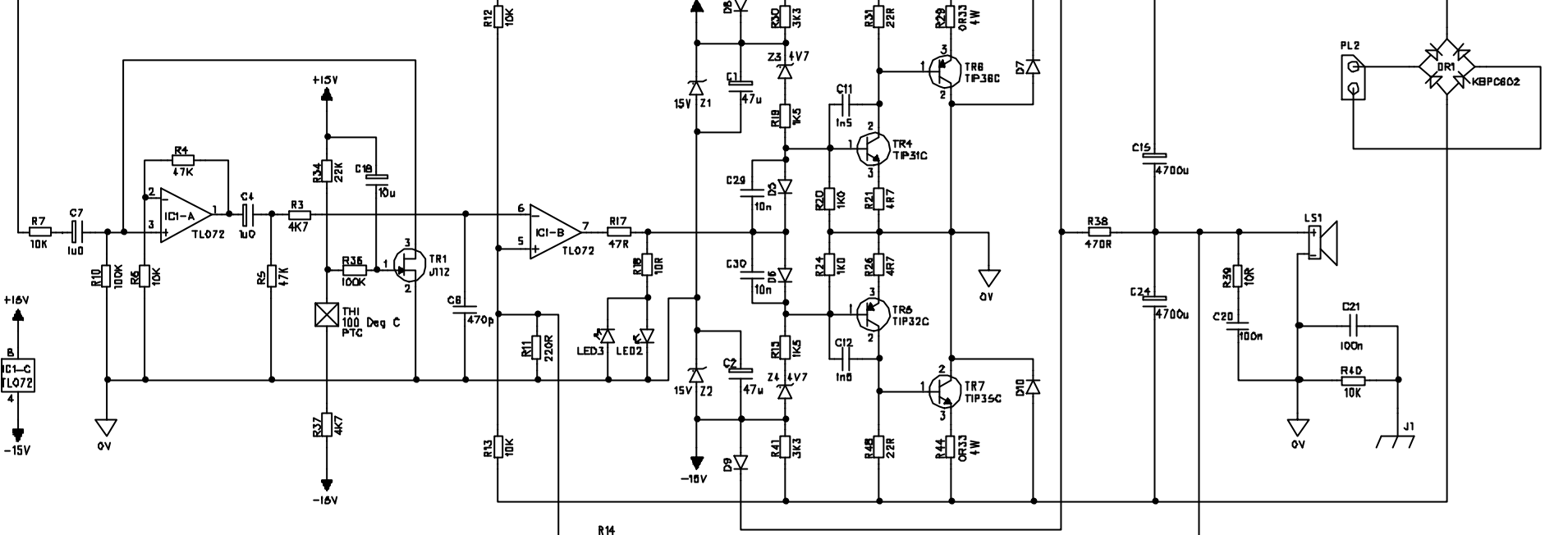
Issued by:

**Trace Elliot Limited.
Blackwater Trading Estate
The Causeway, Maldon
Essex CM9 4GG.**

ISSUE CHANGE NOTE DATE	2 8/9/1995	ISSUE CHANGE NOTE DATE	ISSUE CHANGE NOTE DATE
ISSUE CHANGE NOTE DATE		ISSUE CHANGE NOTE DATE	ISSUE CHANGE NOTE DATE



COMMANDO BASS



TITLE PROJECT DRAWING No ISSUE DATE DRAWN BY

CIRCUIT DIAGRAM COMMANDO BASS COMBO C000018 3 20/9/1996 CLIVE BUTCH

TRACE ELLIOT LTD
 BLACKWATER TRADING ESTATE
 WALTON ESSEX CB9 4DD
 GREAT BRITAIN
 TEL (01621) 851851
 FAX (01621) 881932

C12-PCB-PC00023x5.

COMMANDO BASS AMP

USING ISSUE 5 PCB

Description of part	Part Code	Qty	Where Used
Zero ohm link	72-RCZERO	20	As marked
Res 1/4w 10K	72-RM10K	8	R1 R6 R8 R12 R13 R14 R40 R7
Res 1/4w 100K	72-RM100K	4	R10 R36 R42 R45
Res 1w 470R metal film	72-RM470R-1WATT	2	R2 R38
Res 1/4w 22K	72-RM22K	3	R16 R34 R52
Res 1/4w 1K5	72-RM1K5	2	R15 R19
Res 1/4w 4R7	72-RM4R7	2	R21 R26
Res 1/4w 3K3	72-RM3K3	4	R23 R30 R33 R41
Res 1/4w 1M0	72-RM1M	5	R25 R27 R28 R55 R57
Res 1/4w 33K	72-RM33K	1	R32
Res 1/4w 470K	72-RM470K	2	R35 R56
Res 1/4w 47R	72-RM47R	1	R17
Res 1/4w 470R	72-RM470R	2	R20 R24
Res 1/4w 220R	72-RM220R	1	R11
Res 1/4w 4K7	72-RM4K7	3	R3 R37 R49
Res 1/4w 47K	72-RM47K	7	R4 R5 R9 R43 R47 R50 R54
Res 1/4w 15K	72-RM15K	2	R22 R46
Res 1/4w 2M2	72-RM2M2	2	R51 R53
Res 1/4w 10R	72-RM10R	1	R18
Res 1w 22R metal film	72-RM22R-1WATT	2	R31 R48
Zener diode 15V	72-D-BZX85C15	2	Z1 Z2
Zener diode 4V7	72-D-BZX85C4V7	2	Z3 Z4
Zener diode 33V	72-D-BZX85C33	1	Z5
Transistor TIP31C	72-TIP31C	1	TR4 on 'L' heatsink MD00031
Transistor TIP32C	72-TIP32C	1	TR5 on 'L' heatsink MD00031
Diode 1N4004	72-D-1N4004	10	D1 --- D10
Cap cer 0.2" 330p	72-C330P-100VCD	1	C8
Cap cer 0.2" 150p	72-C150P-100VCD	1	C10
Cap cer 0.2" 220p	72-220P-100VCD	1	C22
Cap box poly 100v 2n2	72-C2N2-100VP	1	C6
Cap box poly 100V 1n5	72-C1N5-100VP	2	C11 C12
Cap box poly 100V 4n7	72-C4N7-100VP	1	C14
Cap box poly 100V 47n	72-C47N-100VP	1	C13

Cap box poly 100V 68n	72-C68N-100VP	1	C17
Cap box poly 100V 100n	72-C100N-100VP	2	C19 C31
Cap box poly 100V 10n	72-C10N-100VP	1	C27
Cap box poly 250V 100n	72-C100N-250VP	3	C20 C21 C28
Cap elec 47u 16V	72-C47-16VER	2	C1 C2
Cap elec 1u0 63V	72-C1-63VER	4	C4 C7 C23 C26
Cap elec 10u 16V	72-C10-16VER	3	C16 C25 C18
Cap elec 10u 35v	72-C10-35VER	1	C9
Cap elec 1000u 35V	72-C1000-35VER	1	C5
Cap elec 2200u 35V	72-C2200-35V-R	1	C3
Cap elec 4700u 63V	72-CAP-470063V	2	C15 C24
JFET J112	72-FET-J-112	5	TR1 TR2 TR3 TR8 TR9
IC TL072	72-IL-TL072	1	IC1
PCB FUSE T1A	72-FUS-1A-PCB	1	F2
PCB FUSE CLIP	72-FUS-HLD-PCB-4	1	F1
20MM FUSE T2A	72-FUS-2AT-20M	1	F1
Jack socket mono gold	73-SKT-JCKBNBG	2	SK2 SK5
Jack socket mono silver	73-SKT-JCKBNBS	3	SK1 SK3 SK4
Res 4w 0R33	72-RWW0R33-4W	2	R29 R44
Res 4w 1R	72-RWW1R-4W	1	R39
Switch FO2UEE	72-SW-F2UEE	3	SW1 SW2 SW3
LED 5mm RED	72-LED-RED	3	LED1 LED2 LED3
Header 2 way 0.1"	72-HEAD-2W	1	PL1
Header 2 way 0.2"	72-HEAD-2W-2	2	PL2 LS1
Pot 16mm A1M0	73-POT-A1M	1	RV1
Pot 16mm A250K	73-POT-A250K	2	RV2 RV4
Pot 16mm A25K	73-POT-A25K	1	RV3
Pot 16mm B50K	73-POT-50KB	1	RV5
Bridge rectifier KBPC602 (mounted on heatsink)	73-BRIDGE-2	1	DR1 fixed using M3
Transistor 2SC4468 (mounted on heatsink)	72-2SC4468	1	TR7
Transistor 2SA1695 (mounted on heatsink)	72-T2SA1695	1	TR6
Thermistor 100 deg PTC (mounted on heatsink)	72-THERMISTOR-3	1	TH1 fix using M3
Heatsink commando	MD00030	1	fix onto pcb