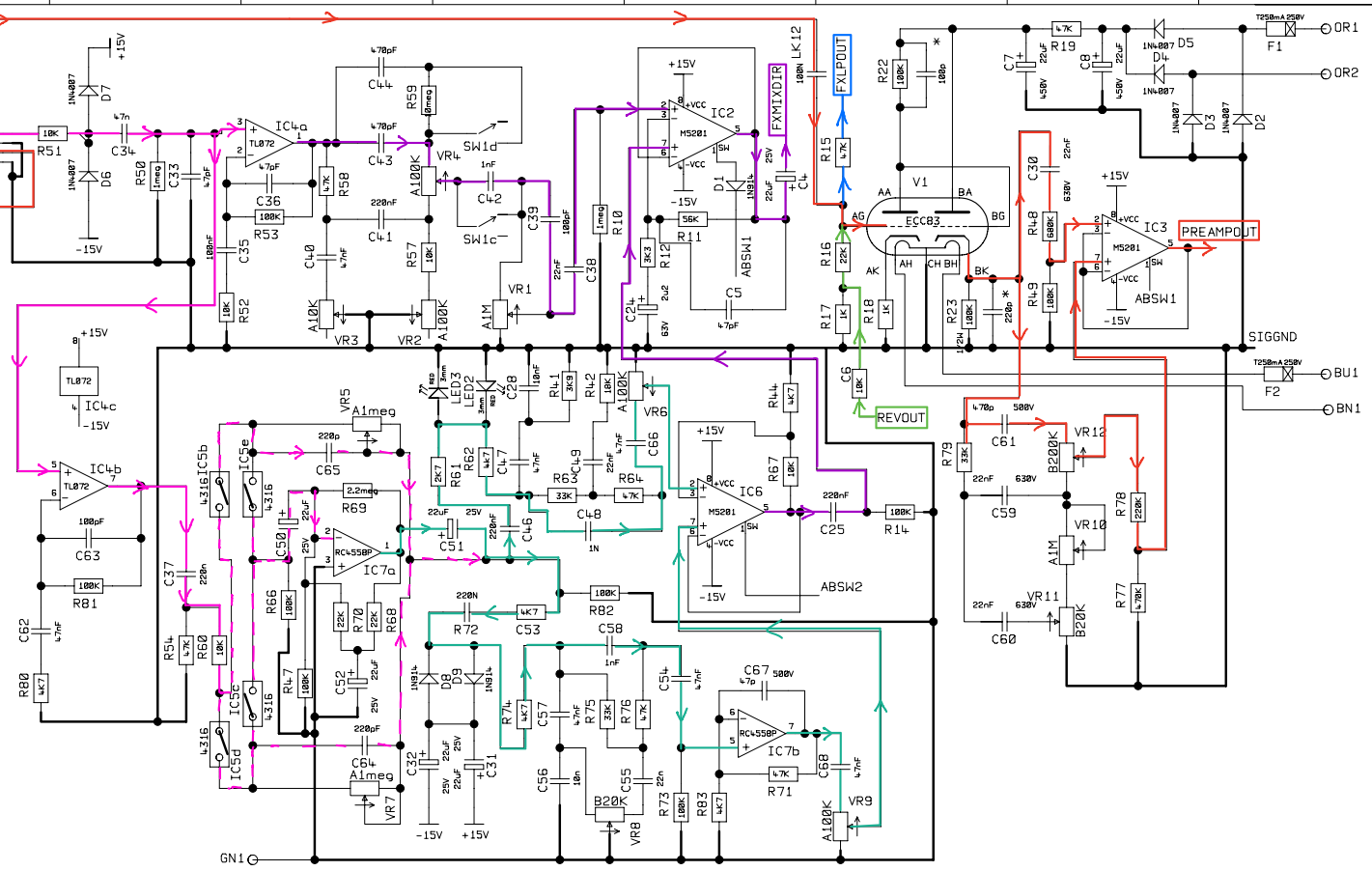



DWG. No. V100-60-02

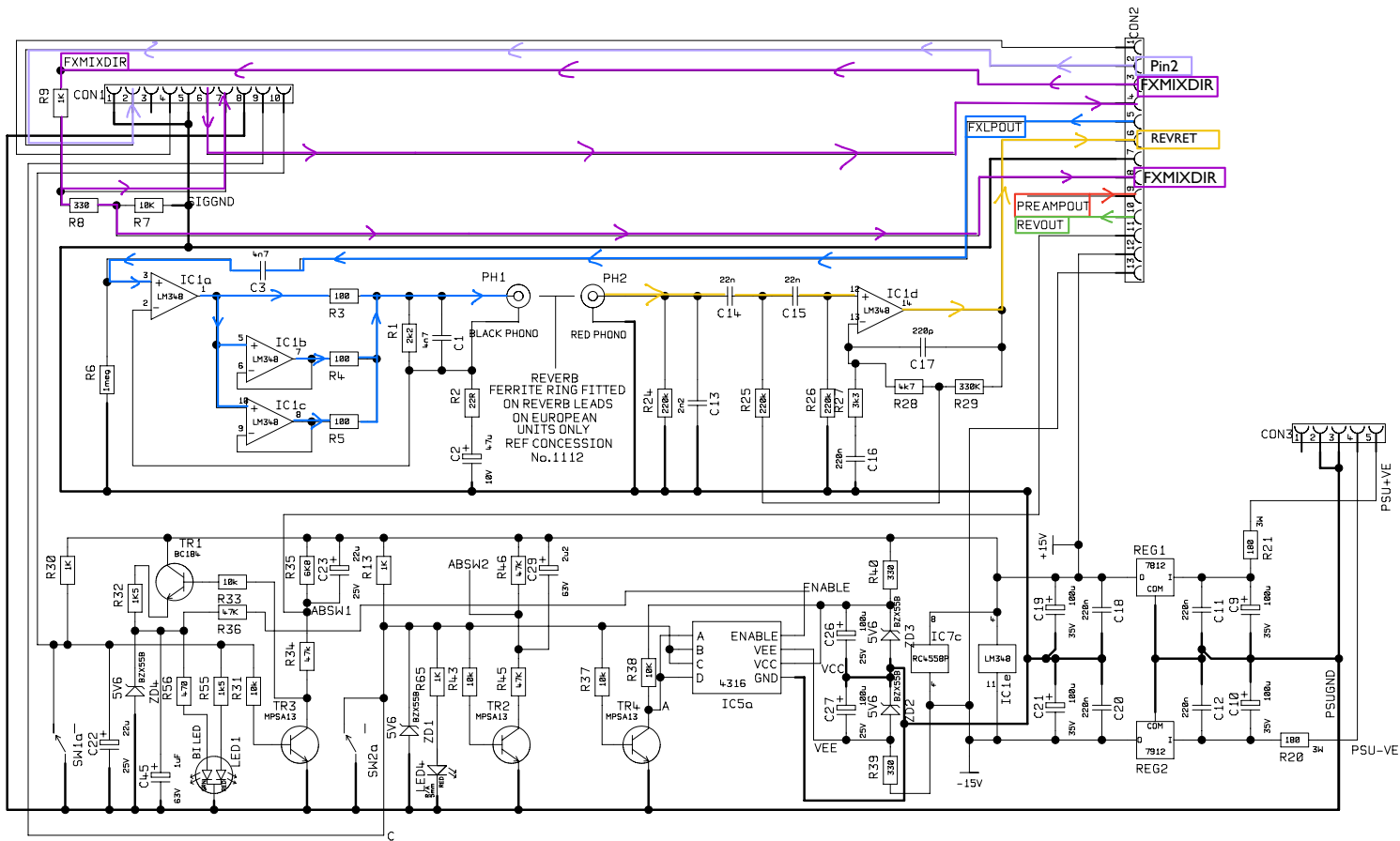


\* CAPACITORS FITTED ON EUROPEAN UNITS ONLY. REF CONCEPTION 1112

COMPONENTS C67 AND R41 NOT FITTED.

		ALL OTHER HOLES =				X = (THROUGH PLATED)				MATERIAL		DIMENSIONS IN			TITLE	
		A	B	E				N	MATERIAL THICKNESS	TOLERANCE (UNLESS OTHERWISE STATED)					PRE AMP PCB	SHT 1 OF 2
3	1164	26-04-96	A	F				P	5G	DATE	17_11_95					
2	1110	13-2-96	C	H				Q		CHECKED						
ISS	ECC NUMBER	DATE	D	G				R		APPROVED				VS100		DWG. No. V100-60-02

© MARSHALL AMPLIFICATION PLC  
 DENHAM ROAD, BLETCHLEY, MILTON KENT MK1 1JL  
 TEL: 01290 275411 FAX: 01290 276110



		ALL OTHER HOLES =							
3	116L	26-04-96	A	B	E	F	J	N	
2	1110	13-2-96	C	D	G	H	L	P	
ISS	ECO NUMBER	DATE	F				M	Q	

				X = (THROUGH PLATED)					
								R	

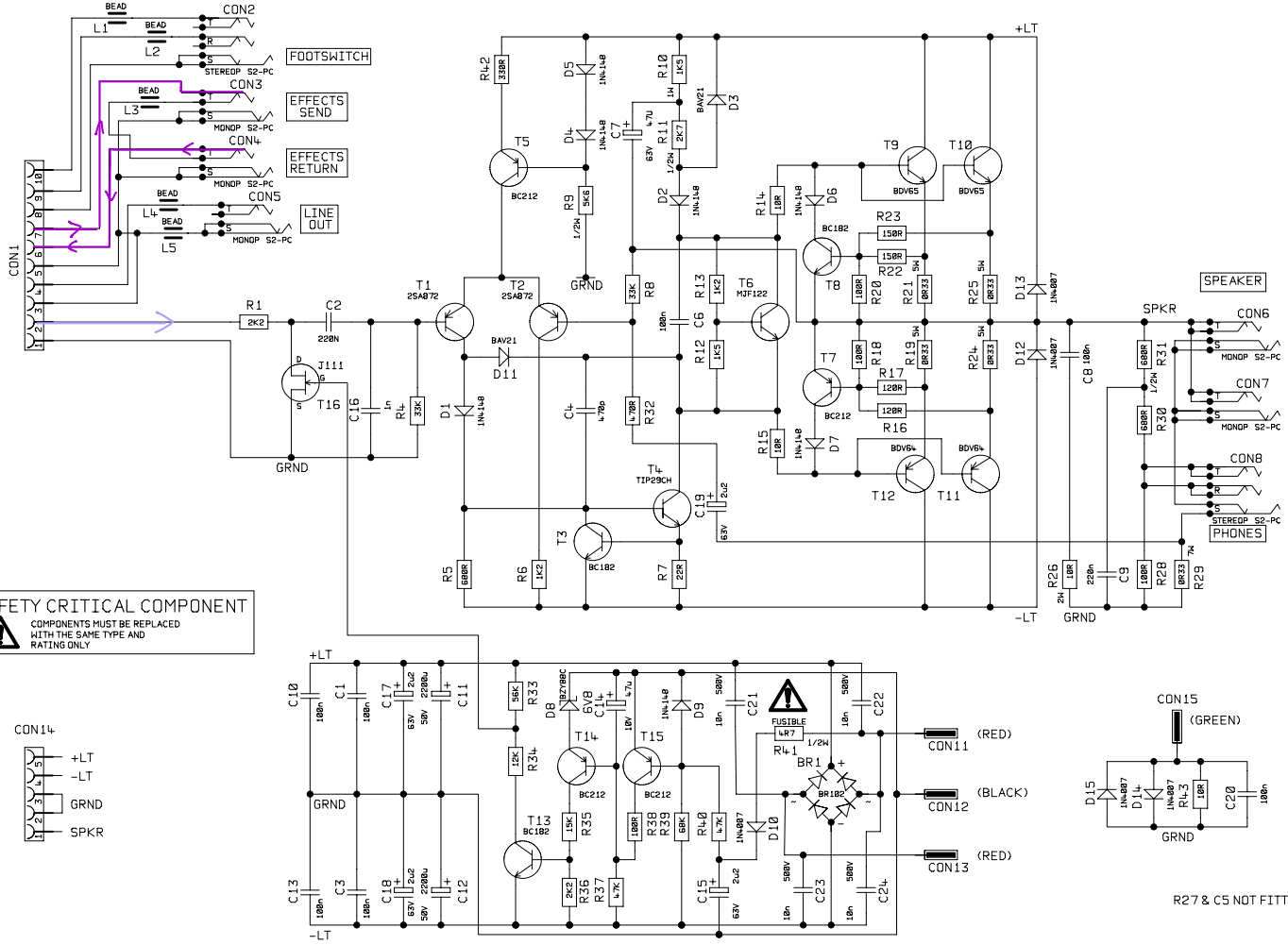
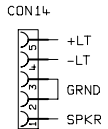
MATERIAL		DIMENSIONS IN	
MATERIAL THICKNESS		TOLERANCE (UNLESS OTHERWISE STATED)	
GRAIN SG	DATE 17 11 95		
CHECKED	DATE	MODEL	VS100
APPROVED			



TITLE	PRE AMP PCB SHT 2 OF 2
DIAG.No	V100-60-02
ISS	3

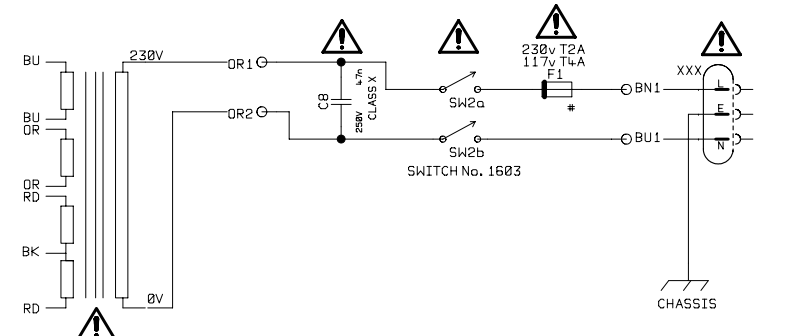
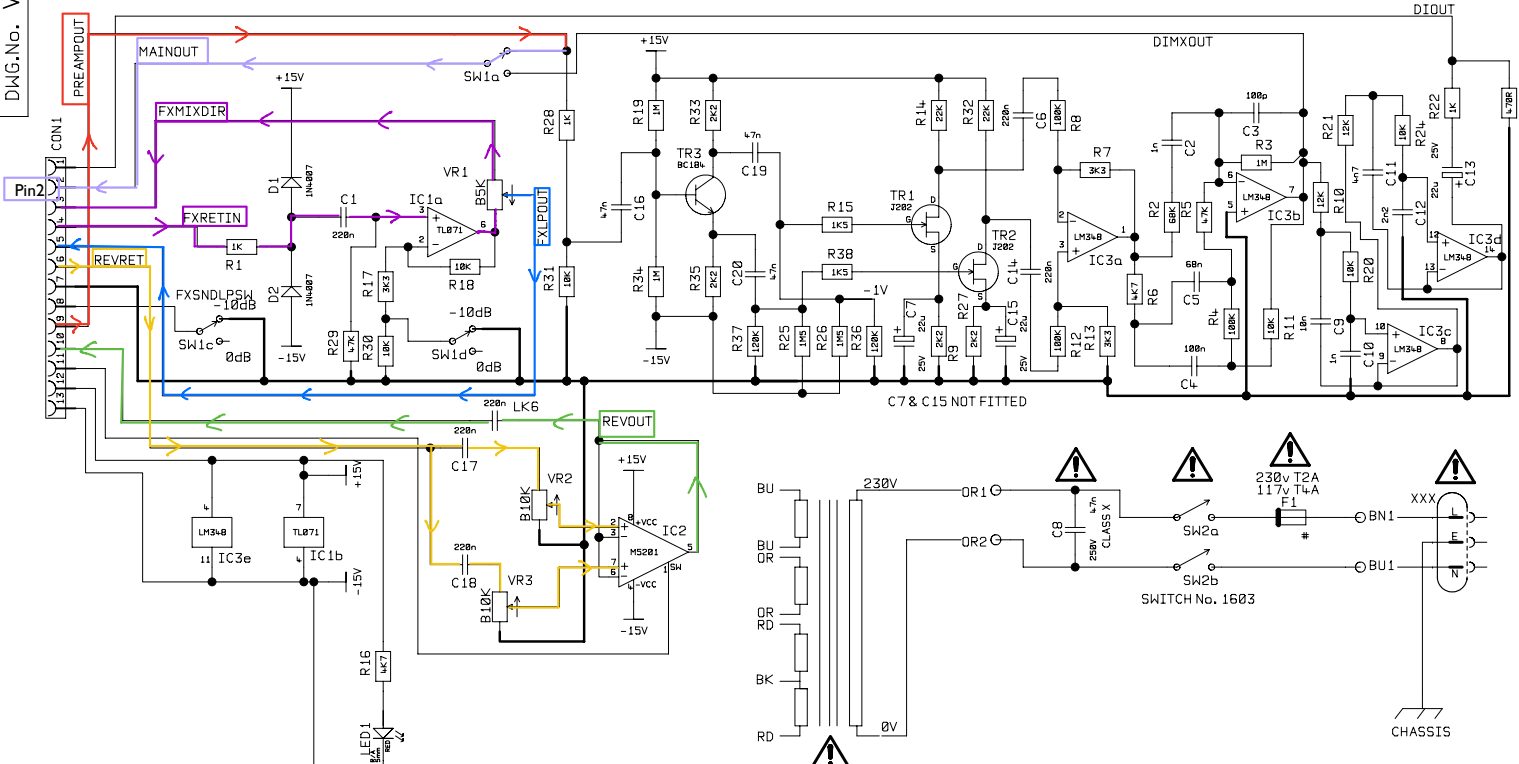
V100-62-02.DGM

**SAFETY CRITICAL COMPONENT**  
 COMPONENTS MUST BE REPLACED  
 WITH THE SAME TYPE AND  
 RATING ONLY



R27 & C5 NOT FITTED

ALL OTHER HOLES =		X = (THROUGH PLATED)		MATERIAL		DIMENSIONS IN				TITLE	
A	B	F	T	J	N	R	TOLERANCE (UNLESS OTHERWISE STATED)			VS100	
2	1686/7	15/10/99			P			DATE		Dwg.No	
ISS	ECO NUMBER	DATE	C	D	Q	R		DATE		V100-62-02.DGM	
								MODEL		ISS	
				APPROVED DATE 08.09.95				© 2001 MARSHALL PRODUCTS LTD. 69 NEW ROAD, BLETCHLEY, TEL: 01295 231100, FAX: 01295 231118			



4	1164	26-04-96	ALL OTHER HOLES =			X = (THROUGH PLATED)		
3	FUSE RATINGS REVERSED	14-2-96	A	E	J	N		
2	1110	13-2-96	B	F	K	P		
ISS	ECO NUMBER	DATE	C	G	L	Q		

MATERIAL	DIMENSIONS IN	
MATERIAL THICKNESS	TOLERANCE (UNLESS OTHERWISE STATED)	
DRN GR SG	DATE	14.9.95
CHECKED	DATE	
APPROVED	DATE	
MODEL VS100		



TITLE	VS100 DAUGHTER PCB
DWG.No.	V100-61-02
ISS	4