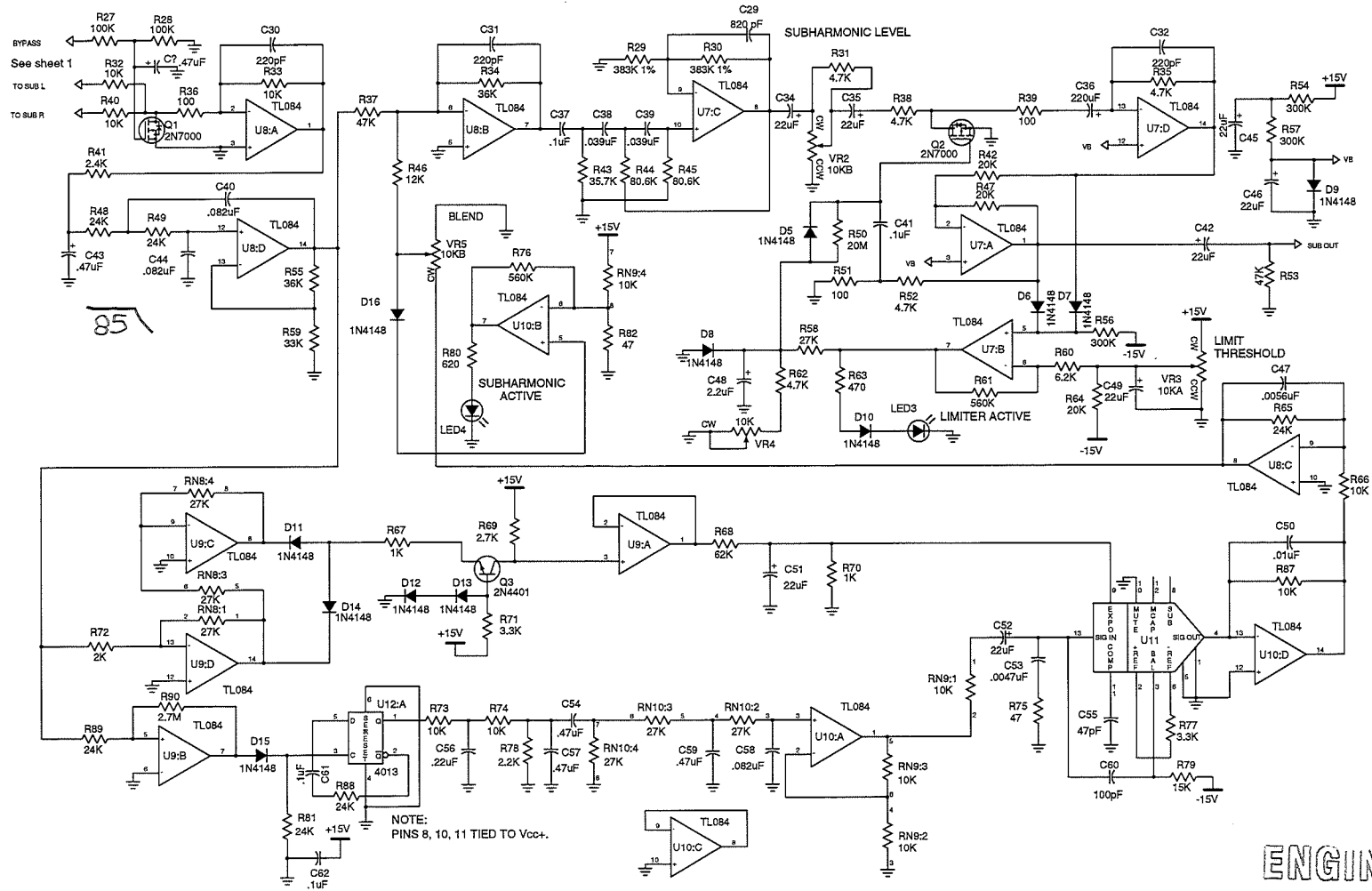


ENGINEERING
MASTER
11-14-96 EL

NOTES: UNLESS OTHERWISE SPECIFIED
ALL FET'S 2N7000
ALL DIODES 1N4148
PIN 4 OF TL084 - Vcc+
PIN 11 OF TL084 - Vcc-
PIN 8 OF TL072 - Vcc+
PIN 4 OF TL072 - Vcc-

Rev. B (7-9-93)
Added Sub-master level control



ENGINEERING
 MASTER
 11-14-96 EL

Rev. B (7-9-93)
 Added Sub-master level control