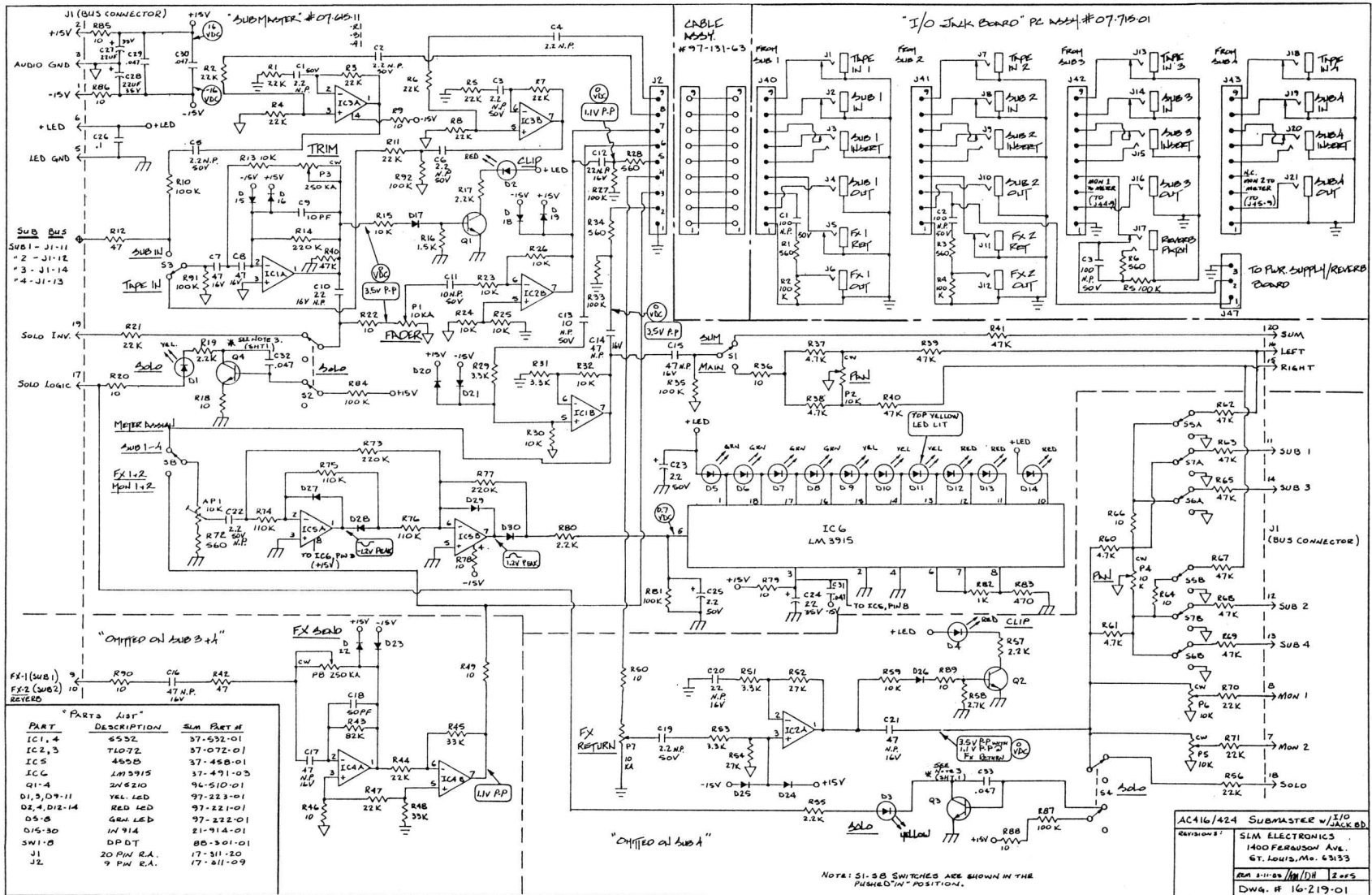


AC416/424 LEFT & RIGHT MAIN BDS.  
 REVISIONS: SLAM ELECTRONICS  
 1400 FERGUSON AVE.  
 ST. LOUIS, MO. 63133  
 REM 3:16:05 / PM/DR 5075  
 DWG. #F 16-219-01



**"PARTS LIST"**

PART	DESCRIPTION	SLM PART #
IC1, 4	6532	37-532-01
IC2, 3	74072	37-072-01
IC5	4800	37-480-01
IC6	LM3915	37-491-03
Q1-A	2N5210	96-510-01
D1, 3, D7-11	YEL LED	97-221-01
D2, 4, D12-14	RED LED	97-221-01
D5-B	GRN LED	97-222-01
D15-30	1N914	21-914-01
SW1-B	DPDT	80-301-01
J1	20 PIN R.A.	17-311-20
J2	9 PIN R.A.	17-311-09

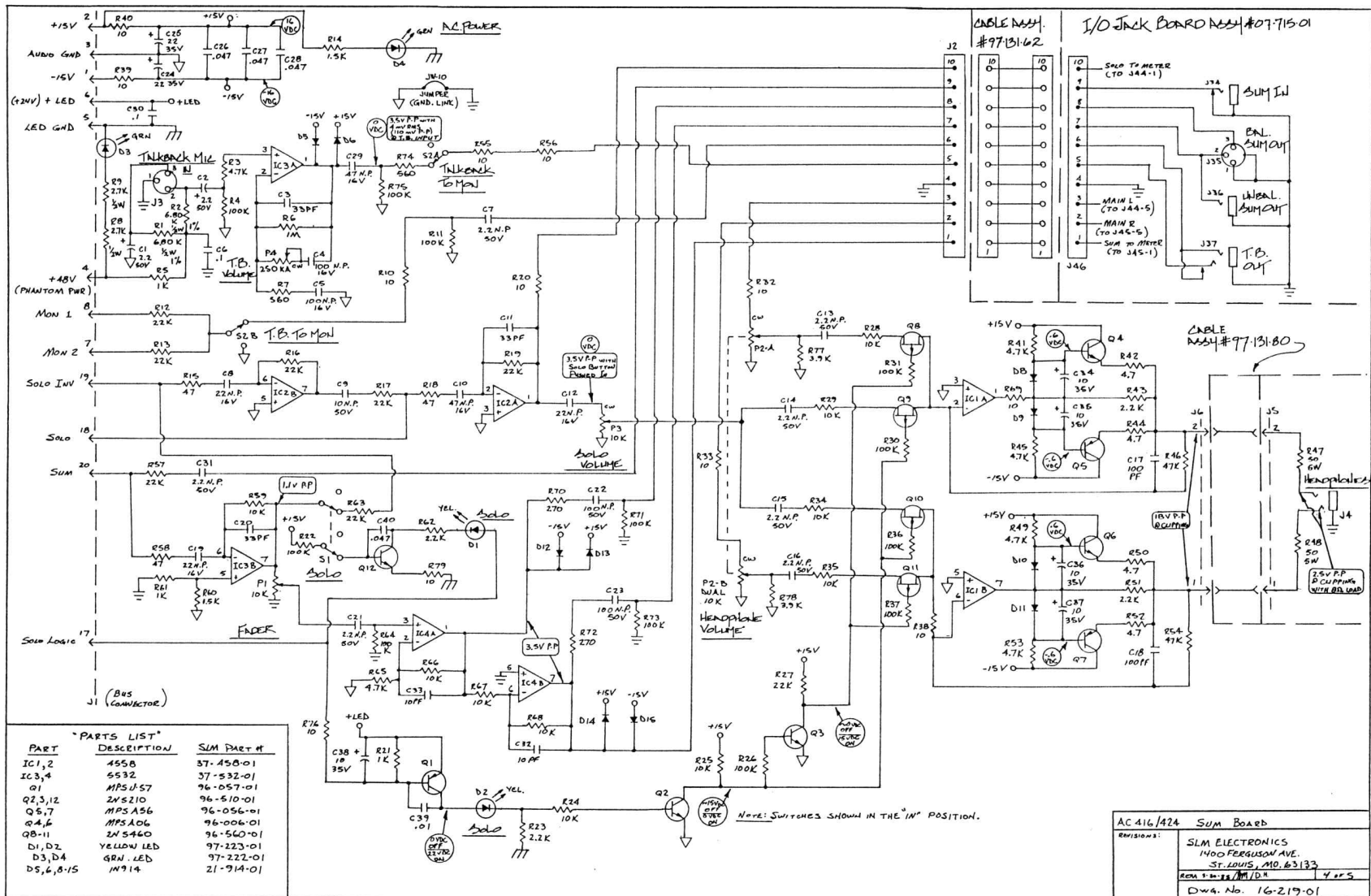
AC416/424 SUBMASTER w/I/O JACK BOARD

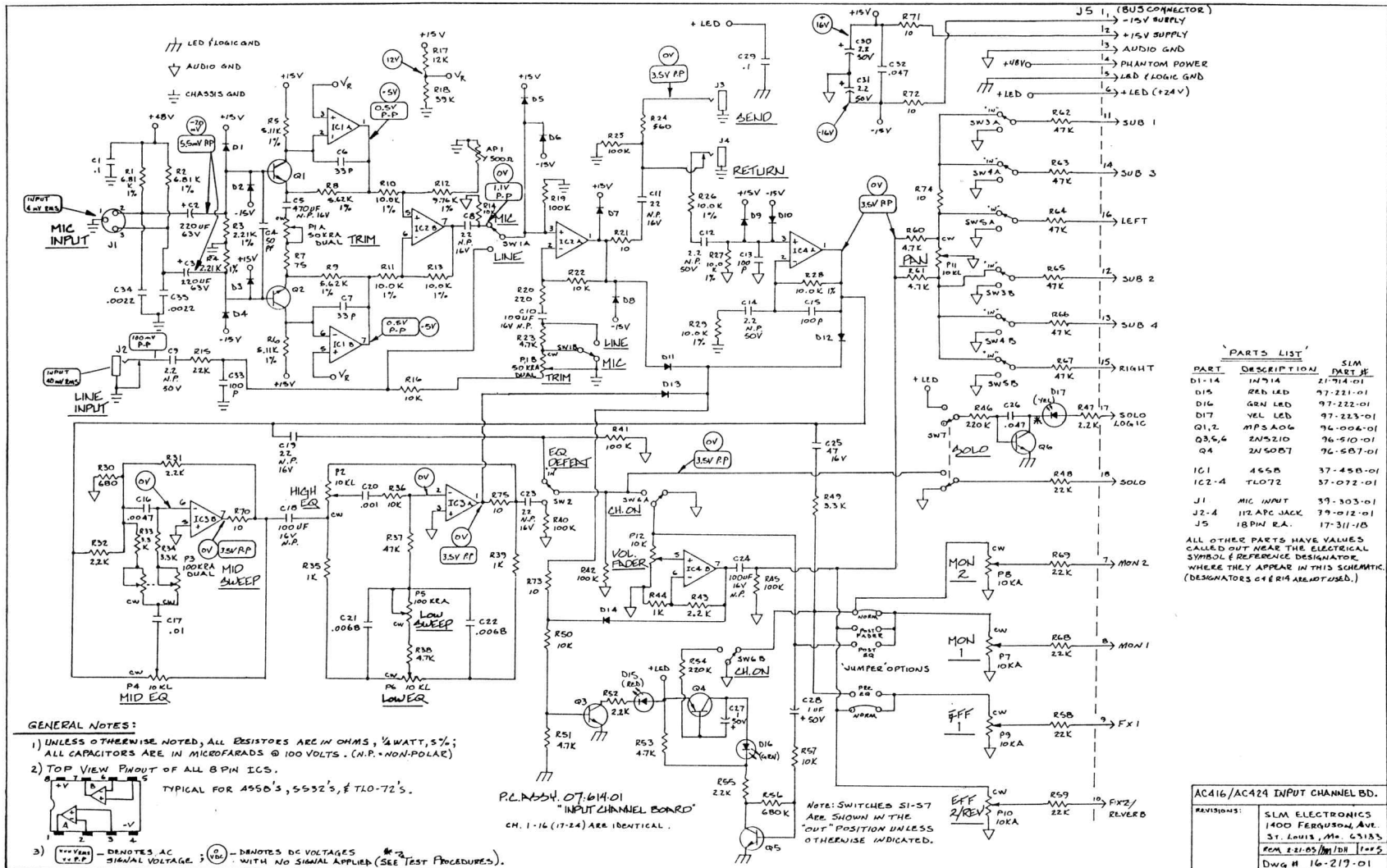
Revisions:

SLM ELECTRONICS  
1400 FERROUS AVENUE  
ST. LOUIS, MO. 63153

Rev 1: 05/88/WH/DH/2005  
DWG. # 16-219-01

NOTE: S1-S3 SWITCHES ARE SHOWN IN THE PUSHED-IN POSITION.





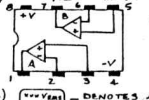
**PARTS LIST**

PART	DESCRIPTION	SIM
D1-14	1N914	21-714-01
D15	RED LED	97-221-01
D16	GRN LED	97-221-01
D17	YEL LED	97-223-01
Q1,2	MPS A06	76-006-01
Q3,4	2N5210	76-510-01
Q4	2N5087	76-507-01
IC1	4558	37-458-01
IC2-4	TLO72	37-072-01
J1	MIC INPUT	39-303-01
J2-4	16 APC JACK	39-012-01
J5	18 PIN RA	17-311-05

ALL OTHER PARTS HAVE VALUES CALLED OUT NEAR THE ELECTRICAL SYMBOL & REFERENCE DESIGNATOR WHERE THEY APPEAR IN THIS SCHEMATIC. (DESIGNATORS C1 & R14 ARE NOT USED.)

**GENERAL NOTES:**

- UNLESS OTHERWISE NOTED, ALL RESISTORS ARE IN OHMS, 1/4 WATT, 5%; ALL CAPACITORS ARE IN MICROFARADS @ 100 VOLTS. (N.P. = NON-POLAR)
- TOP VIEW PINOUT OF ALL 8 PIN IC'S.  
TYPICAL FOR A950'S, 5532'S, & TLO-72'S.
- ⊖ (V) - DENOTES AC SIGNAL VOLTAGE; ⊕ (V) - DENOTES DC VOLTAGES WITH NO SIGNAL APPLIED (SEE TEST PROCEDURES).



P.C. BOARD 07-614-01  
"INPUT CHANNEL BOARD"  
CH. 1-16 (17-24) ARE IDENTICAL.

NOTE: SWITCHES S1-S7 ARE SHOWN IN THE "OUT" POSITION UNLESS OTHERWISE INDICATED.

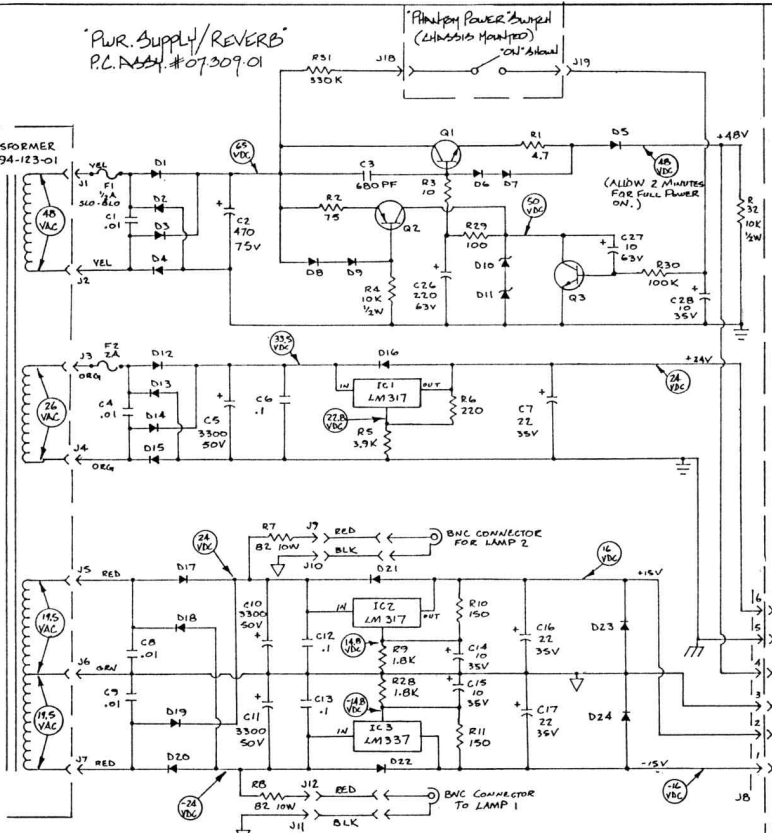
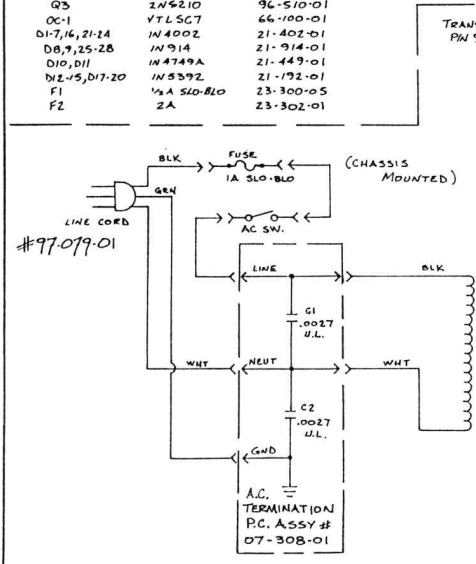
AC416/AC424 INPUT CHANNEL BD.	
REVISIONS:	SIM ELECTRONICS 1400 FERROUS AVE. ST. LOUIS, MO. 63185 FORM 22-05/11/78 12x5 DWG H 16-217-01

"PARTS LIST"

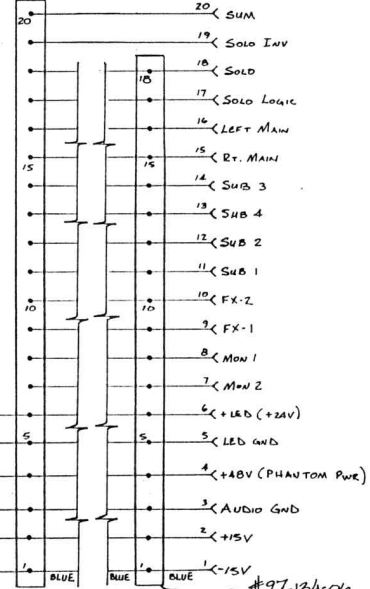
PART	DESCRIPTION	SUM PART #
IC1,2	LM317	37-317-01
IC3	LM337	37-337-01
IC4-6	4558	37-458-01
Q1	TIP31C	96-031-03
Q2	TIP32C	96-032-03
Q3	2N5210	96-510-01
OC-1	VTLSCT	66-100-01
D1-7,16,21-24	1N4002	21-402-01
D8,9,25-28	1N914	21-914-01
D10,D11	1N4749A	21-449-01
D12-15,D17-20	1N5392	21-192-01
F1	1/2A SLO-BLO	23-300-05
F2	2A	23-302-01

"PWR. SUPPLY/REVERB"  
P.C. ASSY. # 07309-01

"PHANTOM POWER SUPPLY"  
(CHASSIS MOUNTED)  
"ON" Switch

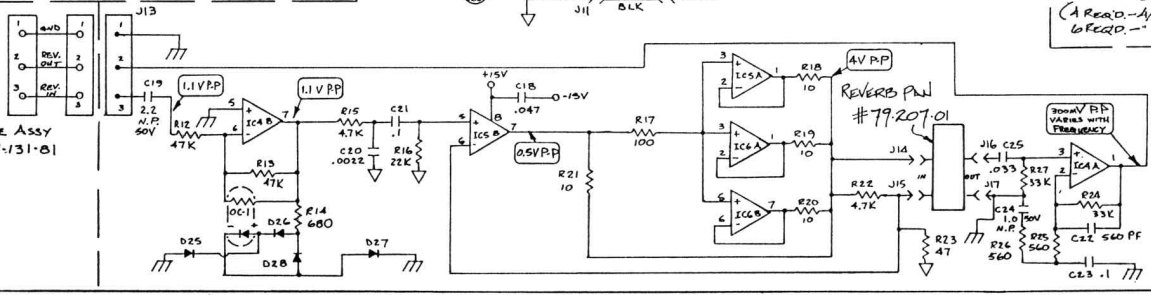


"MASTER BUS" - TO SUM, RIGHT + LEFT MAIN, + HARNESS" SUBA THRU 1  
(1 REAR - 7/20 PIN CONNECTORS)  
#97-134-09



To J47 ON THE I/O JACK BD. (SEE SHEET 2)

CABLE ASSY #97-131-01



"CHANNEL BUS HARNESS" - TO CHANNEL EXPANSION  
(A REAR - 4/18 PIN CONNECTORS FOR AC-116)  
(6 REAR - "AC-124")

AC 416/424 Power Supply / Reverb Bd.

REVISIONS:

SUM ELECTRONICS
1400 FERROUSON AVE.
ST. LOUIS, MO., 63133
REV 3-14-85/11
SOFS

DRAWING No. 16-219-01