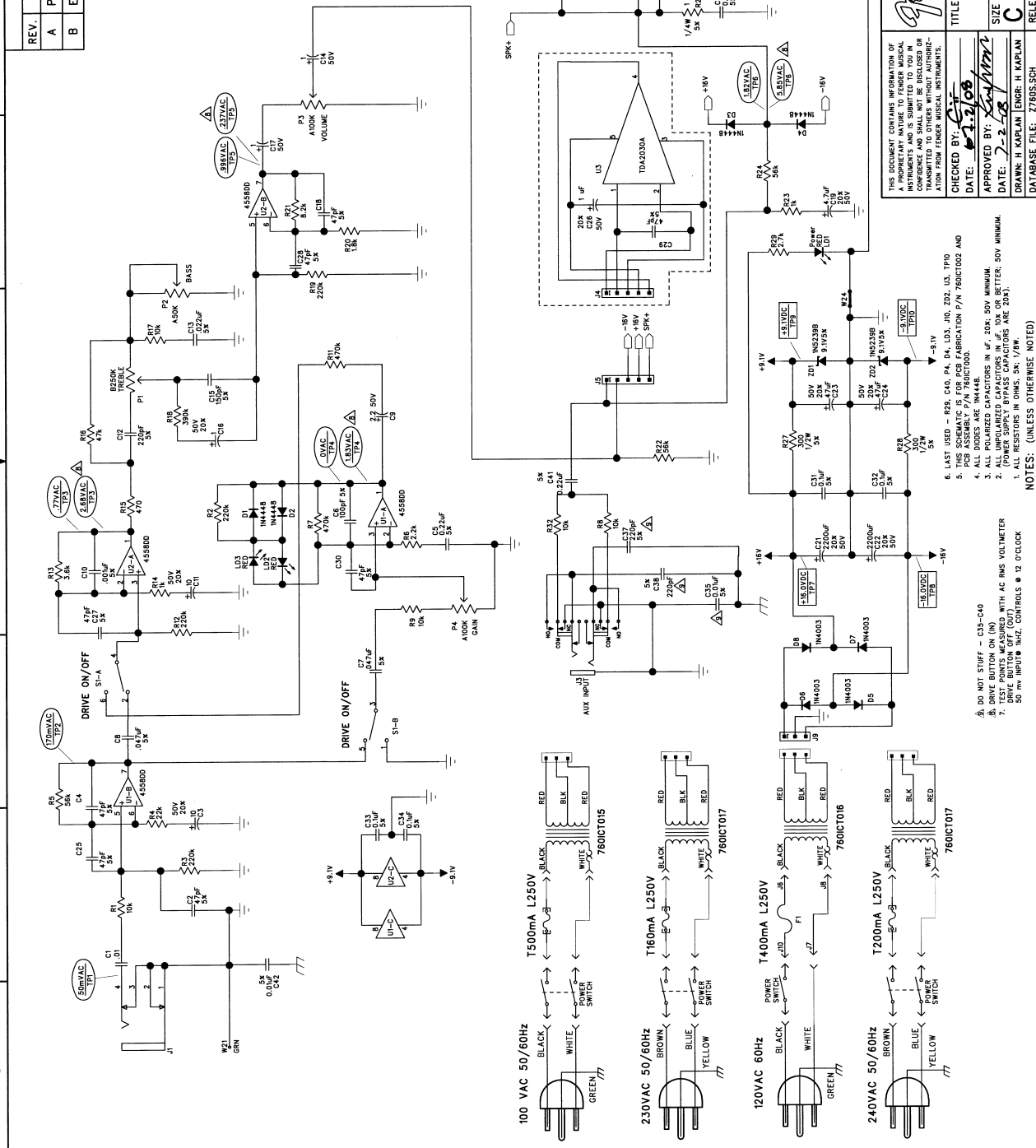


REVISIONS			
REV.	DESCRIPTION	DATE	APPROVED
A	PR760	29-MAY-07	H B K
B	EC4033	25-JUNE-08	K K



MUSICAL INSTRUMENTS  
Corona, CA U.S.A.

CHECKED BY: [Signature]  
DATE: 2-2-08

APPROVED BY: [Signature]  
DATE: 2-2-08

DRAWN: H. KARLAN  
ENGR: H. KARLAN  
DATABASE FILE: Z7805.SCH

TITLE: SERVICE DIAGRAM, COMBINED (schematic)  
Frontman 100  
PCB ASSY

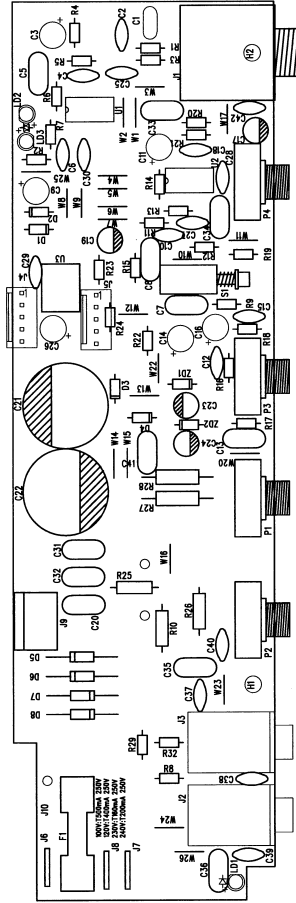
SIZE: DRAWING NUMBER  
C 760ICT1001

RELEASE DATE: 30-MAY-07 SHEET: 1 OF 2

- LAST USED - R32, C46, P4, H4, LD3, J10, D22, U3, TP10
  - THIS SCHEMATIC IS FOR PCB FABRICATION P/N 760ICT002 AND IS NOT TO BE USED FOR OTHER INSTRUMENTS.
  - ALL POLARIZED CAPACITORS IN U<sub>1</sub>, Z0<sub>1</sub>, Z0<sub>2</sub> MUST BE MINIMUM 50V. UNPOLARIZED CAPACITORS IN U<sub>1</sub>, U<sub>2</sub>, U<sub>3</sub> OR BETTER, 50V MINIMUM.
  - ALL RESISTORS IN OHMS, 5K, 1/2W.
- NOTES: (UNLESS OTHERWISE NOTED)
- DO NOT STUFF - C35-C40
  - DRIVE BUTTON ON D4
  - TEST POINTS MEASURED WITH AC RMS VOLTMETER
  - DRIVE BUTTON OFF (OUT)
  - 30 mm IMPEDANCE CONTROLS @ 13 O'CLOCK

REVISIONS

REV.	DESCRIPTION	DATE	APPROVED
A	PR760	29-MAY-07	H B K



FILM/DWG: PCB ASSEMBLY DRAWING  
 DATABASE: Z760P.PCB DATE: 29-MAY-07

THIS DOCUMENT CONTAINS INFORMATION OF A PROPRIETARY NATURE TO FENDER MUSICAL INSTRUMENTS AND IS SUBMITTED TO YOU IN CONFIDENCE AND SHALL NOT BE DISCLOSED OR TRANSMITTED TO OTHERS WITHOUT AUTHORIZATION FROM FENDER MUSICAL INSTRUMENTS.

*Fender*  
 MUSICAL INSTRUMENTS  
 Corona, CA U.S.A.

CHECKED BY: <i>H.K.</i>	TITLE: PCB ASSEMBLY, Frontman 10G PCB Assembly
DATE: 5/2/07	SIZE: B
APPROVED BY: <i>H.K.</i>	DRAWING NUMBER: 760ICT000
DATE: 5-2-07	RELEASE DATE: 30-MAY-07
DRAWN: H Kaplan	ENG: H Kaplan
DATABASE FILE: Z760P.PCB	SHEET 1 OF 1
	REV. A

NOTES: (UNLESS OTHERWISE NOTED)