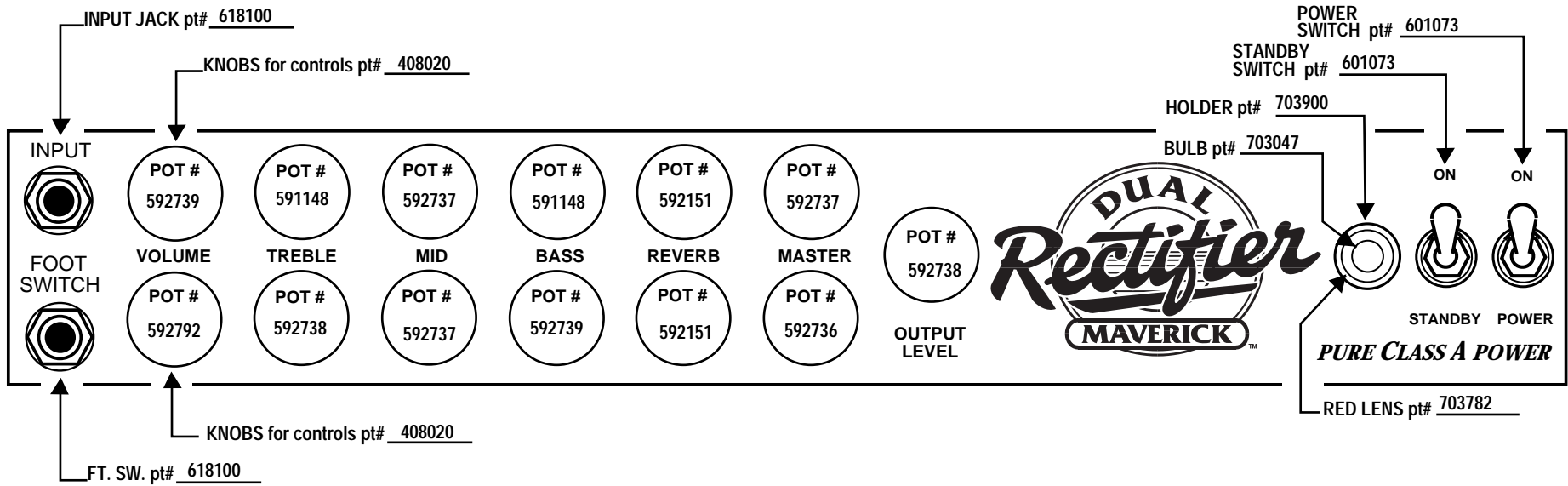
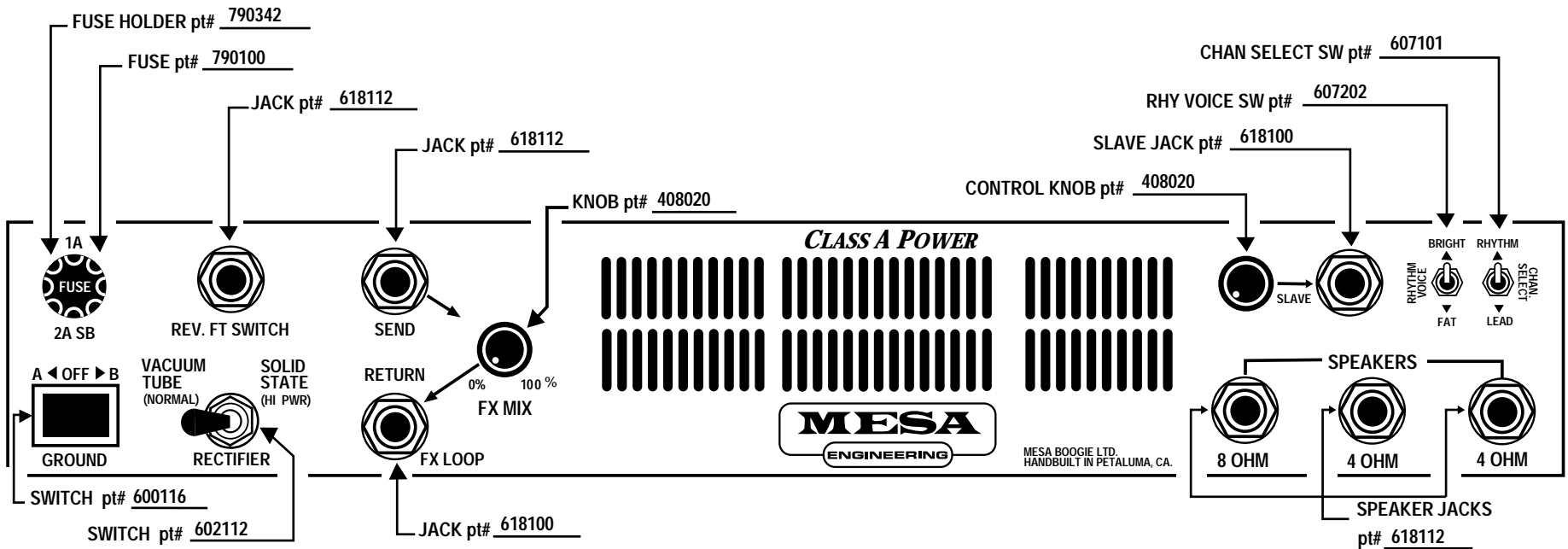




FRONT VIEW: MAVERICK



REAR VIEW: MAVERICK

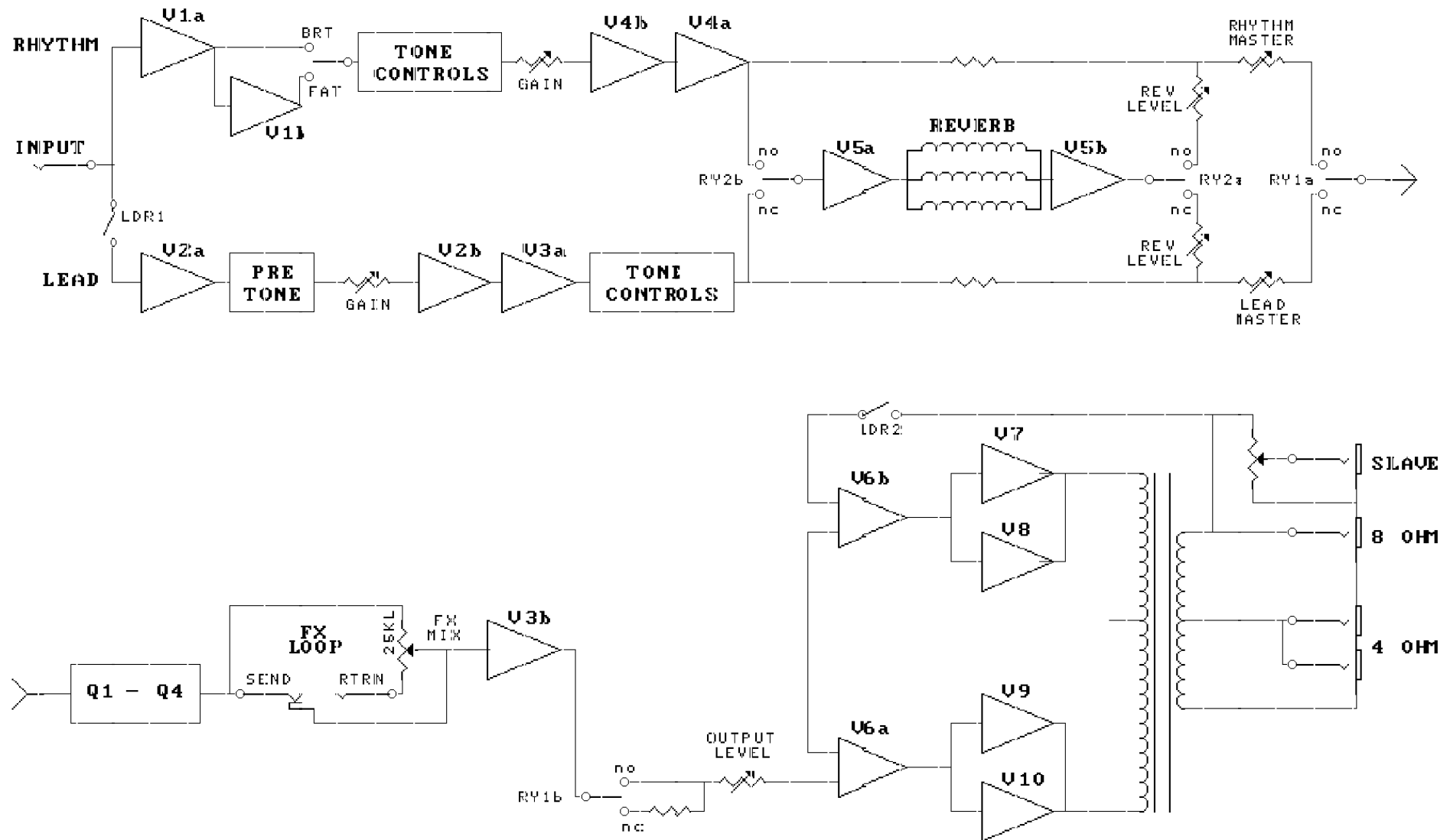


MESA-BOOGIE MAVERICK

BLOCK DIAGRAM

FILE MAVBLOCK.S01

1/6

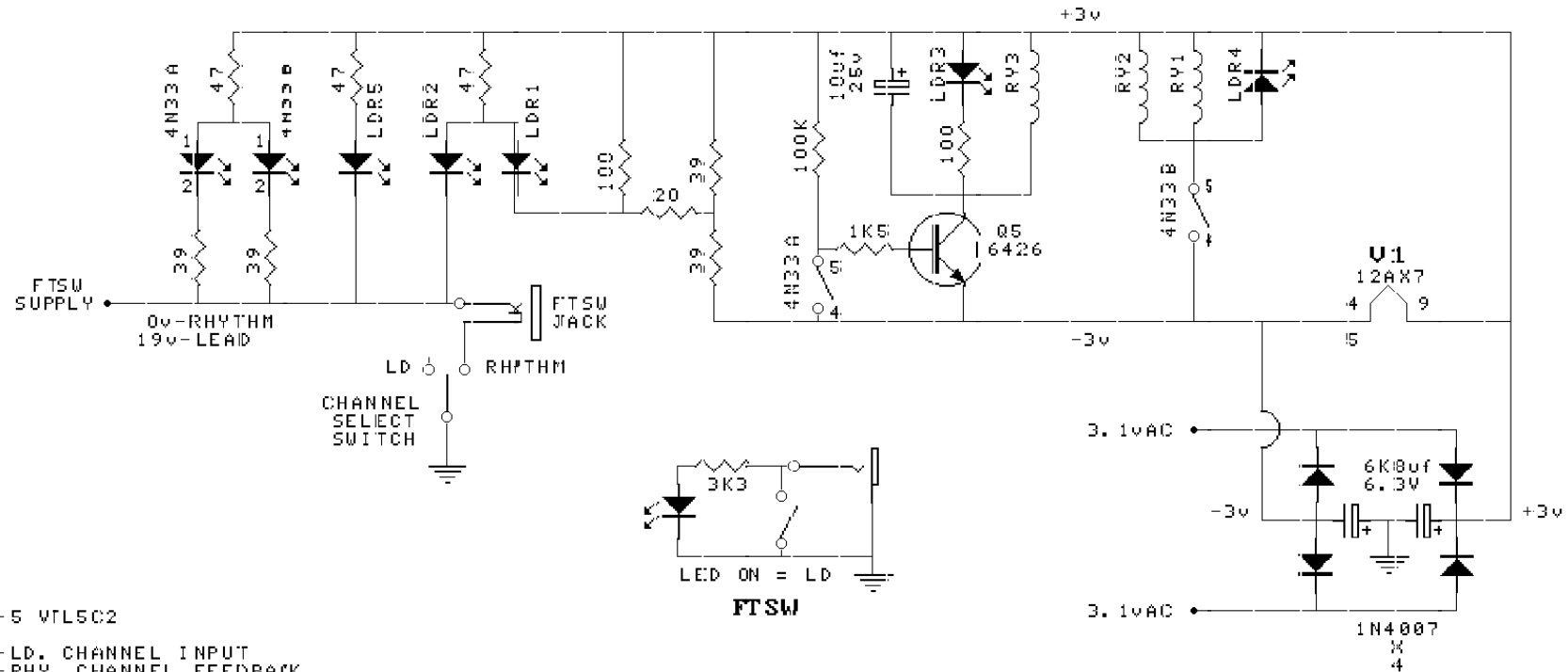


MESA-BOOGIE MAVERICK

SWITCHING MATRIX

FILE MAVSU.501

6/6



LDR1-5 VTL502

LDR1-LD. CHANNEL INPUT
LDR2-RHY. CHANNEL FEEDBACK
LDR3-V4a GRID MUTE (RHYTHM PREAMP)
LDR4-OUTPUT LEVEL MUTE
LDR5-V3a GRID MUTE (LEAD PREAMP)

RY1a-INPUT TO Q1-Q4
RY1b-OUTPUT LEVEL RECONFIGURE

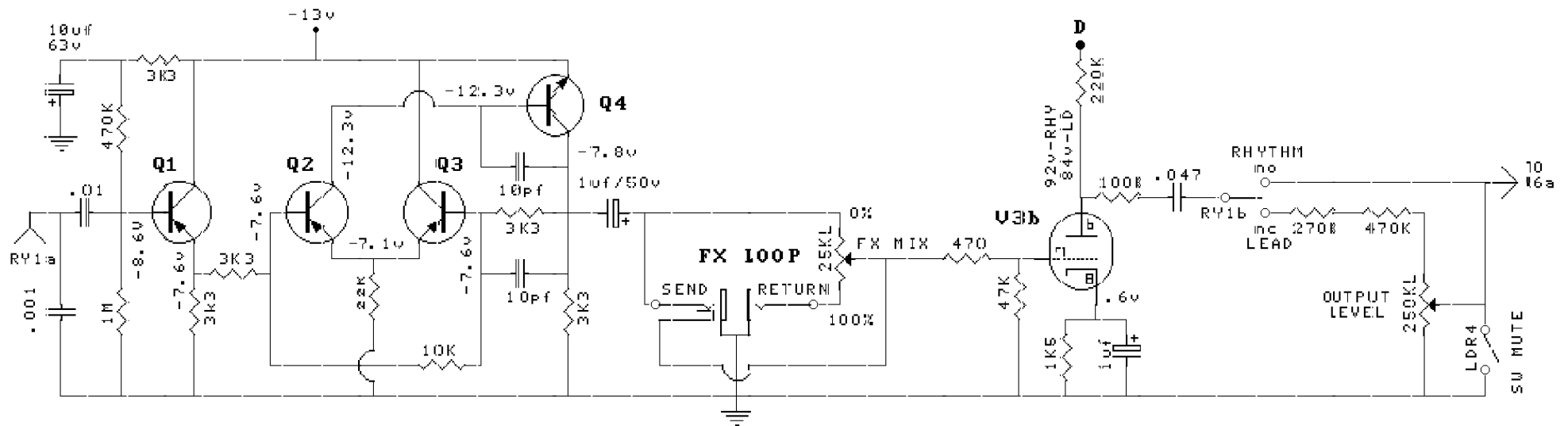
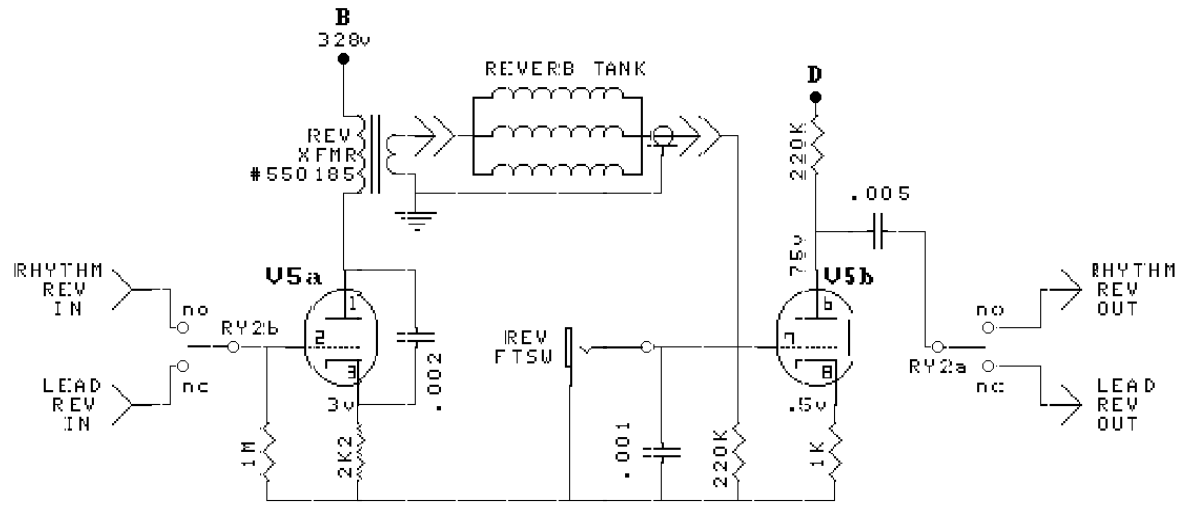
RY2a-REVERB RETURN
RY2b-REVERB SEND

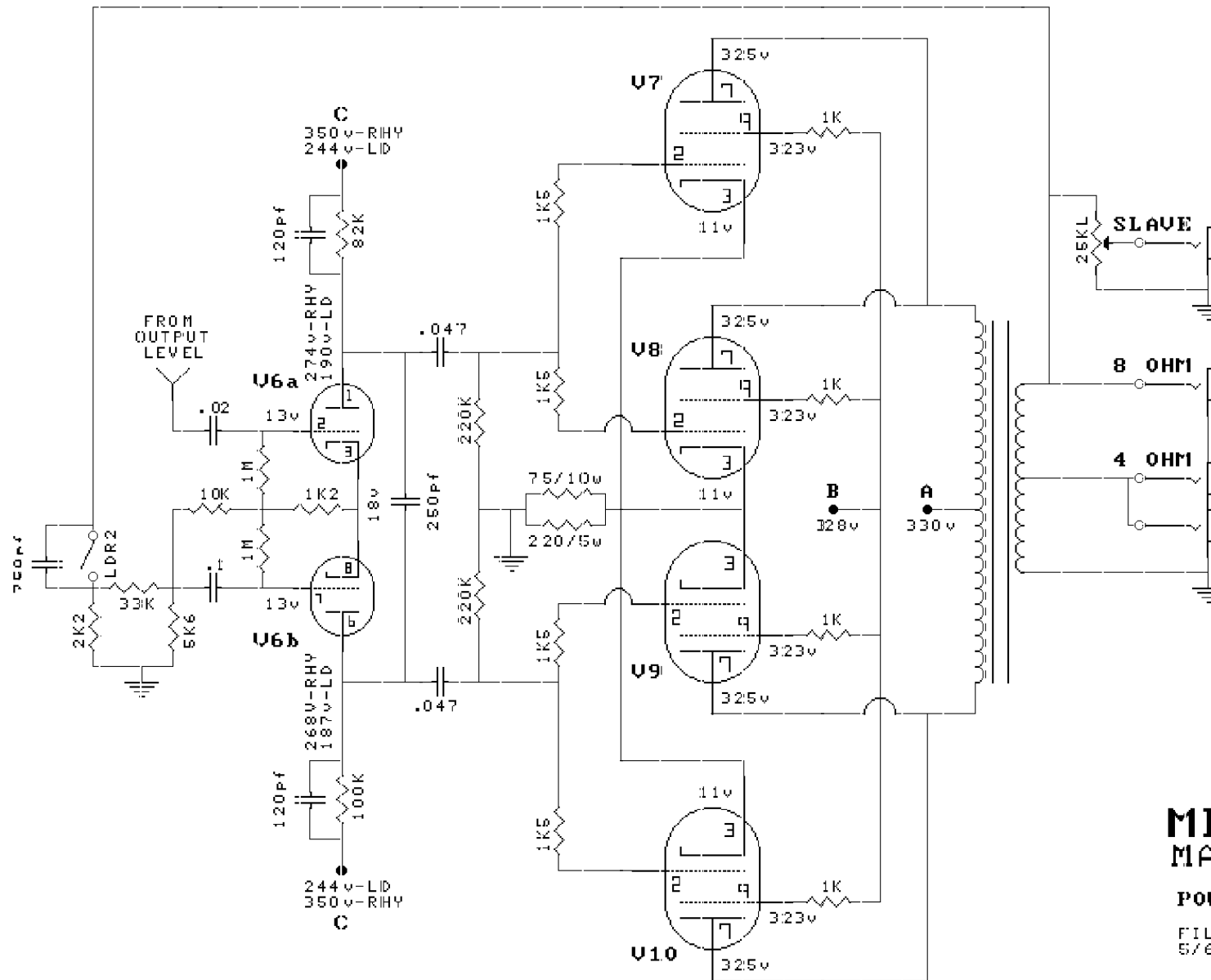
RY3a+b-POWER SUPPLY NETWORK

MESA-BOOGIE MAVERICK

FX LOOP REVERB

FILE MAVPRE2.501
4/6





MESA-BOOGIE MAVERICK

POWER AMP

FILE MAVPUR.501
5/6

MESA-BOOGIE MAVERICK

POWER SUPPLIES

FILE MAVPURSU.S01

2/6

