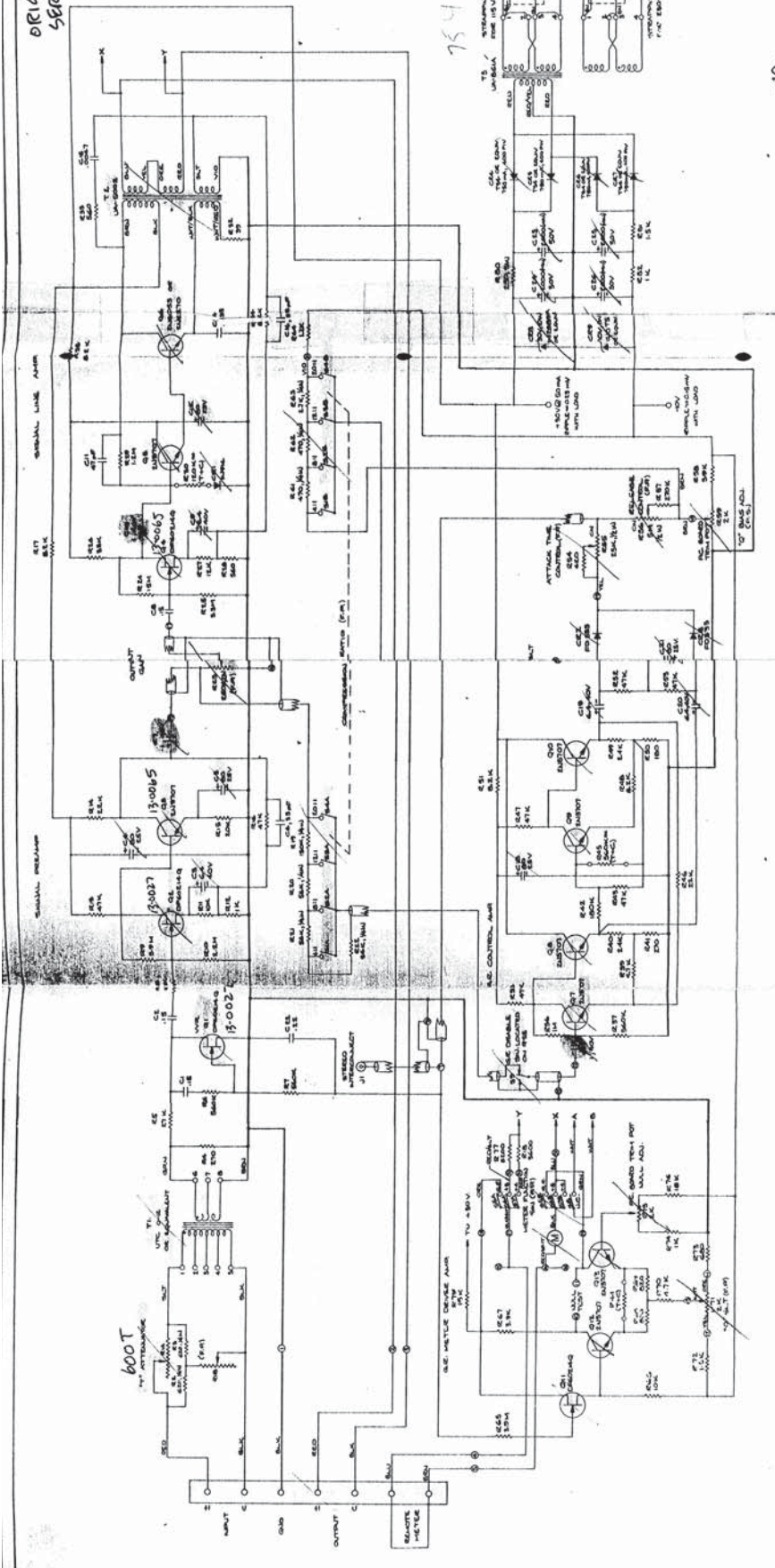


ORIGINAL 1176  
SER 101-125

FRONT PANEL - BLUE ON NUMBER  
DIAL # 10674/10717  
NO LOWER PART NUMBER  
USE 75-1113 - SPECIFIC  
ORDER 6 WK LEAD TIME

REPLACE THE ELECTRONIC  
PARTS BY THE FOLLOWING

- NOTES:
1. ALL COMPONENTS TO BE USED AS SHOWN UNLESS OTHERWISE SPECIFIED.
  2. ALL COMPONENTS TO BE USED AS SHOWN UNLESS OTHERWISE SPECIFIED.
  3. ALL COMPONENTS TO BE USED AS SHOWN UNLESS OTHERWISE SPECIFIED.
  4. ALL COMPONENTS TO BE USED AS SHOWN UNLESS OTHERWISE SPECIFIED.
  5. ALL COMPONENTS TO BE USED AS SHOWN UNLESS OTHERWISE SPECIFIED.
  6. ALL COMPONENTS TO BE USED AS SHOWN UNLESS OTHERWISE SPECIFIED.
  7. ALL COMPONENTS TO BE USED AS SHOWN UNLESS OTHERWISE SPECIFIED.
  8. ALL COMPONENTS TO BE USED AS SHOWN UNLESS OTHERWISE SPECIFIED.
  9. ALL COMPONENTS TO BE USED AS SHOWN UNLESS OTHERWISE SPECIFIED.
  10. ALL COMPONENTS TO BE USED AS SHOWN UNLESS OTHERWISE SPECIFIED.



UNIVERSAL AUDIO DIV.  
RADIO SHACK  
1000 W. 11TH ST.  
PHILADELPHIA, PA. 19104

REV "A"

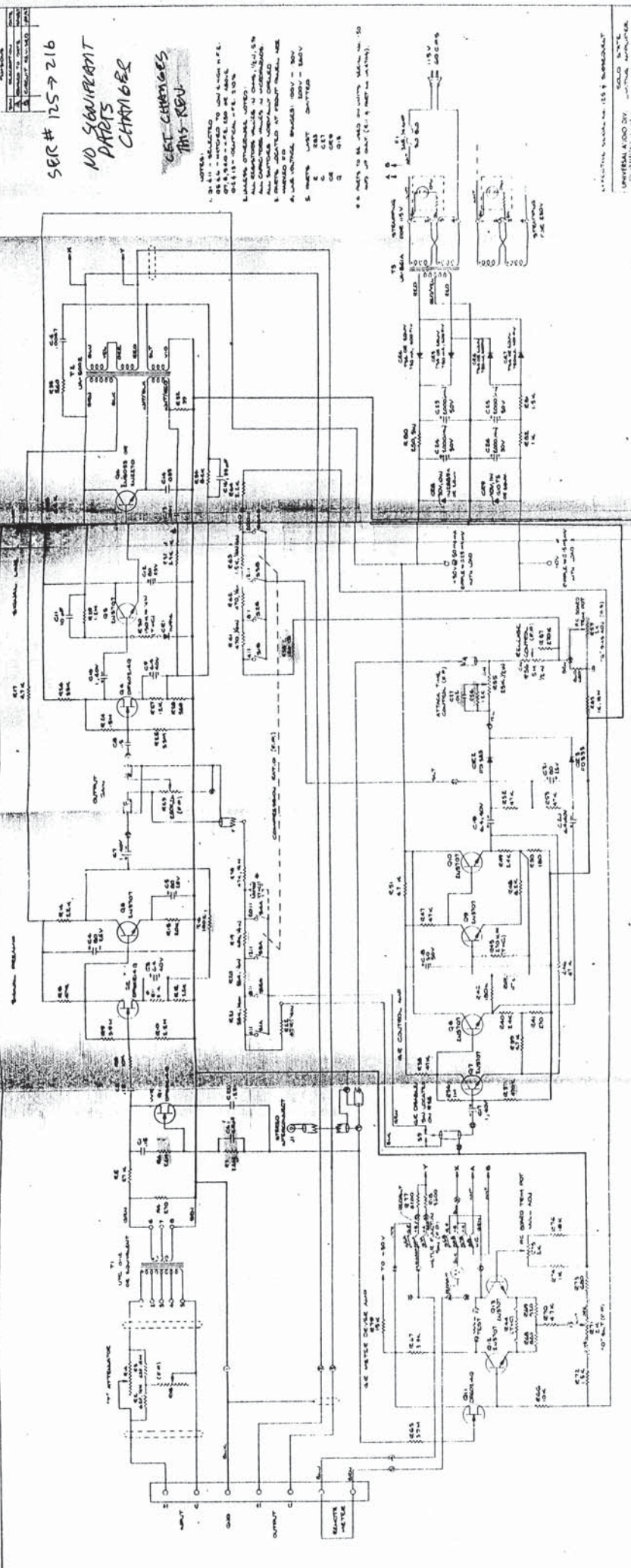
SER # 125 → 216

NO SUBSEQUENT PARTS CHANGES

GET CHANGES THIS REV.

NOTES:

1. ALL RELAY CONTACTS TO BE WELDED TO CONTACTS IN P.E. CASES.
2. ALL RELAY CONTACTS TO BE WELDED TO CONTACTS IN P.E. CASES.
3. ALL RELAY CONTACTS TO BE WELDED TO CONTACTS IN P.E. CASES.
4. ALL RELAY CONTACTS TO BE WELDED TO CONTACTS IN P.E. CASES.
5. ALL RELAY CONTACTS TO BE WELDED TO CONTACTS IN P.E. CASES.
6. ALL RELAY CONTACTS TO BE WELDED TO CONTACTS IN P.E. CASES.
7. ALL RELAY CONTACTS TO BE WELDED TO CONTACTS IN P.E. CASES.
8. ALL RELAY CONTACTS TO BE WELDED TO CONTACTS IN P.E. CASES.
9. ALL RELAY CONTACTS TO BE WELDED TO CONTACTS IN P.E. CASES.
10. ALL RELAY CONTACTS TO BE WELDED TO CONTACTS IN P.E. CASES.

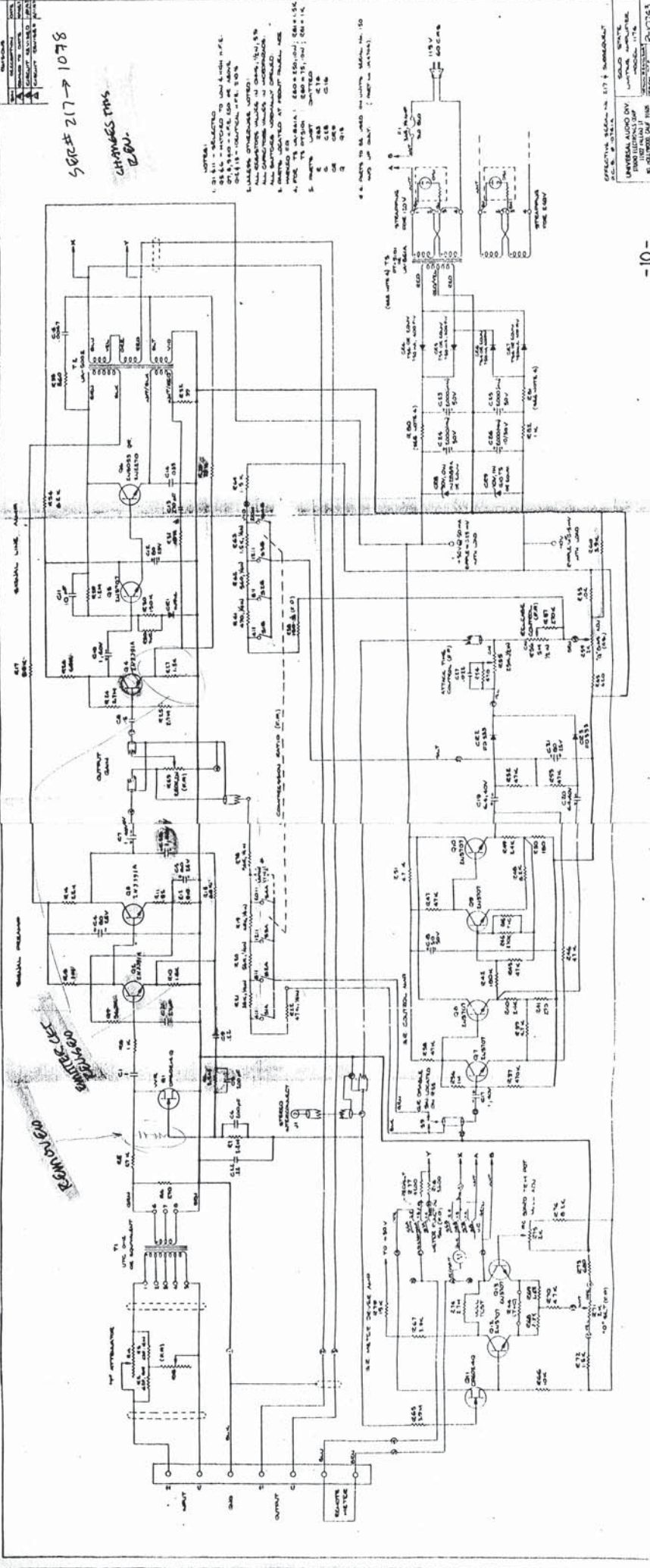


REV "B"

SECRET 217 → 1078

CHANGES THIS  
E.O.U.

- NOTES
1. SEE ATTACHED TO UNIT & UNIT # P.E.
  2. P.E. UNIT - P.E. UNIT # 1078
  3. P.E. UNIT - P.E. UNIT # 1078
  4. P.E. UNIT - P.E. UNIT # 1078
  5. P.E. UNIT - P.E. UNIT # 1078
  6. P.E. UNIT - P.E. UNIT # 1078
  7. P.E. UNIT - P.E. UNIT # 1078
  8. P.E. UNIT - P.E. UNIT # 1078
  9. P.E. UNIT - P.E. UNIT # 1078
  10. P.E. UNIT - P.E. UNIT # 1078



RESISTIVE LOADS IN 17 & SUBSEQUENT  
 ARE 50 OHMS  
 UNLESS OTHERWISE SPECIFIED  
 IN LISTING OF PARTS



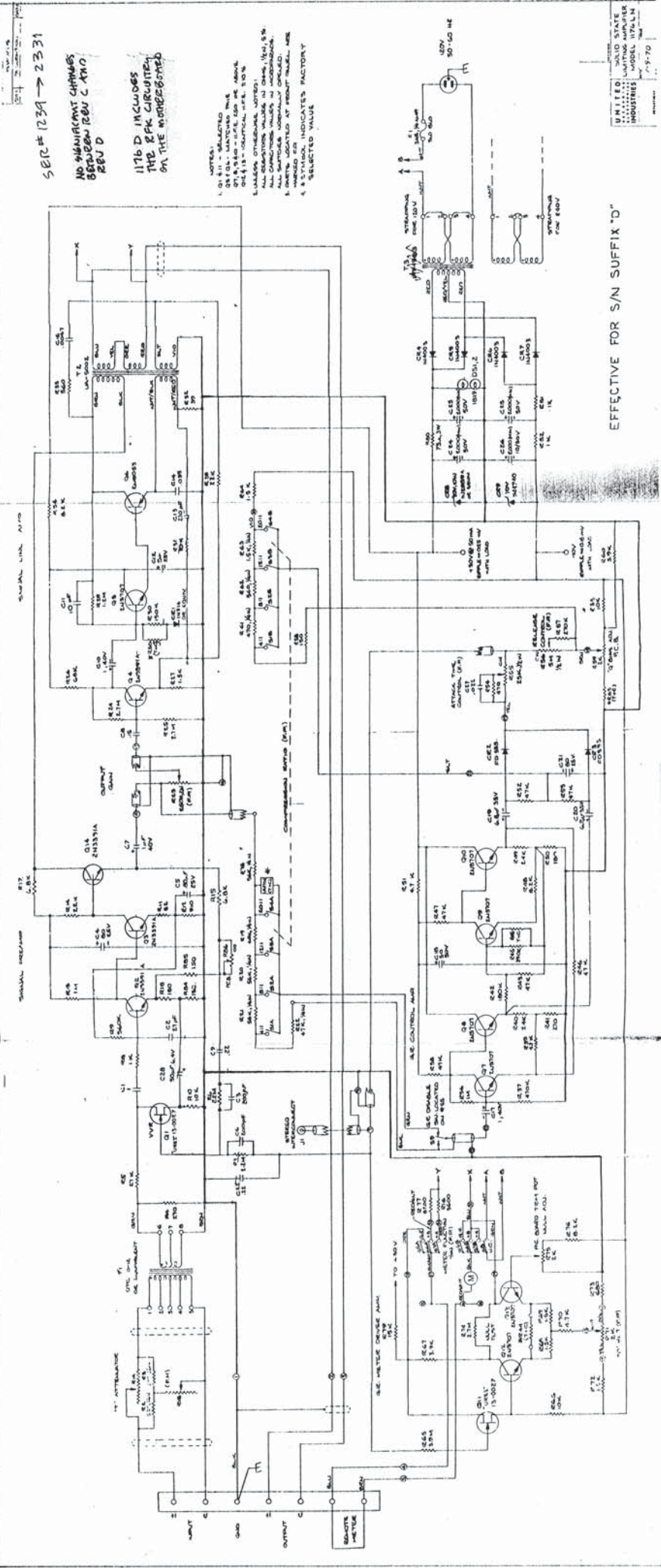
REV "D"

SER # 1239 → 2331

NO SIGNIFICANT CHANGES  
BETWEEN REV C AND  
REV D

1176 D INCLUDES  
THE PFK CIRCUITRY  
ON THE MOUNTED BOARD

NOTES:  
1. Q14 - SELECTED  
Q141 - SELECTED VALUE  
Q1413 - ORIGINAL VALUE  
ALL COMPONENTS MADE IN CANADA (REVIS) EX  
ALL COMPONENTS MADE IN CANADA (REVIS)  
ALL PARTS LISTED AT RIGHT INDICATE  
A SELECTED VALUE  
A SELECTED VALUE



EFFECTIVE FOR S/N SUFFIX "D"

UNITED STATES  
WALD STATE  
MODEL 1176A-N  
SERIES 1176-A  
PAGE 1-770