

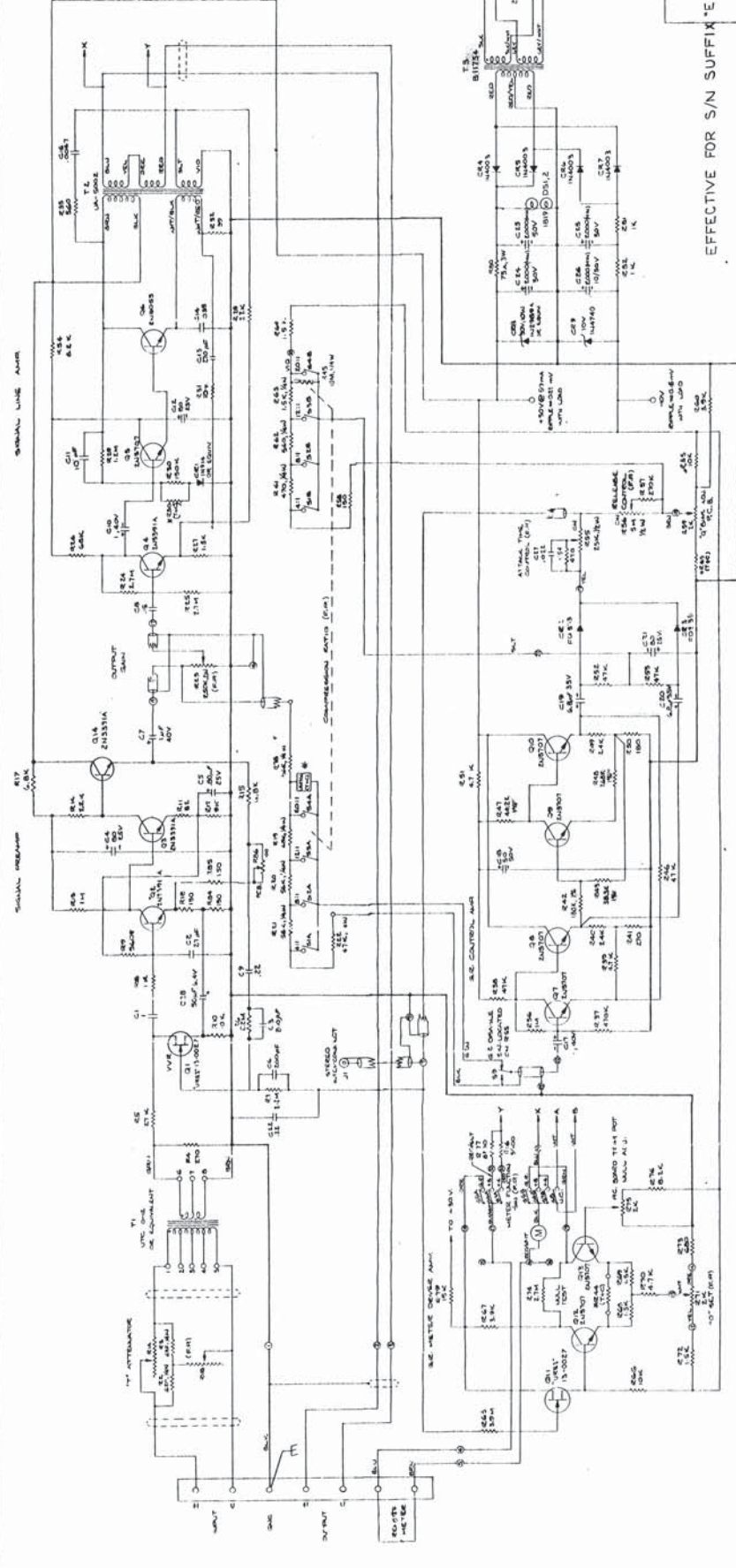
REV "E"

REVISED BY
A PER ECO 00702JUR

#P232-7 2610

NOTES:

1. R 411 - SELECTED VALUE
2. R 1, R 2, R 3, R 4, R 5, R 6, R 7, R 8, R 9, R 10, R 11, R 12, R 13, R 14, R 15, R 16, R 17, R 18, R 19, R 20, R 21, R 22, R 23, R 24, R 25, R 26, R 27, R 28, R 29, R 30, R 31, R 32, R 33, R 34, R 35, R 36, R 37, R 38, R 39, R 40, R 41, R 42, R 43, R 44, R 45, R 46, R 47, R 48, R 49, R 50, R 51, R 52, R 53, R 54, R 55, R 56, R 57, R 58, R 59, R 60, R 61, R 62, R 63, R 64, R 65, R 66, R 67, R 68, R 69, R 70, R 71, R 72, R 73, R 74, R 75, R 76, R 77, R 78, R 79, R 80, R 81, R 82, R 83, R 84, R 85, R 86, R 87, R 88, R 89, R 90, R 91, R 92, R 93, R 94, R 95, R 96, R 97, R 98, R 99, R 100, R 101, R 102, R 103, R 104, R 105, R 106, R 107, R 108, R 109, R 110, R 111, R 112, R 113, R 114, R 115, R 116, R 117, R 118, R 119, R 120, R 121, R 122, R 123, R 124, R 125, R 126, R 127, R 128, R 129, R 130, R 131, R 132, R 133, R 134, R 135, R 136, R 137, R 138, R 139, R 140, R 141, R 142, R 143, R 144, R 145, R 146, R 147, R 148, R 149, R 150, R 151, R 152, R 153, R 154, R 155, R 156, R 157, R 158, R 159, R 160, R 161, R 162, R 163, R 164, R 165, R 166, R 167, R 168, R 169, R 170, R 171, R 172, R 173, R 174, R 175, R 176, R 177, R 178, R 179, R 180, R 181, R 182, R 183, R 184, R 185, R 186, R 187, R 188, R 189, R 190, R 191, R 192, R 193, R 194, R 195, R 196, R 197, R 198, R 199, R 200, R 201, R 202, R 203, R 204, R 205, R 206, R 207, R 208, R 209, R 210, R 211, R 212, R 213, R 214, R 215, R 216, R 217, R 218, R 219, R 220, R 221, R 222, R 223, R 224, R 225, R 226, R 227, R 228, R 229, R 230, R 231, R 232, R 233, R 234, R 235, R 236, R 237, R 238, R 239, R 240, R 241, R 242, R 243, R 244, R 245, R 246, R 247, R 248, R 249, R 250, R 251, R 252, R 253, R 254, R 255, R 256, R 257, R 258, R 259, R 260, R 261, R 262, R 263, R 264, R 265, R 266, R 267, R 268, R 269, R 270, R 271, R 272, R 273, R 274, R 275, R 276, R 277, R 278, R 279, R 280, R 281, R 282, R 283, R 284, R 285, R 286, R 287, R 288, R 289, R 290, R 291, R 292, R 293, R 294, R 295, R 296, R 297, R 298, R 299, R 300, R 301, R 302, R 303, R 304, R 305, R 306, R 307, R 308, R 309, R 310, R 311, R 312, R 313, R 314, R 315, R 316, R 317, R 318, R 319, R 320, R 321, R 322, R 323, R 324, R 325, R 326, R 327, R 328, R 329, R 330, R 331, R 332, R 333, R 334, R 335, R 336, R 337, R 338, R 339, R 340, R 341, R 342, R 343, R 344, R 345, R 346, R 347, R 348, R 349, R 350, R 351, R 352, R 353, R 354, R 355, R 356, R 357, R 358, R 359, R 360, R 361, R 362, R 363, R 364, R 365, R 366, R 367, R 368, R 369, R 370, R 371, R 372, R 373, R 374, R 375, R 376, R 377, R 378, R 379, R 380, R 381, R 382, R 383, R 384, R 385, R 386, R 387, R 388, R 389, R 390, R 391, R 392, R 393, R 394, R 395, R 396, R 397, R 398, R 399, R 400, R 401, R 402, R 403, R 404, R 405, R 406, R 407, R 408, R 409, R 410, R 411, R 412, R 413, R 414, R 415, R 416, R 417, R 418, R 419, R 420, R 421, R 422, R 423, R 424, R 425, R 426, R 427, R 428, R 429, R 430, R 431, R 432, R 433, R 434, R 435, R 436, R 437, R 438, R 439, R 440, R 441, R 442, R 443, R 444, R 445, R 446, R 447, R 448, R 449, R 450, R 451, R 452, R 453, R 454, R 455, R 456, R 457, R 458, R 459, R 460, R 461, R 462, R 463, R 464, R 465, R 466, R 467, R 468, R 469, R 470, R 471, R 472, R 473, R 474, R 475, R 476, R 477, R 478, R 479, R 480, R 481, R 482, R 483, R 484, R 485, R 486, R 487, R 488, R 489, R 490, R 491, R 492, R 493, R 494, R 495, R 496, R 497, R 498, R 499, R 500, R 501, R 502, R 503, R 504, R 505, R 506, R 507, R 508, R 509, R 510, R 511, R 512, R 513, R 514, R 515, R 516, R 517, R 518, R 519, R 520, R 521, R 522, R 523, R 524, R 525, R 526, R 527, R 528, R 529, R 530, R 531, R 532, R 533, R 534, R 535, R 536, R 537, R 538, R 539, R 540, R 541, R 542, R 543, R 544, R 545, R 546, R 547, R 548, R 549, R 550, R 551, R 552, R 553, R 554, R 555, R 556, R 557, R 558, R 559, R 560, R 561, R 562, R 563, R 564, R 565, R 566, R 567, R 568, R 569, R 570, R 571, R 572, R 573, R 574, R 575, R 576, R 577, R 578, R 579, R 580, R 581, R 582, R 583, R 584, R 585, R 586, R 587, R 588, R 589, R 590, R 591, R 592, R 593, R 594, R 595, R 596, R 597, R 598, R 599, R 600, R 601, R 602, R 603, R 604, R 605, R 606, R 607, R 608, R 609, R 610, R 611, R 612, R 613, R 614, R 615, R 616, R 617, R 618, R 619, R 620, R 621, R 622, R 623, R 624, R 625, R 626, R 627, R 628, R 629, R 630, R 631, R 632, R 633, R 634, R 635, R 636, R 637, R 638, R 639, R 640, R 641, R 642, R 643, R 644, R 645, R 646, R 647, R 648, R 649, R 650, R 651, R 652, R 653, R 654, R 655, R 656, R 657, R 658, R 659, R 660, R 661, R 662, R 663, R 664, R 665, R 666, R 667, R 668, R 669, R 670, R 671, R 672, R 673, R 674, R 675, R 676, R 677, R 678, R 679, R 680, R 681, R 682, R 683, R 684, R 685, R 686, R 687, R 688, R 689, R 690, R 691, R 692, R 693, R 694, R 695, R 696, R 697, R 698, R 699, R 700, R 701, R 702, R 703, R 704, R 705, R 706, R 707, R 708, R 709, R 710, R 711, R 712, R 713, R 714, R 715, R 716, R 717, R 718, R 719, R 720, R 721, R 722, R 723, R 724, R 725, R 726, R 727, R 728, R 729, R 730, R 731, R 732, R 733, R 734, R 735, R 736, R 737, R 738, R 739, R 740, R 741, R 742, R 743, R 744, R 745, R 746, R 747, R 748, R 749, R 750, R 751, R 752, R 753, R 754, R 755, R 756, R 757, R 758, R 759, R 760, R 761, R 762, R 763, R 764, R 765, R 766, R 767, R 768, R 769, R 770, R 771, R 772, R 773, R 774, R 775, R 776, R 777, R 778, R 779, R 780, R 781, R 782, R 783, R 784, R 785, R 786, R 787, R 788, R 789, R 790, R 791, R 792, R 793, R 794, R 795, R 796, R 797, R 798, R 799, R 800, R 801, R 802, R 803, R 804, R 805, R 806, R 807, R 808, R 809, R 810, R 811, R 812, R 813, R 814, R 815, R 816, R 817, R 818, R 819, R 820, R 821, R 822, R 823, R 824, R 825, R 826, R 827, R 828, R 829, R 830, R 831, R 832, R 833, R 834, R 835, R 836, R 837, R 838, R 839, R 840, R 841, R 842, R 843, R 844, R 845, R 846, R 847, R 848, R 849, R 850, R 851, R 852, R 853, R 854, R 855, R 856, R 857, R 858, R 859, R 860, R 861, R 862, R 863, R 864, R 865, R 866, R 867, R 868, R 869, R 870, R 871, R 872, R 873, R 874, R 875, R 876, R 877, R 878, R 879, R 880, R 881, R 882, R 883, R 884, R 885, R 886, R 887, R 888, R 889, R 890, R 891, R 892, R 893, R 894, R 895, R 896, R 897, R 898, R 899, R 900, R 901, R 902, R 903, R 904, R 905, R 906, R 907, R 908, R 909, R 910, R 911, R 912, R 913, R 914, R 915, R 916, R 917, R 918, R 919, R 920, R 921, R 922, R 923, R 924, R 925, R 926, R 927, R 928, R 929, R 930, R 931, R 932, R 933, R 934, R 935, R 936, R 937, R 938, R 939, R 940, R 941, R 942, R 943, R 944, R 945, R 946, R 947, R 948, R 949, R 950, R 951, R 952, R 953, R 954, R 955, R 956, R 957, R 958, R 959, R 960, R 961, R 962, R 963, R 964, R 965, R 966, R 967, R 968, R 969, R 970, R 971, R 972, R 973, R 974, R 975, R 976, R 977, R 978, R 979, R 980, R 981, R 982, R 983, R 984, R 985, R 986, R 987, R 988, R 989, R 990, R 991, R 992, R 993, R 994, R 995, R 996, R 997, R 998, R 999, R 1000.



EFFECTIVE FOR S/N SUFFIX "E"

UNITED STATES
PATENT AND
INDUSTRIES
CORPORATION
NEW YORK, N.Y.

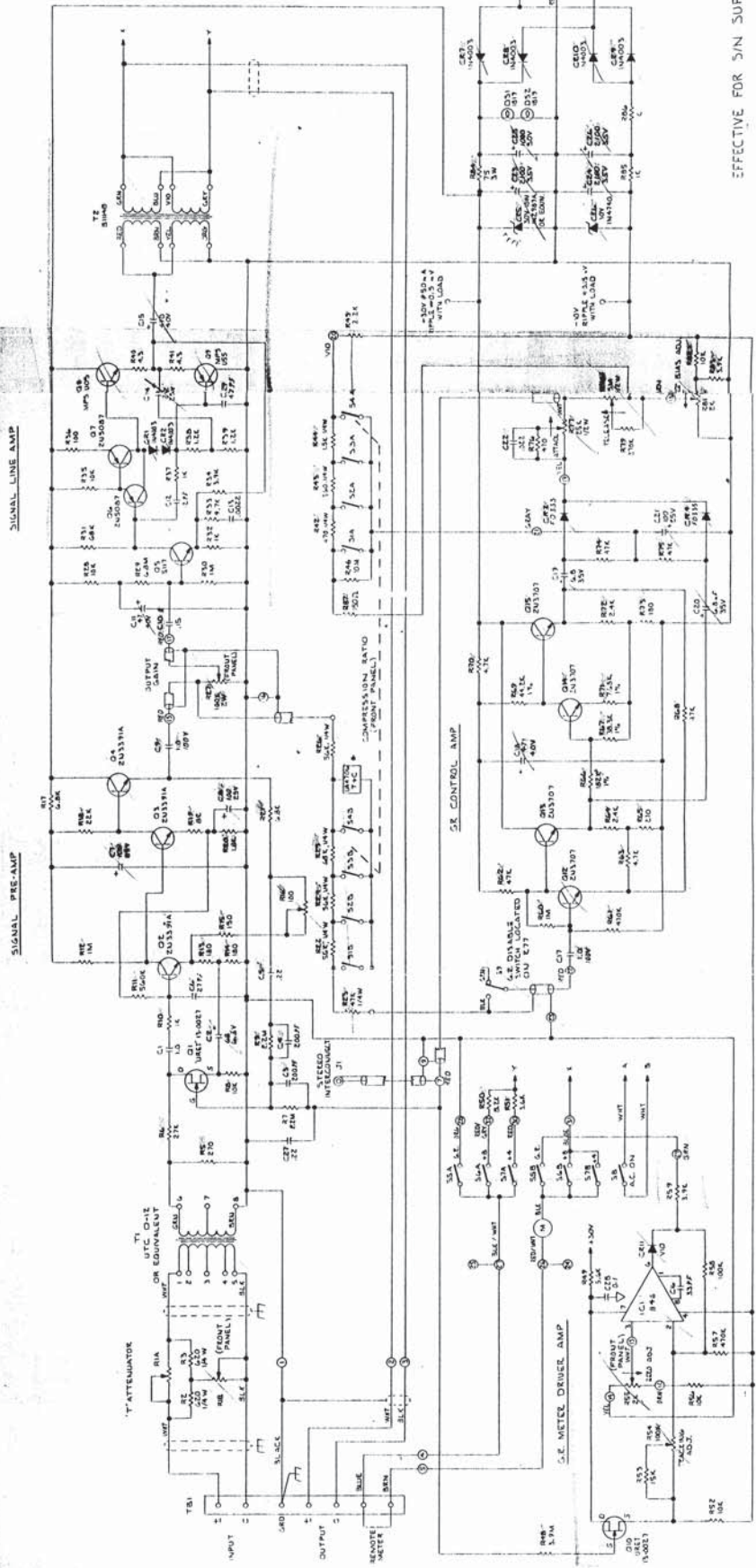
MODEL NO. 2-1
7-779
R11225

REV 'F'

#2611 -> 7052

CHANGES THIS PCB.

- NOTES: UNLESS OTHERWISE SPECIFIED
1. ALL RESISTOR VALUES ARE IN OHMS
 2. ALL CAPACITOR VALUES ARE IN MICROFARADS
 3. SWITCHES ARE NORMALLY OPEN
 4. DI AND DO ARE SELECTED TERMINALS
 5. A SYMBOL INDICATES A 20% TOLERANCE



REV D SEE 820-1075-05 2-21-70M
 REV C SEE 820-1075-05 1-15-70M
 REV B SEE 820-1075-05 1-15-70M
 REV A CHANGED FOR VALUE
 CORRECTING ONLY 12/16/66

UNITED STATES
 LAMING MANUFACTURING COMPANY
 MODEL 100-100
 3-15-73
 100-100-100
 100-100-100

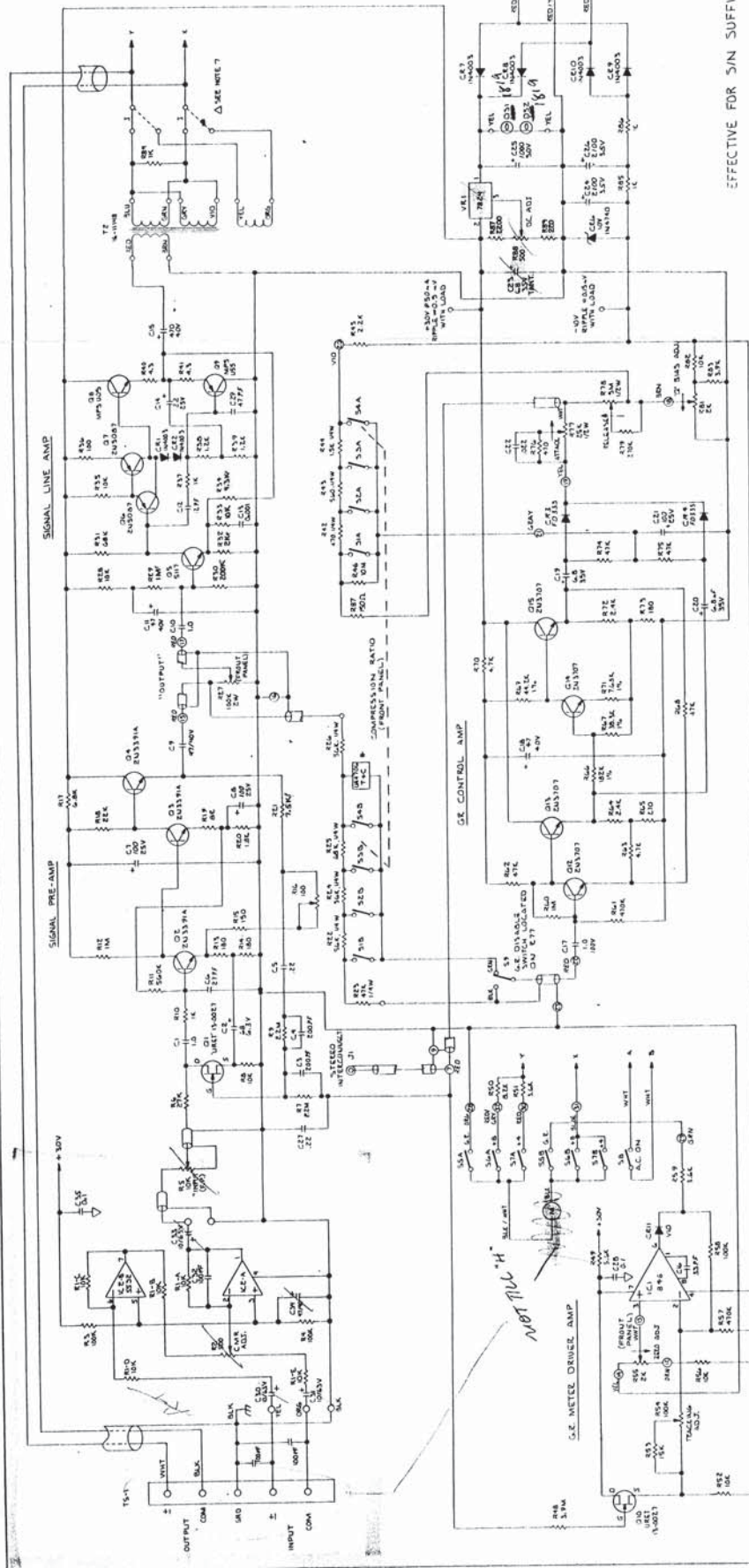
EFFECTIVE FOR SIN SUFFIX 'F'

REV "G"

7053 → 7651

CHANGES THIS REV

- NOTES: VALUES OTHERWISE SPECIFIED
1. ALL RESISTOR VALUES ARE IN OHMS
 2. ALL CAPACITOR VALUES ARE IN MICROFARADS UNLESS OTHERWISE SPECIFIED
 3. ALL VOLTAGE VALUES ARE IN VOLTS UNLESS OTHERWISE SPECIFIED
 4. ALL WAVEFORMS ARE AS SHOWN UNLESS OTHERWISE SPECIFIED
 5. ALL SIGNALS ARE IN PHASE UNLESS OTHERWISE SPECIFIED
 6. ALL SIGNALS ARE IN PHASE UNLESS OTHERWISE SPECIFIED
 7. Δ OUTPUT SIGNALS WINDING FOR SYNCHRONOUS MOTOR CONNECTION FOR 120V AC OUTPUT (ELECTRIC ONLY) GAIN REDUCED 10 DB.



EFFECTIVE FOR SIN SUFFIX 'G'

UNITED STATES	INDUSTRIES
MODEL 1014-L	3-15-73
REV. 1	REV. 2
REV. 3	REV. 4
REV. 5	REV. 6
REV. 7	REV. 8
REV. 9	REV. 10
REV. 11	REV. 12
REV. 13	REV. 14
REV. 15	REV. 16
REV. 17	REV. 18
REV. 19	REV. 20
REV. 21	REV. 22
REV. 23	REV. 24
REV. 25	REV. 26
REV. 27	REV. 28
REV. 29	REV. 30
REV. 31	REV. 32
REV. 33	REV. 34
REV. 35	REV. 36
REV. 37	REV. 38
REV. 39	REV. 40
REV. 41	REV. 42
REV. 43	REV. 44
REV. 45	REV. 46
REV. 47	REV. 48
REV. 49	REV. 50
REV. 51	REV. 52
REV. 53	REV. 54
REV. 55	REV. 56
REV. 57	REV. 58
REV. 59	REV. 60
REV. 61	REV. 62
REV. 63	REV. 64
REV. 65	REV. 66
REV. 67	REV. 68
REV. 69	REV. 70
REV. 71	REV. 72
REV. 73	REV. 74
REV. 75	REV. 76
REV. 77	REV. 78
REV. 79	REV. 80
REV. 81	REV. 82
REV. 83	REV. 84
REV. 85	REV. 86
REV. 87	REV. 88
REV. 89	REV. 90
REV. 91	REV. 92
REV. 93	REV. 94
REV. 95	REV. 96
REV. 97	REV. 98
REV. 99	REV. 100

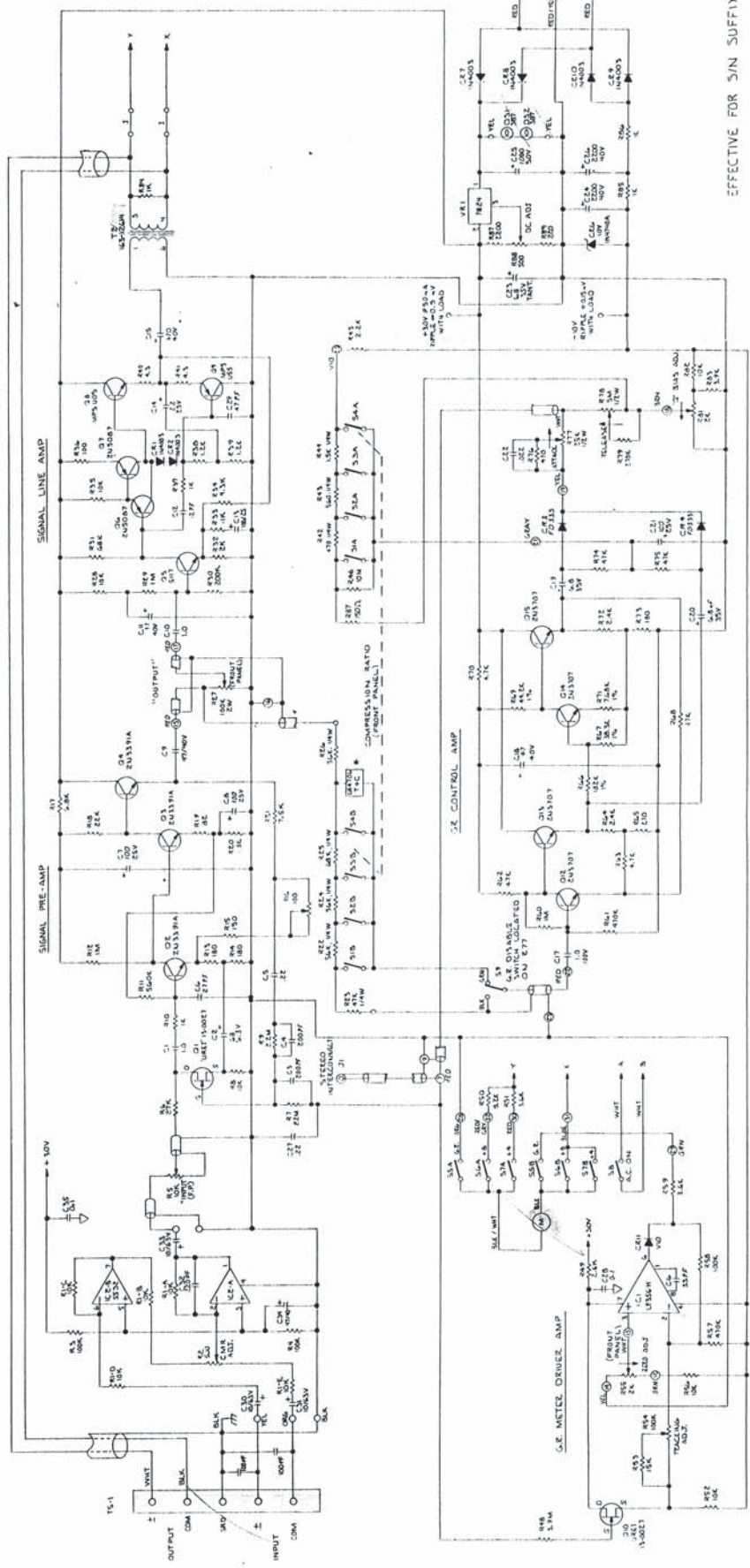
REV "H"

#7652 →

CHANGES
THIS REV

- NOTES: UNLESS OTHERWISE SPECIFIED
1. ALL RESISTOR VALUES ARE IN OHMS
 2. ALL CAPACITOR VALUES ARE IN MICROFARADS
 3. SWITCHES ARE NORMALLY OPEN
 4. 01 AND 00 ARE SELECTED FOR THIS REV
 5. 4 SYMBOL INDICATES FACTORY SET

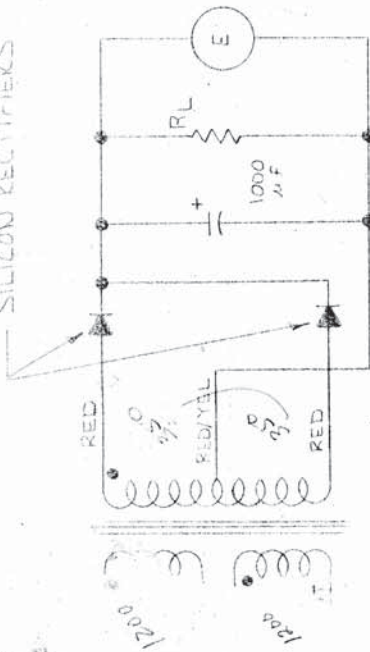
NEW FC-PAN
METER
K
CHASSIS



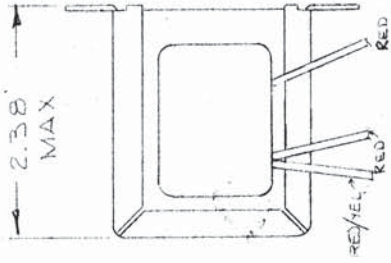
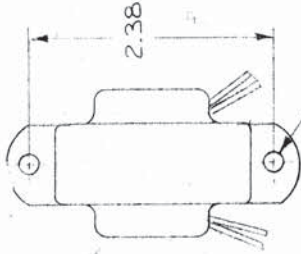
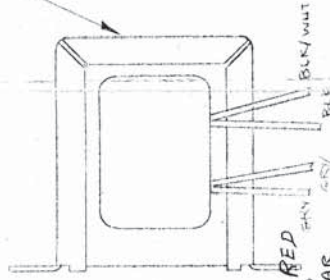
EFFECTIVE FOR 'SIN SUFFIX 'H'

UNITED SOLID STATE	INDUSTRIES, INC.
1000 W. 10TH ST.	PHILADELPHIA, PA. 19104
TELEPHONE: 215-381-1111	FAX: 215-381-1112
TELETYPE: 215-381-1113	TELEFAX: 215-381-1114
TELEMAIL: 215-381-1115	INTERNET: 215-381-1116
TELEFAX: 215-381-1117	TELETYPE: 215-381-1118
TELEFAX: 215-381-1119	TELETYPE: 215-381-1120
TELEFAX: 215-381-1121	TELETYPE: 215-381-1122
TELEFAX: 215-381-1123	TELETYPE: 215-381-1124
TELEFAX: 215-381-1125	TELETYPE: 215-381-1126
TELEFAX: 215-381-1127	TELETYPE: 215-381-1128
TELEFAX: 215-381-1129	TELETYPE: 215-381-1130
TELEFAX: 215-381-1131	TELETYPE: 215-381-1132
TELEFAX: 215-381-1133	TELETYPE: 215-381-1134
TELEFAX: 215-381-1135	TELETYPE: 215-381-1136
TELEFAX: 215-381-1137	TELETYPE: 215-381-1138
TELEFAX: 215-381-1139	TELETYPE: 215-381-1140
TELEFAX: 215-381-1141	TELETYPE: 215-381-1142
TELEFAX: 215-381-1143	TELETYPE: 215-381-1144
TELEFAX: 215-381-1145	TELETYPE: 215-381-1146
TELEFAX: 215-381-1147	TELETYPE: 215-381-1148
TELEFAX: 215-381-1149	TELETYPE: 215-381-1150
TELEFAX: 215-381-1151	TELETYPE: 215-381-1152
TELEFAX: 215-381-1153	TELETYPE: 215-381-1154
TELEFAX: 215-381-1155	TELETYPE: 215-381-1156
TELEFAX: 215-381-1157	TELETYPE: 215-381-1158
TELEFAX: 215-381-1159	TELETYPE: 215-381-1160
TELEFAX: 215-381-1161	TELETYPE: 215-381-1162
TELEFAX: 215-381-1163	TELETYPE: 215-381-1164
TELEFAX: 215-381-1165	TELETYPE: 215-381-1166
TELEFAX: 215-381-1167	TELETYPE: 215-381-1168
TELEFAX: 215-381-1169	TELETYPE: 215-381-1170
TELEFAX: 215-381-1171	TELETYPE: 215-381-1172
TELEFAX: 215-381-1173	TELETYPE: 215-381-1174
TELEFAX: 215-381-1175	TELETYPE: 215-381-1176
TELEFAX: 215-381-1177	TELETYPE: 215-381-1178
TELEFAX: 215-381-1179	TELETYPE: 215-381-1180
TELEFAX: 215-381-1181	TELETYPE: 215-381-1182
TELEFAX: 215-381-1183	TELETYPE: 215-381-1184
TELEFAX: 215-381-1185	TELETYPE: 215-381-1186
TELEFAX: 215-381-1187	TELETYPE: 215-381-1188
TELEFAX: 215-381-1189	TELETYPE: 215-381-1190
TELEFAX: 215-381-1191	TELETYPE: 215-381-1192
TELEFAX: 215-381-1193	TELETYPE: 215-381-1194
TELEFAX: 215-381-1195	TELETYPE: 215-381-1196
TELEFAX: 215-381-1197	TELETYPE: 215-381-1198
TELEFAX: 215-381-1199	TELETYPE: 215-381-1199

SILICON RECTIFIERS



MARK USEJ 16-11754
CODE DATE AND
SOURCE CODE ON
TOP SURFACE



6. REFERRED WINDING DATA: PRIMARY 1200 TURNS #34 RED
SECONDARY 350 TURNS #30 C.I. WIND 2nd BIFILAR
ALL LEADS ACROSS WHEN LEADING

9. TOTAL UNUSED OPENINGS IN TRANSFORMER CASE SHALL NOT EXCEED .25 SO INCHES

8. VARNISH XFMR BEFORE INSTALLING CHANNEL OR END BELLS

7. TRANSFORMER MUST WITHSTAND 900V HI-POT BETWEEN ANY LEADS NOT INTERNALLY CONNECTED OR BETWEEN ANY LEAD AND CORE

6. INTERNAL HEAT RISE AT 160MA LOAD CURRENT WITH 130 VOLT 50HZ LINE MUST NOT EXCEED 40°C

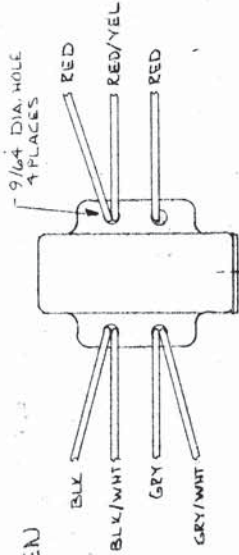
5. WHEN RL IS OPEN E MUST NOT EXCEED 48 VOLTS D.C. WHEN RL = 150 Ω E MUST NOT BE LESS THAN 35 V.D.C.

4. LEADS MUST BE FIRMLY ANCHORED CONSISTENT WITH GOOD TRANSFORMER DESIGN PRACTICE AND MUST BE ABLE TO WITHSTAND 10 LB PULL

3. LEADS SHALL BE #22 STRANDED P.V.C. 600V INSULATION

2. TRANSFORMER MUST BE FREE OF EXCESS WAX AND VARNISH AND PRESENT A CLEAN EXTERNAL APPEARANCE.

1. TRANSFORMER INCLUDES END BELLS WITH LEADS EXITING AS SHOWN



COLOR	LENGTH	STRIP & TIN
BLACK	8"	NONE
BLK/WHT	"	"
GRAY	"	"
GRY/WHT	"	"
RED	"	"
RED/YEL	"	"
RED	"	"

REV B CHANGE B175A
TO 16-11754 11-977 RPNM
8-9-76 *Good 1/2-1/4*
REDUCED WIRE EXITS
REVISIONS

UNITED
RECORDING
ELECTRONICS
INDUSTRIES

TRANSFORMER
POWER

DATE 1-17-73
MODEL 920-16
1176-LM
DEPARTMENT

CHECKED L.E.
APPROVED B11754B
LOS ANGELES
CALIFORNIA

11754

NOTES: