

CARVERaudio.com

A Website Devoted to the Legacy of Bob Carver's Electronics

This, and all manuals found on CARVERaudio.com have been painstakingly scanned, compiled, cataloged and archived by our [dedicated forum members](#), for the benefit of all Carver audio fanatics. These manuals are NOT intended for re-sale. If you should find these manuals "For Sale" on any website, please report your findings to us, so we may have them removed.

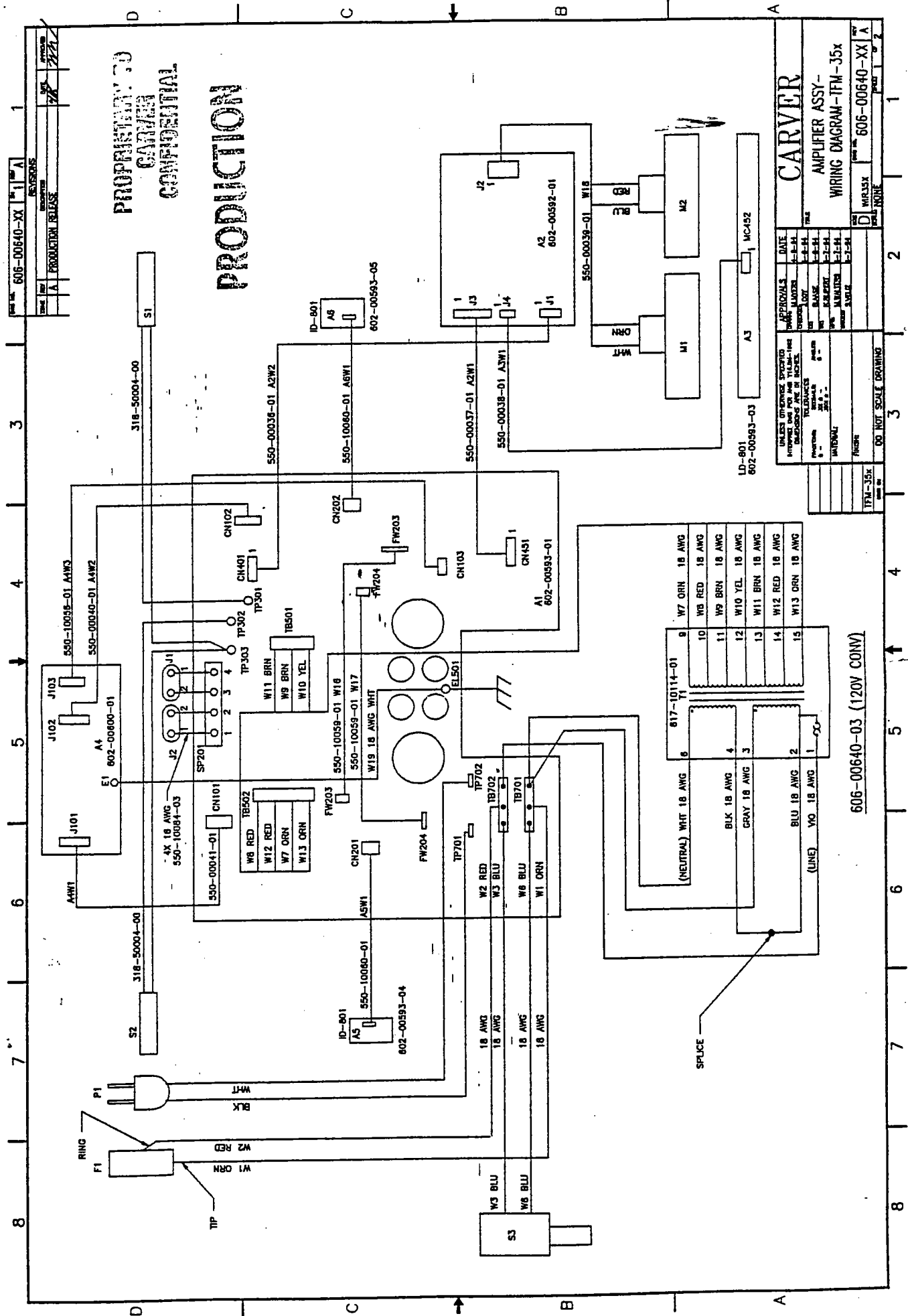
CARVERaudio.com

17

CARVER

TFM-35x

SCHEMATICS AND LAYOUTS

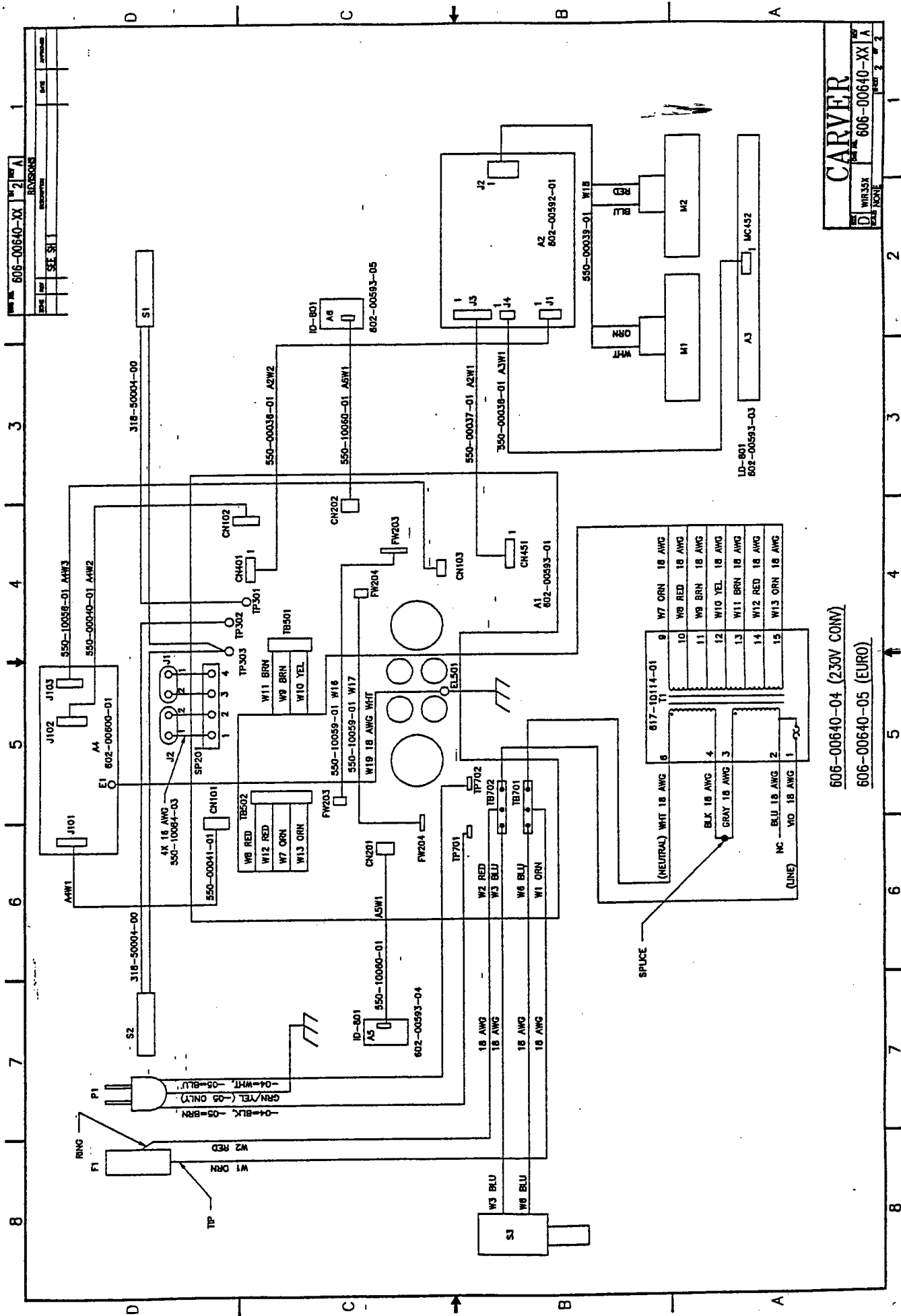


REV	DATE	DESCRIPTION
1	11/11/11	PRODUCTION RELEASE

PROPRIETARY TO
CARVER
 CONFIDENTIAL
PRODUCTION

CARVER AMPLIFIER ASSY- WIRING DIAGRAM-ITM-35x	
DATE	11-11-11
DESIGNED BY	WJL
CHECKED BY	WJL
APPROVED BY	WJL
TESTED BY	WJL
WIRING	WJL
SCALE	1:1
NO.	606-00640-XX
REV.	A

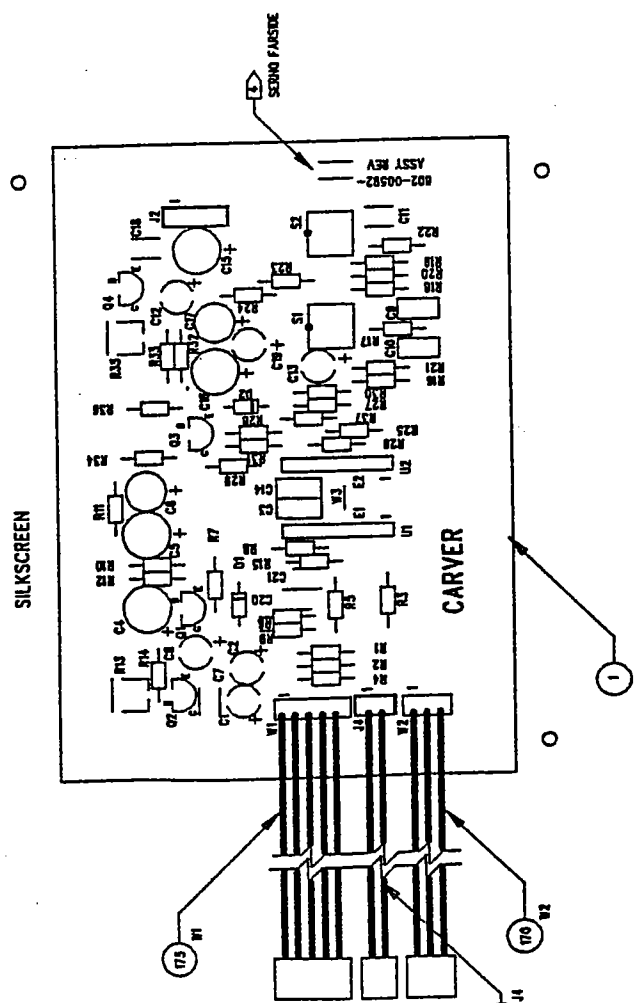
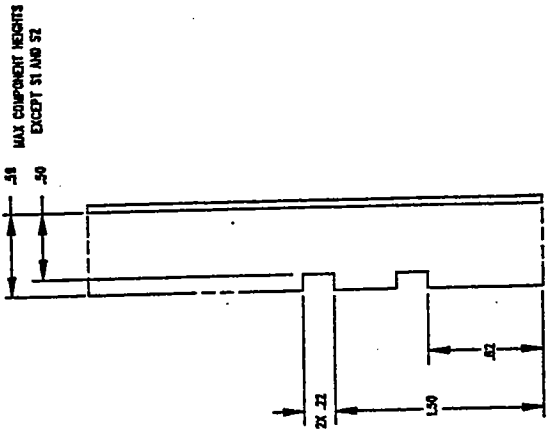
606-00640-03 (120V CONV)



606-00640-04 (230V CONV)
606-00640-05 (EURO)

CARVER
WIRSSX
606-00640-XX A
REV. 2

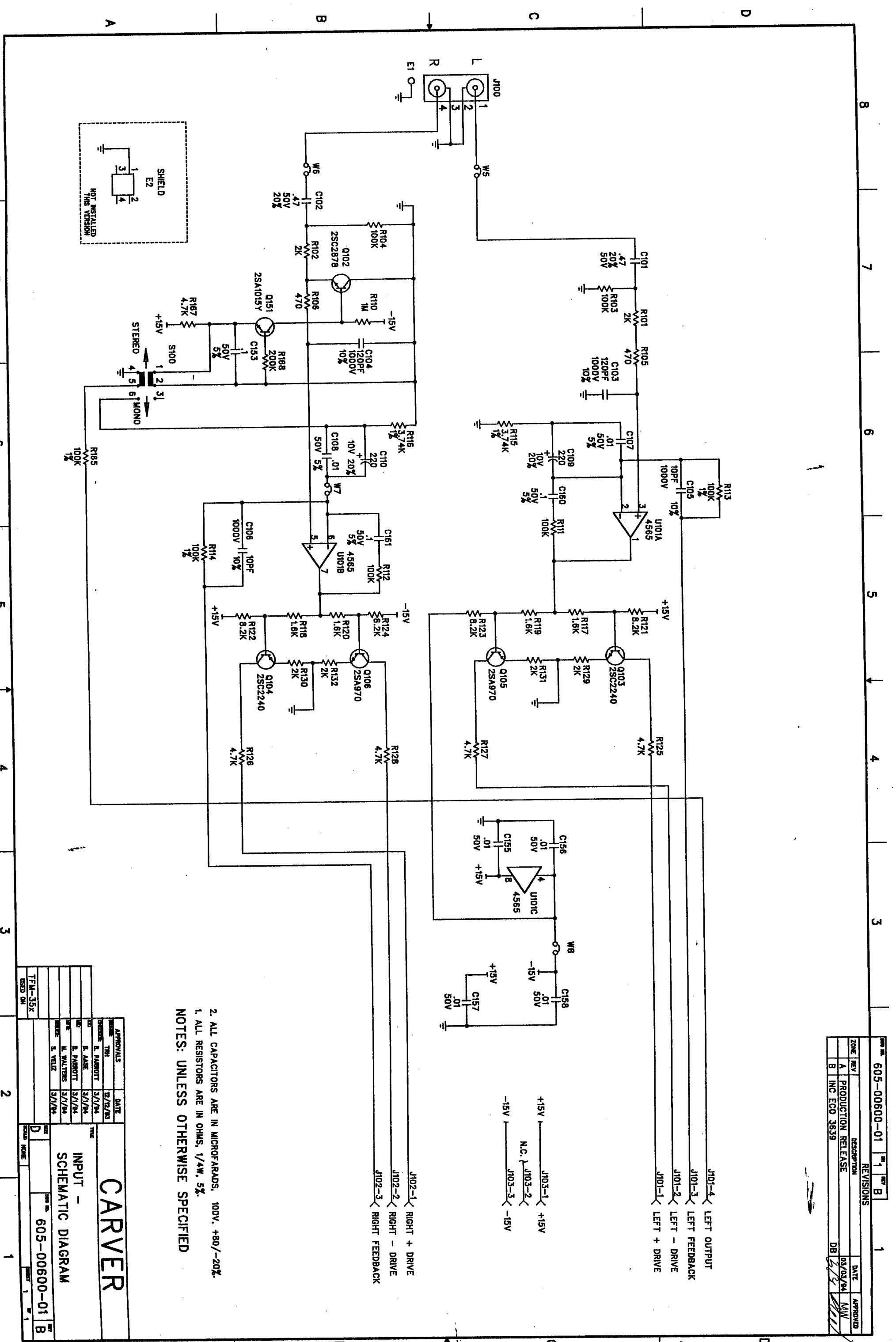
REVISED		DATE	BY
1	PRODUCTION RELEASE	2-15-11	BT
2	INC ECO 3004		



- SOLDER PADS NOT REQUIRED.
 - SQUARE PAD INDICATES P/N NO. ONE.
 - MARK APPROPRIATE DASH NO. KEY AND SERIAL NO. USING CONTRASTING NON-CONDUCTIVE INK IN .001 MIN HIGH CHARACTERS.
 - ASSEMBLE PER CARVER WORKMANSHIP STANDARDS WFO000.
 - SEE 605-00592-01 FOR SCHEMATIC DIAGRAM.
 - SEE SEPARATE PARTS LIST.
- NOTES: UNLESS OTHERWISE SPECIFIED.

APPROVALS		DATE
DESIGNED BY	DATE	
DRAWN BY	DATE	
CHECKED BY	DATE	
TESTED BY	DATE	
INSPECTED BY	DATE	
DATE		
DO NOT SCALE DIMENSIONS		

CARVER
CIRCUIT CARD ASSEMBLY -
DISPLAY
 602-00592-01



REV. NO.		605-00600-01		REV. 1	REV. B	1	
ZONE		REV.		DESCRIPTION		DATE	APPROVED
A		A		PRODUCTION RELEASE		03/03/84	MW
B		B		INC. ECO 3639		DBI	

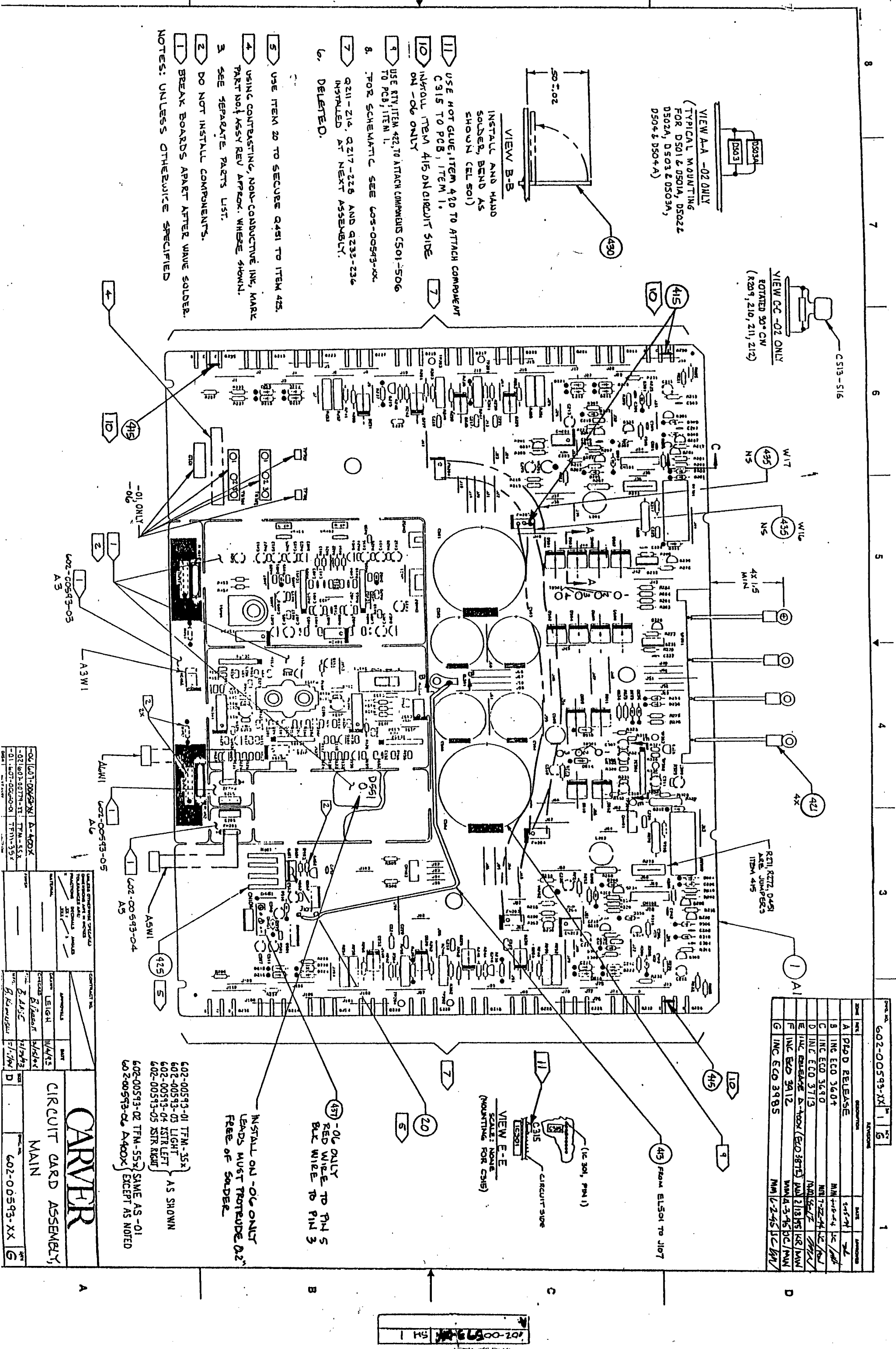
2. ALL CAPACITORS ARE IN MICROFARADS, 100V, +80/-20%.
 1. ALL RESISTORS ARE IN OHMS, 1/4W, 5%.
 NOTES: UNLESS OTHERWISE SPECIFIED

CARVER

INPUT - SCHEMATIC DIAGRAM

APPROVALS		DATE
DESIGNED BY	L. PARROTT	12/12/83
CHECKED BY	E. AASE	3/1/84
DATE	L. PARROTT	3/1/84
DATE	M. WALTERS	3/1/84
DATE	S. VEIZ	3/1/84

REV. NO.	DESCRIPTION	DATE	APPROVED
D	FORM 605-00600-01 B		



REF. NO.	QTY	DESCRIPTION	DATE	REVISION
602-00593-XX	1	6		1
A	1	PCB RELEASE	1/85	1
B	1	INC ECO 3604	MM 1-18-84	1C / #/ #
C	1	INC ECO 3690	MM 7-22-84	1C / #/ #
D	1	INC ECO 3713	MM 5-27	1C / #/ #
E	1	INC RELEASE A-700X (ECO 3875) AND 31815	MM 4-3-85	KR / MW
F	1	INC ECO 3912	MM 4-3-85	DC / MM
G	1	INC ECO 3985	MM 6-2-85	1C / BW

602-00593-01 TFM-35X	AS SHOWN
602-00593-03 LIGHT	AS SHOWN
602-00593-04 1STR LEFT	AS SHOWN
602-00593-05 1STR RIGHT	AS SHOWN
602-00593-02 TFM-55X	SAME AS -01 EXCEPT AS NOTED
602-00593-06 A400X	SAME AS -01 EXCEPT AS NOTED

DATE	BY	APPROVED	CONTRACT NO.
1/85	W/493		
1/85	W/493		
1/85	W/493		
1/85	W/493		

CARVER
CIRCUIT CARD ASSEMBLY,
MAIN

602-00593-XX
G

602-00593-05	AS
602-00593-04	AS
602-00593-03	AS
602-00593-02	AS
602-00593-01	AS

602-00593-XX
1

602-00593-XX
1

602-00593-XX
1

602-00593-XX
1

602-00593-XX
1

602-00593-XX
1

602-00593-XX
1

602-00593-XX
1

602-00593-XX
1

602-00593-XX
1

602-00593-XX
1

602-00593-XX
1

602-00593-XX
1

602-00593-XX
1

602-00593-XX
1

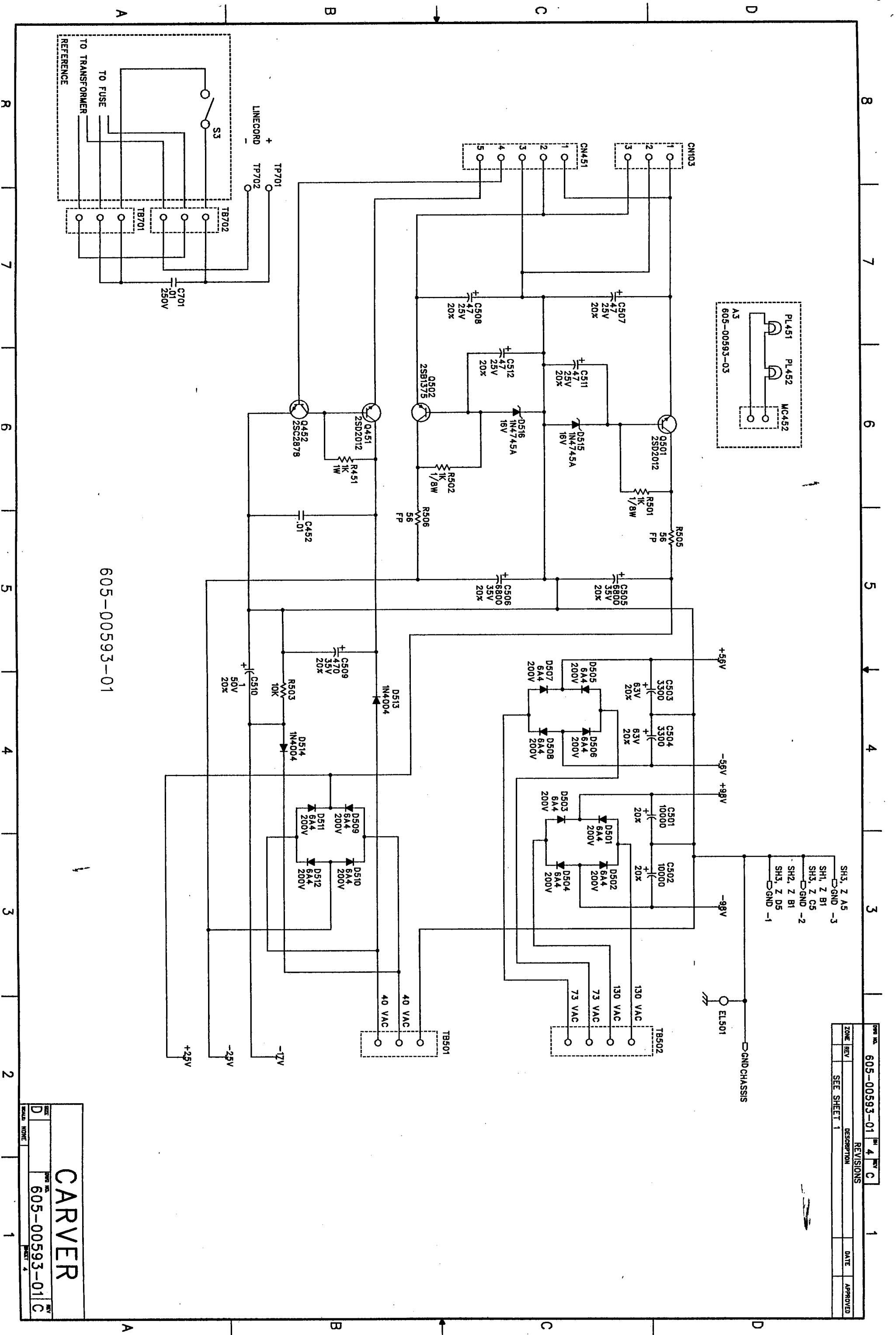
602-00593-XX
1

602-00593-XX
1

602-00593-XX
1

602-00593-XX
1

602-00593-XX
1



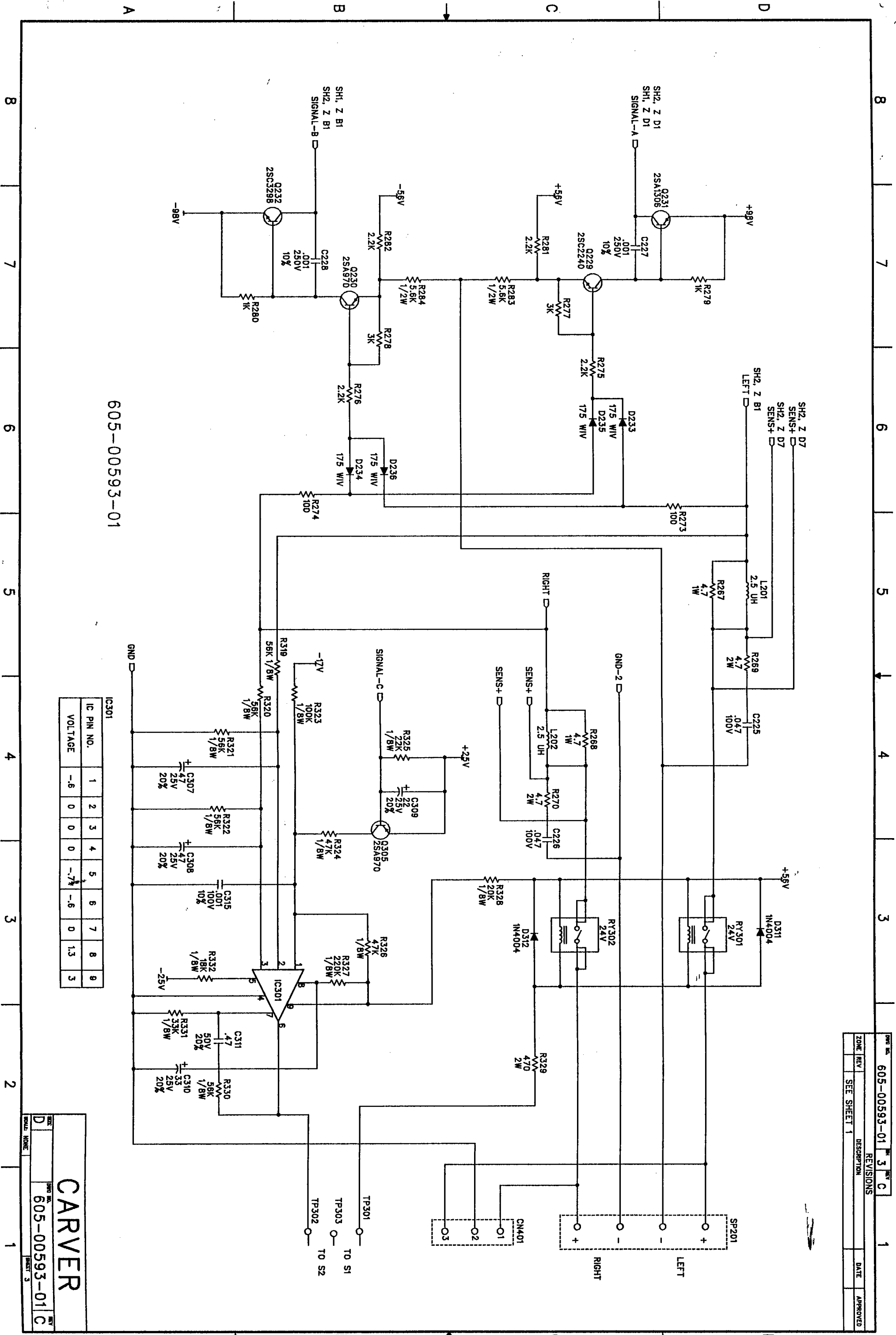
605-00593-01

FORM NO.	605-00593-01	REV	4	C
REVISIONS				
ZONE	REV	DESCRIPTION	DATE	APPROVED
	1	SEE SHEET 1		

- SH3, Z A5
- GND -3
- SH1, Z B1
- SH3, Z C5
- GND -2
- SH2, Z B1
- SH3, Z D5
- GND -1

CARVER

605-00593-01



605-00593-01

IC301

IC PIN NO.	1	2	3	4	5	6	7	8	9
VOLTAGE	-6	0	0	0	-7.5	-6	0	1.3	3

CARVER

REV. NO. 605-00593-01 C

DATE APPROVED

REVISIONS

ZONE NEW SEE SHEET 1

DESCRIPTION

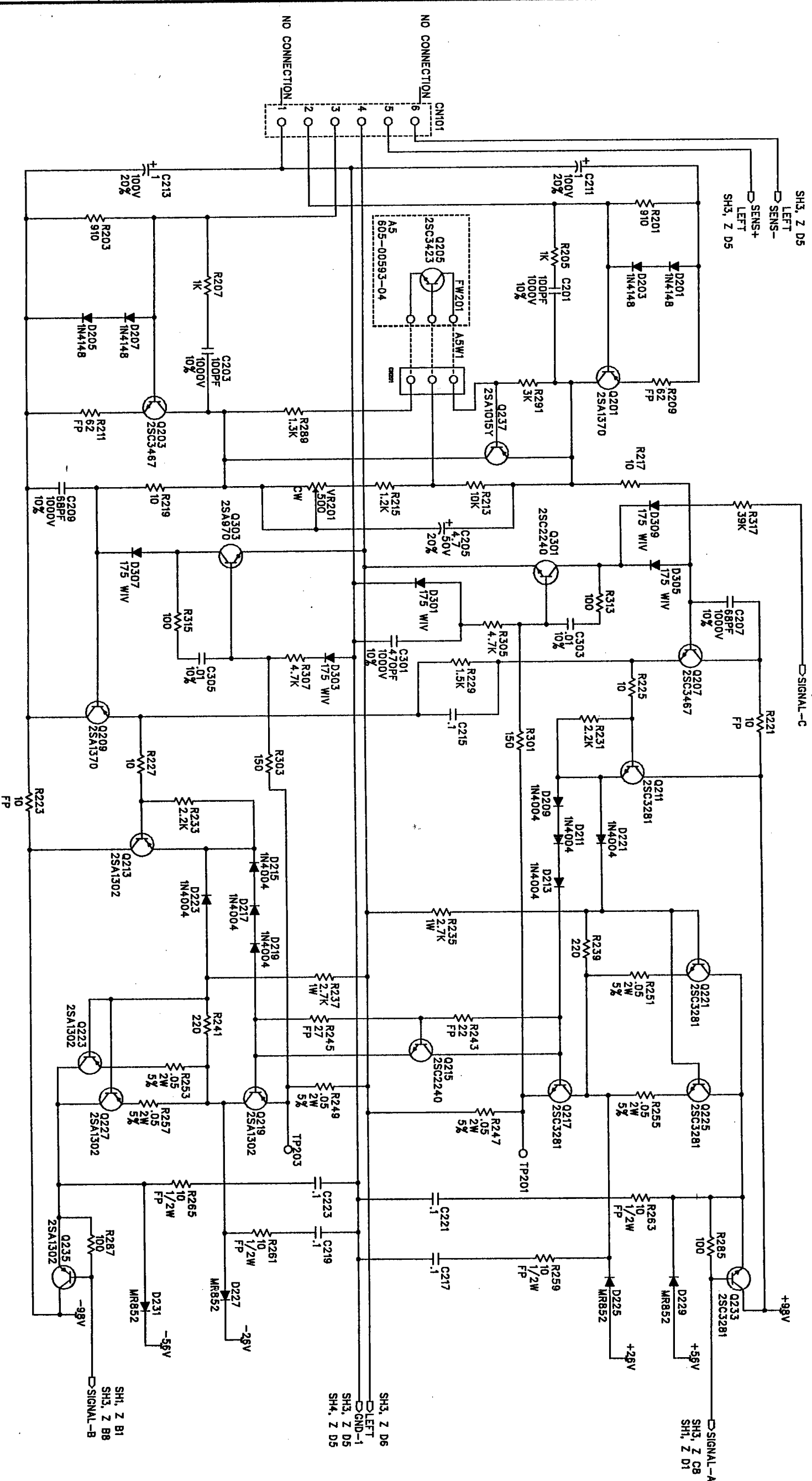
REV. NO. 605-00593-01 3 C

1

8 7 6 5 4 3 2 1

A B C D

FORM NO.	605-00593-01	REV	2	REV	C
REVISIONS		DESCRIPTION	DATE	APPROVED	
ZONE	REV	REV	REV	REV	REV



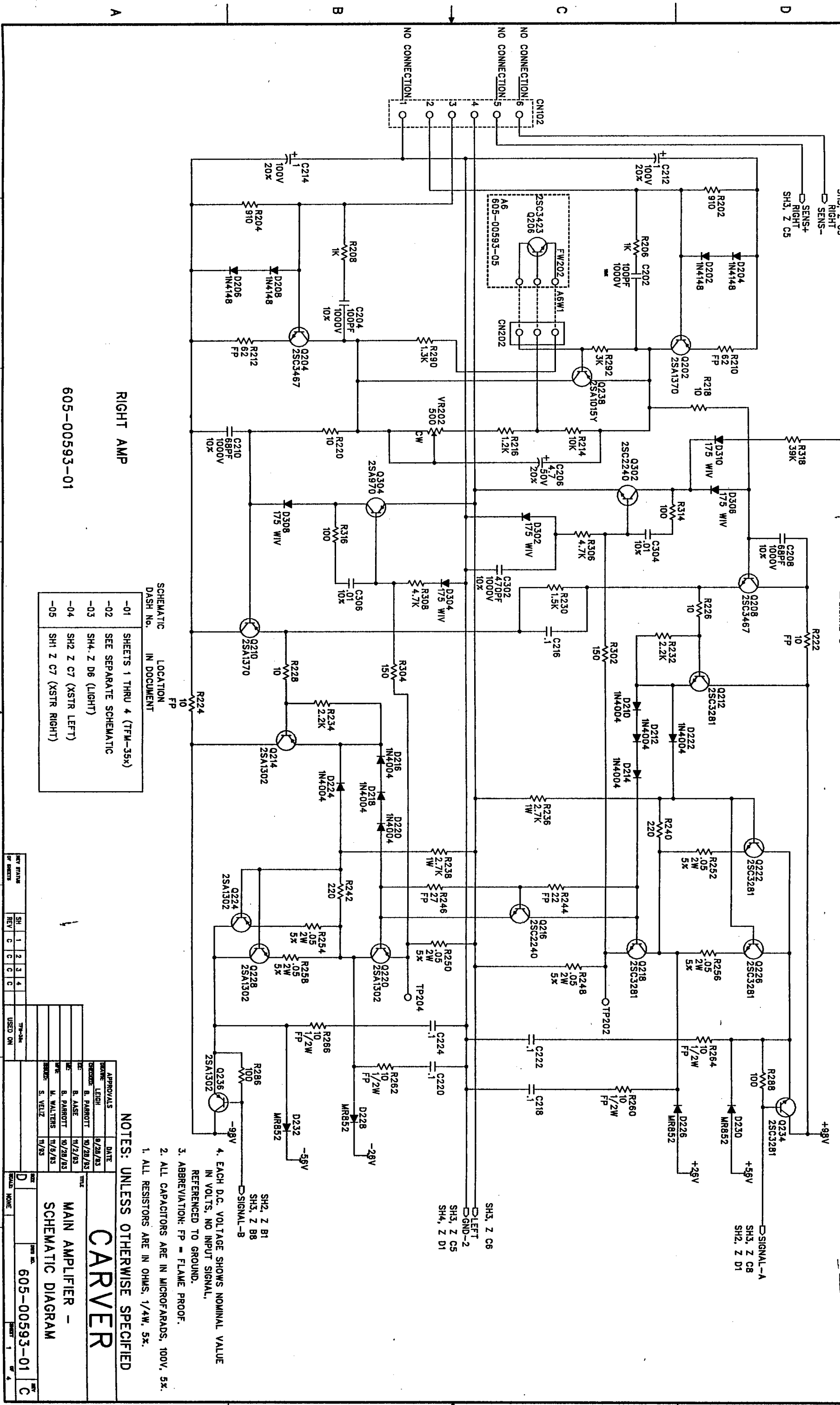
LEFT AMP

605-00593-01

CARVER

FORM NO. 605-00593-01 REV C

REV. NO.		REV. 1		REV. C	
ZONE	REV.	DESCRIPTION	DATE	APPROVED	BY
A		PRODUCTION RELEASE	2/15/84	LM	
B		INC ECO 3880	8/3/84	LM	
C		INC ECO 3715 AND 3730	8/17	LM	



RIGHT AMP

605-00593-01

DASH No.	SCHEMATIC LOCATION IN DOCUMENT
-01	SHEETS 1 THRU 4 (TFM-35*)
-02	SEE SEPARATE SCHEMATIC
-03	SH4-Z D6 (LIGHT)
-04	SH2 Z C7 (XSTR LEFT)
-05	SH1 Z C7 (XSTR RIGHT)

NOTES: UNLESS OTHERWISE SPECIFIED

CARVER

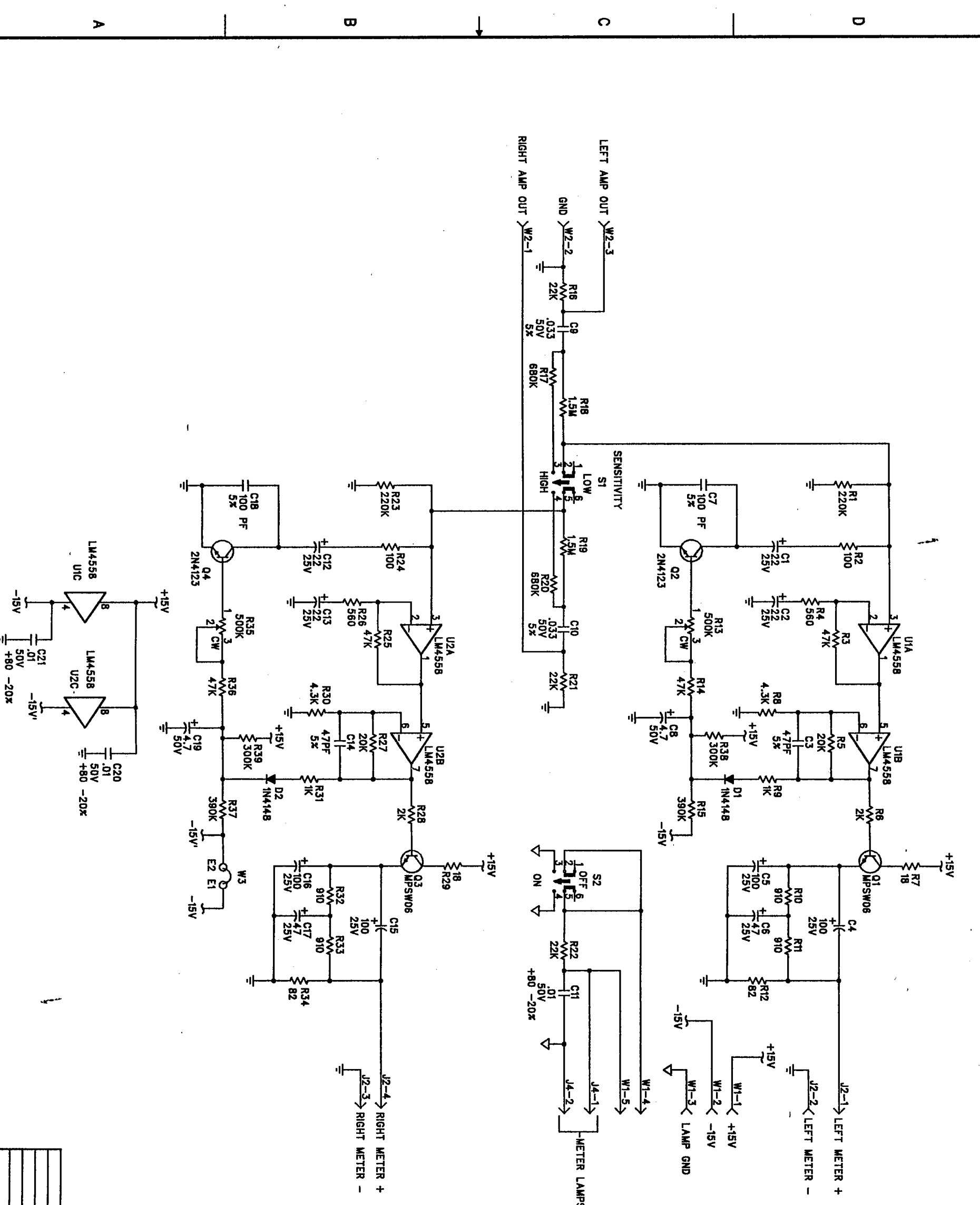
MAIN AMPLIFIER -
SCHEMATIC DIAGRAM

1. ALL RESISTORS ARE IN OHMS, 1/4W, 5%.
2. ALL CAPACITORS ARE IN MICROFARADS, 100V, 5%.
3. ABBREVIATION: FP = FLAME PROOF.
4. EACH D.C. VOLTAGE SHOWS NOMINAL VALUE IN VOLTS, NO INPUT SIGNAL, REFERENCED TO GROUND.

APPROVALS	DATE
DESIGNED: B. PARROTT	9/28/83
CHECKED: LEIGH	9/28/83
DATE: B. AASE	11/2/83
DATE: B. PARROTT	10/28/83
DATE: M. WALTERS	11/8/83
DATE: S. VELIZ	11/8/83

REV. STATUS	SH	1	2	3	4
BY REV	C	C	C	C	C
USED ON					

8 7 6 5 4 3



REV	DATE	APPROVED
1	2/15/94	MR
2		

ZONE	REV	DESCRIPTION	DATE	APPROVED
A		PRODUCTION RELEASE	2/15/94	MR
B		INC. ECO 3754		MEH

1. ALL RESISTORS ARE IN OHMS, 1/4W, 5%.
 2. ALL CAPACITORS ARE IN MICROFARADS, +/-20%, 100V.
- NOTES: UNLESS OTHERWISE SPECIFIED.

CARVER

DISPLAY - SCHEMATIC DIAGRAM

APPROVALS	DATE
DESIGNER: H. HOLLAND	10/28/83
ENGINEER: B. CALDWELL	10/28/83
TESTER: B. JARRE	10/28/83
PROD. MGR: B. PARROTT	10/28/83
QA: B. KUMBERSKI	
ASSEMBLY: S. VEJZL	

REV	DATE	DESCRIPTION
D		USED ON

MFG,RE,210,2 Carver Corporation
14-DEC-1995 15:07

PLANT CODE: CARVER

REQUESTER: ALVAREZ
PAGE NO: 1

BILL OF MATERIALS REPORT

=====

SORTED BY ASSEMBLY PART NUMBER, COMPONENT PART NUMBER
AS OF 12/14/95

CLASS CODE: 5
SUB-ASSEMBLIES
PART: 607-00640-03
DESC: AMP ASSY - TFM-35X 120V CONV UOM: EA SC: X REV: N

COMPONENT PART/ REFERENCE INFO	DESCRIPTION	ITEM RV NUMBR	ST UM	QTY PER ASSEMBLY	YIELD FACTR	OPER SEQ	-OFFSET FIXED	LD VARIABLE	TIME-- DATE	EFFECTIV DATE	INACTIVE DATE
101-30001-00	FOOT, RUBBER ROUND .63W X .31H	A	2 M	EA	2.00	1.00	0	0	0.00	05/18/94	99/99/99
105-30007-01	FOOT, 1.96 DIA X .64 HIGH	A	1 P	EA	4.00	1.00	0	0	0.00	07/18/94	99/99/99
105-40014-00	FUSEHOLDER PANEL MNT 120-230V	A	5 P	EA	1.00	1.00	0	0	0.00	00/00/00	99/99/99
105-50000-00	FUSE CARRIER 120V	A	10 P	EA	1.00	1.00	0	0	0.00	00/00/00	99/99/99
106-30011-01	GROMMET, #8 ROUND HOLE	A	15 P	EA	2.00	1.00	0	0	0.00	01/17/94	99/99/99
HEATSINK MOUNTING 112-20001-00	MOUNT TYRAP WHT	A	12 P	EA	3.00	1.00	0	0	0.00	01/17/94	99/99/99
112-30008-01	METER, 500W SCALE	A	240 P	EA	2.00	1.00	0	0	0.00	08/01/95	99/99/99
115-30016-01	POST, BDG, DUAL SHORT RED/BLK	C	13 P	EA	2.00	1.00	0	0	0.00	00/00/00	99/99/99
J1,2 118-90007-00	STRN RE MCT.063 SJT 16/3&18/3	A	20 P	EA	1.00	1.00	0	0	0.00	00/00/00	99/99/99
LINECORD 151-20002-00	SCRW, MACH PP 4-40X3/8 BLK WAX	A	36 P	EA	5.00	1.00	0	0	0.00	02/15/94	99/99/99
MAIN CCA, MOUNTING 151-20104-00	SCREW MACH PP BLK 8-32X5/8	A	55 P	EA	4.00	1.00	0	0	0.00	05/18/94	99/99/99
HANDLE BRKT TO HANDLE 151-30001-00	SCREW SHT MTL PP BLK 4X1/4 "B"	A	35 P	EA	7.00	1.00	0	0	0.00	02/15/94	99/99/99
DISPLAY CCA (2), LIGHT CCA (2) METER BRKT (2), PWR SW BRKT (1) 151-30002-00	SCREW SHT MTL PP BLK 4X3/8 "A"	A	80 P	EA	2.00	1.00	0	0	0.00	00/00/00	99/99/99
JACKS 151-30005-01	SCREW SHT MTL PP BLK 4X3/16 B	A	85 P	EA	2.00	1.00	0	0	0.00	10/03/94	99/99/99
MONO SWITCH 151-30102-00	SCREW SHT MTL PP BLK 8X3/8 "A"	A	42 P	EA	4.00	1.00	0	0	0.00	07/18/94	99/99/99
151-30102-00	SCREW SHT MTL PP BLK 8X3/8 "A"	A	45 P	EA	2.00	1.00	0	0	0.00	02/15/94	99/99/99
HEATSINK 151-30106-00	SCREW SHT MTL PP BLK 8X3/4 "A"	A	46 P	EA	8.00	1.00	0	0	0.00	05/18/94	99/99/99
HANDLE BRKT TO FRT PNL, XFMR 151-30107-01	SCRW, SM PP SERR BLK 6X1/4 "B"	A	40 P	EA	23.00	1.00	0	0	0.00	05/19/95	99/99/99
BACK PNL (6), TOP COVER (6) HEATSINK MTG (4) FRT PNL ASSY MTG (7) 151-30168-03	SCRW PNH #4 SLFTPG W/WSHR 1/2"	A	75 P	EA	24.00	1.00	0	0	0.00	00/00/00	99/99/99
XISTOR 151-40260-01	SCRW METRIC MACH PP 3X6	B	50 P	EA	2.00	1.00	0	0	0.00	00/00/00	99/99/99
PWR SW 152-20003-01	U-TYPE CLIP #8 SHT MTL	A	95 P	EA	4.00	1.00	0	0	0.00	05/18/94	99/99/99
XFMR 154-30002-00	WASHER, SPLIT LOCK BLK. #8	A	105 P	EA	8.00	1.00	0	0	0.00	09/15/94	99/99/99
HANDLE, TRANSFORMER BRKT 154-40008-01	WASHER, SHOULDER NYLON, #4	A	102 P	EA	4.00	1.00	0	0	0.00	06/19/95	99/99/99
Q233,234,235,236 159-50002-00	TYRAP 4"L WHT	A	115 P	EA	8.00	1.00	0	0	0.00	05/18/94	99/99/99
159-70003-02	CLAMP, CABLE KURLY-LOK .5	A	116 P	EA	1.00	1.00	0	0	0.00	01/17/94	99/99/99
CLAMP 160-20014-00	CONNECTOR, SPLICE NYLON INSUL	A	118 P	EA	1.00	1.00	0	0	0.00	01/17/94	99/99/99
SPLICE XFMR WIRES 160-20500-07	FAST NYL 16-14AWG BLU .250	C	119 P	EA	2.00	1.00	0	0	0.00	00/00/00	99/99/99
(LINECORD) 315-13006-00	FUSE, MDA 10	A	120 P	EA	1.00	1.00	0	0	0.00	00/00/00	99/99/99
F1 318-10028-01	SWITCH POWER SPST	B	125 P	EA	1.00	1.00	0	0	0.00	00/00/00	08/01/96
S3 318-50004-00	SWITCH, THERMAL U1210005310A	C	130 P	EA	2.00	1.00	0	0	0.00	00/00/00	99/99/99
S1,2 321-30013-00	XSTR TO3P(L) NPN PWR 2SC3281-0	B	135 P	EA	8.00	1.00	0	0	0.00	06/19/95	99/99/99
Q211,212,217,218,221,222,225, Q226											

MFG,RE,210,2 Carver Corporation
14-DEC-1995 15:07

PLANT CODE: CARVER

REQUESTER: ALVAREZ
PAGE NO: 2

BILL OF MATERIALS REPORT

SORTED BY ASSEMBLY PART NUMBER, COMPONENT PART NUMBER
AS OF 12/14/95

CLASS CODE: 5
SUB-ASSEMBLIES
PART: 607-00640-03
DESC: AMP ASSY - TFM-35X 120V CONV UOM: EA SC: X REV: N

COMPONENT PART/ REFERENCE INFO	DESCRIPTION	ITEM RV	ST NUMBR	QTY SC	PER UM	YIELD ASSEMBLY	OPER FACTR	SEQ	-OFFSET FIXED	LD VARIABLE	TIME-- DATE	EFFECTIV DATE	INACTIVE DATE
321-30014-00 Q213,214,219,220,223,224,227, Q228	XSTR T03P(L) PNP PWR 2SA1302-0 B	140	P	EA		8.00	1.00	0	0	0.00	06/19/95	99/99/99	
321-80006-01 Q233, 234	XISTOR CASE 3400-01 NPN TIP35C C	142	P	EA		2.00	1.00	0	0	0.00	06/19/95	99/99/99	
321-80007-01 Q235, 236	XISTOR CASE 3400-01 PNP TIP36C D	143	P	EA		2.00	1.00	0	0	0.00	06/19/95	99/99/99	
401-10204-00 W1	WIRE 18 AWG TEW ORANGE 9"	A	150	P	EA	1.00	1.00	0	0	0.00	00/00/00	99/99/99	
401-10222-00 W2	WIRE 18 AWG TEW RED 9"	A	146	P	EA	1.00	1.00	0	0	0.00	00/00/00	99/99/99	
401-10225-00 W3,6	WIRE 18 AWG TEW BLUE 5.25"	A	145	P	EA	2.00	1.00	0	0	0.00	00/00/00	99/99/99	
401-90023-01 P1	LC, RND 16/2 PLZD-CSA/UL APRD A	160	P	EA		1.00	1.00	0	0	0.00	00/00/00	99/99/99	
402-10007-00 FUSEHOLDER	TUBING HTSHRK DUAL WALL 1/2"	A	165	P	FT	0.09	1.00	0	0	0.00	02/15/94	99/99/99	
403-00002-00 APPLY TO ITEM 95 AND 46	COLORED ENAMEL W&W #452	-	167	E	EA	0.00	1.00	0	0	0.00	09/15/94	99/99/99	
403-10020-00	LOCTITE #222	A	170	E	EA	0.00	1.00	0	0	0.00	03/02/95	99/99/99	
403-40016-00 METER BRKT	GASKET, FOAM .25THKX.830W (LS) -	-	175	E	EA	0.00	1.00	0	0	0.00	01/17/94	99/99/99	
502-20105-01	CHASSIS, TFM-35X	E	185	B	EA	1.00	1.00	0	0	0.00	00/00/00	99/99/99	
503-20117-01	PANEL, REAR - TFM-35X	D	191	B	EA	1.00	1.00	0	0	0.00	01/17/94	99/99/99	
503-20118-01	BEZEL, POWER SWITCH	A	192	B	EA	1.00	1.00	0	0	0.00	01/17/94	99/99/99	
503-20134-01	BEZEL, METER	B	205	B	EA	2.00	1.00	0	0	0.00	08/01/95	99/99/99	
503-20135-01	PANEL, FRONT, TFM-35X	D	190	B	EA	1.00	1.00	0	0	0.00	08/01/95	99/99/99	
504-20113-01	COVER - TFM-35X	A	195	B	EA	1.00	1.00	0	0	0.00	00/00/00	99/99/99	
507-00050-00 (S1,2)	BRACKET THERMAL SW UNIVERSAL	C	200	B	EA	2.00	1.00	0	0	0.00	00/00/00	99/99/99	
507-20075-01	BRACKET, HANDLE	B	220	B	EA	2.00	1.00	0	0	0.00	00/00/00	99/99/99	
507-20076-01	BRACKET, POWER SWITCH	A	225	B	EA	1.00	1.00	0	0	0.00	00/00/00	99/99/99	
507-20119-01	BRACKET, METER	B	210	B	EA	1.00	1.00	0	0	0.00	08/01/95	99/99/99	
508-20038-01	KNOB, DISPLAY BOARD	A	280	P	EA	2.00	1.00	0	0	0.00	00/00/00	99/99/99	
508-20039-01 (S3)	KNOB, POWER SWITCH	A	275	P	EA	1.00	1.00	0	0	0.00	00/00/00	99/99/99	
509-20008-01	FERRULE, .25 DIA, BLACK	B	250	P	EA	4.00	1.00	0	0	0.00	00/00/00	99/99/99	
510-20013-01	HANDLE 2.75 X .25 DIA 8-32 BLK B	B	255	P	EA	2.00	1.00	0	0	0.00	00/00/00	99/99/99	
511-20043-01	HEATSINK - TFM-35X	C	230	B	EA	2.00	1.00	0	0	0.00	00/00/00	99/99/99	
512-10654-01	INSULATOR, 10 POSITION	A	235	B	EA	2.00	1.00	0	0	0.00	06/19/95	99/99/99	
530-20029-00	LABEL, CITY OF LA APPROVED		242	P	EA	1.00	1.00	0	0	0.00	10/15/94	99/99/99	
530-20100-00 ONE ON BACK OF CHAS, ONE ON INSIDE OF CHAS, ONE ADJACENT TO ITEM 242	STICKER, SERIAL # BLANKS	A	245	E	RL	0.00	1.00	0	0	0.00	10/15/94	99/99/99	
550-00039-01 W18	CABLE ASSY - 4 PIN #24 TR64	B	290	B	EA	1.00	1.00	0	0	0.00	00/00/00	99/99/99	
602-00592-01 A2	CCA, DISPLAY	C	265	X	EA	1.00	1.00	0	0	0.00	00/00/00	99/99/99	

MFG,RE,210,2 Carver Corporation
14-DEC-1995 15:07

PLANT CODE: CARVER

REQUESTER: ALVAREZ
PAGE NO: 3

BILL OF MATERIALS REPORT

=====

SORTED BY ASSEMBLY PART NUMBER, COMPONENT PART NUMBER
AS OF 12/14/95

CLASS CODE: 5
SUB-ASSEMBLIES
PART: 607-00640-03
DESC: AMP ASSY - TFM-35X 120V CONV UOM: EA SC: X REV: N

COMPONENT PART/ REFERENCE INFO	DESCRIPTION	ITEM RV NUMBR	ST SC	QTY PER UM ASSEMBLY	YIELD FACTR	OPER SEQ	-OFFSET FIXED	LD TIME-- VARIABLE	EFFECTIV DATE	INACTIVE DATE
602-00593-01 A1	CCA, MAIN - TFM-35X	M	260 X	EA	1.00	1.00	0	0	0.00	00/00/00 99/99/99
602-00593-03 A3	CCA, LIGHT	B	262 X	EA	1.00	1.00	0	0	0.00	00/00/00 99/99/99
602-00593-04 A5	CCA, XSTR LEFT	A	263 X	EA	1.00	1.00	0	0	0.00	00/00/00 99/99/99
602-00593-05 A6	CCA, XSTR RIGHT	A	264 X	EA	1.00	1.00	0	0	0.00	00/00/00 99/99/99
602-00600-01 A4	CCA, INPUT - TFM-35X	D	261 X	EA	1.00	1.00	0	0	0.00	01/17/94 99/99/99
617-10114-01 T1	TRANSFORMER, PMR AMP, 500W	E	285 B	EA	1.00	1.00	0	0	0.00	00/00/00 99/99/99

MFG,RE,210,2 Carver Corporation
14-DEC-1995 15:07

PLANT CODE: CARVER

REQUESTER: ALVAREZ
PAGE NO: 1

BILL OF MATERIALS REPORT

SORTED BY ASSEMBLY PART NUMBER, COMPONENT PART NUMBER
AS OF 12/14/95

CLASS CODE: 5
SUB-ASSEMBLIES
PART: 602-00592-01
DESC: CCA, DISPLAY

UOM: EA SC: X REV: C

COMPONENT PART/ REFERENCE INFO	DESCRIPTION	ITEM RV	QTY NUMBR	PER SC	YIELD UM	OPER ASSEMBLY	-OFFSET FIXED	LD VARIABLE	TIME-- DATE	EFFECTIV DATE	INACTIVE DATE	
160-20025-04 J2	HEADER, 4 PIN, .098 CENTER	A	10	P	EA	1.00	1.00	0	0	0.00	00/00/00	99/99/99
201-00088-00 C3,14	CAP CER DISC 47 PF 100V 5% GP	A	15	P	EA	2.00	1.00	0	0	0.00	00/00/00	99/99/99
201-00092-00 C7,18	CAP CER DISC 100 PF 100V 5% GP	A	20	P	EA	2.00	1.00	0	0	0.00	00/00/00	99/99/99
201-00127-02 C11,20,21	CAP CR DSK .01UF 50V +80-20 .2	B	25	P	EA	3.00	1.00	0	0	0.00	00/00/00	99/99/99
204-00140-00 C9,10	CAP MTL FLM .033 UF 50V 5%	B	30	P	EA	2.00	1.00	0	0	0.00	01/27/94	99/99/99
205-00006-02 C8,19	CAP LYTIC 4.7UF 50V 20% RAD .2	B	35	P	EA	2.00	1.00	0	0	0.00	00/00/00	99/99/99
205-00011-02 C1,2,12,13	CAP LYTIC 22 UF 25V 20% RAD .2	D	40	P	EA	4.00	1.00	0	0	0.00	00/00/00	99/99/99
205-00013-02 C6,17	CAP LYTIC 47 UF 25V 20% RAD .2	B	45	P	EA	2.00	1.00	0	0	0.00	00/00/00	99/99/99
205-00016-02 C4,5,15,16	CAP LYTIC 100UF 25V 20% RAD .2	B	50	P	EA	4.00	1.00	0	0	0.00	00/00/00	99/99/99
259-10062-11 R13,35	POT, 500K LAYDOWN PCB MOUNT	A	55	P	EA	2.00	1.00	0	0	0.00	01/27/94	99/99/99
260-50101-040 R2,24	RES, CF 5% 100 OHM 1/4W .5	A	60	P	EA	2.00	1.00	0	0	0.00	00/00/00	99/99/99
260-50102-040 R9,31	RES, CF 5% 1K 1/4W .5	A	65	P	EA	2.00	1.00	0	0	0.00	00/00/00	99/99/99
260-50155-040 R18,19	RES, CF 5% 1.5M 1/4W .5	A	70	P	EA	2.00	1.00	0	0	0.00	00/00/00	99/99/99
260-50180-040 R7,29	RES, CF 5% 18 OHM 1/4W .5	A	75	P	EA	2.00	1.00	0	0	0.00	00/00/00	99/99/99
260-50202-040 R6,28	RES, CF 5% 2K 1/4W .5	A	80	P	EA	2.00	1.00	0	0	0.00	00/00/00	99/99/99
260-50203-040 R5,27	RES, CF 5% 20K 1/4W .5	A	85	P	EA	2.00	1.00	0	0	0.00	00/00/00	99/99/99
260-50223-040 R16,21,22	RES, CF 5% 22K 1/4W .5	A	90	P	EA	3.00	1.00	0	0	0.00	00/00/00	99/99/99
260-50224-040 R1,23	RES, CF 5% 220K 1/4W .5	A	95	P	EA	2.00	1.00	0	0	0.00	00/00/00	99/99/99
260-50304-040 R38,39	RES, CF 5% 300K 1/4W .5	A	97	P	EA	2.00	1.00	0	0	0.00	09/15/94	99/99/99
260-50394-040 R15,37	RES, CF 5% 390K 1/4W .5	A	105	P	EA	2.00	1.00	0	0	0.00	00/00/00	99/99/99
260-50432-040 R8,30	RES, CF 5% 4.3K 1/4W .5	A	110	P	EA	2.00	1.00	0	0	0.00	00/00/00	99/99/99
260-50473-040 R3,14,25,36	RES, CF 5% 47K 1/4W .5	A	115	P	EA	4.00	1.00	0	0	0.00	11/30/93	99/99/99
260-50561-040 R4,26	RES, CF 5% 560 OHM 1/4W .5	A	120	P	EA	2.00	1.00	0	0	0.00	00/00/00	99/99/99
260-50684-040 R17,20	RES, CF 5% 680K 1/4W .5	A	125	P	EA	2.00	1.00	0	0	0.00	00/00/00	99/99/99
260-50820-040 R12,34	RES, CF 5% 82 OHM 1/4W .5	A	130	P	EA	2.00	1.00	0	0	0.00	00/00/00	99/99/99
260-50911-040 R10,11,32,33	RES, CF 5% 910 OHM 1/4W .5	A	135	P	EA	4.00	1.00	0	0	0.00	00/00/00	99/99/99
318-10029-01 S1,2	SWITCH, PUSHBUTTON, STR, DPDT	B	140	P	EA	2.00	1.00	0	0	0.00	00/00/00	99/99/99
320-20001-00 D1,2	DIODE, 1N4148 75V .4	C	145	P	EA	2.00	1.00	0	0	0.00	00/00/00	99/99/99
321-10000-00 Q1,3	XISTOR 152 NPN SM SG MPSW06	A	150	P	EA	2.00	1.00	0	0	0.00	00/00/00	99/99/99
321-40010-00 Q2,4	XISTOR TO92 NPN SM SG 2N4123	A	160	P	EA	2.00	1.00	0	0	0.00	00/00/00	99/99/99
330-30028-01 U1,2	IC, DUAL OP AMP 4558 8 PIN SIP	A	165	P	EA	2.00	1.00	0	0	0.00	00/00/00	99/99/99
401-30002-00 W3	JUMPER INSUL .3"x.25x.25 #22	-	167	P	EA	1.00	1.00	0	0	0.00	11/30/93	99/99/99
501-00592-01	PCB, DISPLAY	C	1	B	EA	1.00	1.00	0	0	0.00	00/00/00	99/99/99

MFG,RE,210,2 Carver Corporation
 14-DEC-1995 15:07

PLANT CODE: CARVER

REQUESTER: ALVAREZ
 PAGE NO: 2

BILL OF MATERIALS REPORT

=====

SORTED BY ASSEMBLY PART NUMBER, COMPONENT PART NUMBER
 AS OF 12/14/95

CLASS CODE: 5
 SUB-ASSEMBLIES
 PART: 602-00592-01
 DESC: CCA, DISPLAY

UOM: EA SC: X REV: C

COMPONENT PART/ REFERENCE INFO	DESCRIPTION	ITEM			ST QTY PER UM ASSEMBLY	YIELD OPER FACTR SEQ	-OFFSET LD TIME--		EFFECTIV DATE	INACTIVE DATE
		RV NUMBR	SC	EA			FIXED	VARIABLE		
550-00036-01 W2	CABLE ASSY-3PIN #24 TR64 13.0"	B	170	B EA	1.00	1.00	0	0	0.00	00/00/00 99/99/99
550-00037-01 W1	CABLE ASSY-5PIN #24 TR64 7.0"	B	175	B EA	1.00	1.00	0	0	0.00	00/00/00 99/99/99
550-00038-01 J4	CABLE ASSY-2 PIN #24 TR64 8.5"	B	5	B EA	1.00	1.00	0	0	0.00	04/15/94 99/99/99

MFG,RE,210,2 Carver Corporation
14-DEC-1995 15:07

PLANT CODE: CARVER

REQUESTER: ALVAREZ
PAGE NO: 1

BILL OF MATERIALS REPORT

=====

SORTED BY ASSEMBLY PART NUMBER, COMPONENT PART NUMBER
AS OF 12/14/95

CLASS CODE: 5
SUB-ASSEMBLIES
PART: 602-00593-01
DESC: CCA, MAIN - TFM-35X

UOM: EA SC: X REV: M

COMPONENT PART/ REFERENCE INFO	DESCRIPTION	ITEM RV	ST NUMBR	QTY PER SC	UM	YIELD FACTR	OPER SEQ	-OFFSET FIXED	LD TIME-- VARIABLE	EFFECTIV DATE	INACTIVE DATE
115-60002-01 TP701,702	TAB, PCB, .250	A	5	P	EA	2.00	1.00	0	0	0.00	05/09/94 99/99/99
119-20035-01 TP201,202,203,204,301,302,303 TB501 (3), TB502 (4) TB701 (3), TB702 (3)	TEST POINT	A	10	P	EA	20.00	1.00	0	0	0.00	05/02/94 99/99/99
151-30002-00 Q451 TO H451	SCREW SHT MTL PP BLK 4X3/8 "A"	A	20	P	EA	1.00	1.00	0	0	0.00	08/18/94 99/99/99
160-20009-00 CN103,201,202,401	CONNECTOR 3 PIN B-TONE CN401	A	25	P	EA	4.00	1.00	0	0	0.00	00/00/00 99/99/99
160-20011-00 CN451	CONNECTOR 5 PIN B-TONE CN451	A	30	P	EA	1.00	1.00	0	0	0.00	00/00/00 99/99/99
160-30045-06 CN101,102	CONN, HDR, 6 PIN .100 SHROUDED	B	40	P	EA	2.00	1.00	0	0	0.00	00/00/00 99/99/99
201-00009-00 C207,208,209,210	CAP CER DISC 68 PF 1000V 10%	B	45	P	EA	4.00	1.00	0	0	0.00	00/00/00 99/99/99
201-00012-00 C201,202,203,204	CAP CER DISC 100 PF 1000V 10%	B	50	P	EA	4.00	1.00	0	0	0.00	00/00/00 99/99/99
201-00023-00 C301,302	CAP CER DISC 470 PF 1000V 10%	B	55	P	EA	2.00	1.00	0	0	0.00	08/18/94 99/99/99
201-00035-00 C701	CAP, CER .01UF 250VAC UL/CSA	B	60	P	EA	1.00	1.00	0	0	0.00	00/00/00 99/99/99
201-00061-00 C227,228	CAP CER DISC .001UF 250V 10%UL	B	65	P	EA	2.00	1.00	0	0	0.00	00/00/00 99/99/99
204-00003-00 C315	CAP PLYFLM .001 UF 100V 10% RD	A	70	P	EA	1.00	1.00	0	0	0.00	00/00/00 99/99/99
204-00015-00 C303,304,305,306,452	CAP PLYFLM .01 UF 100V 10% RAD	A	75	P	EA	5.00	1.00	0	0	0.00	00/00/00 99/99/99
204-00042-00 C215,216,217,218,219,220 C221,222,223,224	CAP PLYFLM .1 UF 100V 5% RAD	A	80	P	EA	10.00	1.00	0	0	0.00	00/00/00 99/99/99
204-00065-00 C225,226	CAP PLYFLM .047 UF 100V 5% RAD	A	85	P	EA	2.00	1.00	0	0	0.00	00/00/00 99/99/99
205-00001-02 C510	CAP LYTIC 1 UF 50V 20% RAD .2	B	90	P	EA	1.00	1.00	0	0	0.00	11/27/95 99/99/99
205-00006-02 C205,206	CAP LYTIC 4.7UF 50V 20% RAD .2	B	95	P	EA	2.00	1.00	0	0	0.00	11/14/95 99/99/99
205-00011-02 C309	CAP LYTIC 22 UF 25V 20% RAD .2	D	100	P	EA	1.00	1.00	0	0	0.00	07/18/94 99/99/99
205-00013-02 C307,308,507,508,511,512	CAP LYTIC 47 UF 25V 20% RAD .2	B	105	P	EA	6.00	1.00	0	0	0.00	11/27/95 99/99/99
205-00042-00 C509	CAP LYTIC 470 UF 35V 20% RAD	B	110	P	EA	1.00	1.00	0	0	0.00	00/00/00 99/99/99
205-00054-02 C211,212,213,214	CAP LYTIC 1 UF 100V 20% RAD .2	B	115	P	EA	4.00	1.00	0	0	0.00	11/27/95 99/99/99
205-00065-02 C311	CAP LYTIC .47UF 50V RAD .2LS	A	120	P	EA	1.00	1.00	0	0	0.00	11/27/95 99/99/99
205-00159-00 C310	CAP LYTIC 33 UF 25V 20% RAD	A	125	P	EA	1.00	1.00	0	0	0.00	00/00/00 99/99/99
205-00161-00 C501,502	CAP LYTIC 10,000 UF 100V SNAP	B	130	P	EA	2.00	1.00	0	0	0.00	00/00/00 99/99/99
205-00177-00 C505,506	CAP, LYTIC 6800 UF, 35V	A	135	P	EA	2.00	1.00	0	0	0.00	00/00/00 99/99/99
205-00178-00 C503,504	CAP, LYTIC 3300 UF, 63V	A	140	P	EA	2.00	1.00	0	0	0.00	00/00/00 99/99/99
259-30012-01 VR201,202	POT, 500 OHM 6MM ROUND	A	150	P	EA	2.00	1.00	0	0	0.00	00/00/00 99/99/99
260-50100-04A R217,218,219,220,225,226 R227,228	RES, CF 5% 10 OHM 1/4W	A	155	P	EA	8.00	1.00	0	0	0.00	00/00/00 99/99/99
260-50101-04A R273,274,285,286,287,288 R313,314,315,316	RES, CF 5% 100 OHM 1/4W	A	160	P	EA	10.00	1.00	0	0	0.00	00/00/00 99/99/99
260-50102-03A R501,502	RES, CF 5% 1K 1/8W	B	165	P	EA	2.00	1.00	0	0	0.00	00/00/00 99/99/99

MFG,RE,210,2 Carver Corporation
14-DEC-1995 15:07

BILL OF MATERIALS REPORT

PLANT CODE: CARVER

REQUESTER: ALVAREZ
PAGE NO: 2

=====

SORTED BY ASSEMBLY PART NUMBER, COMPONENT PART NUMBER
AS OF 12/14/95

CLASS CODE: 5
SUB-ASSEMBLIES
PART: 602-00593-01
DESC: CCA, MAIN - TFM-35X

UOM: EA SC: X REV: M

COMPONENT PART/ REFERENCE INFO	DESCRIPTION	ITEM RV	NUMBR	ST SC	QTY PER UM	PER ASSEMBLY	YIELD FACTR	OPER SEQ	-OFFSET FIXED	LD VARIABLE	TIME-- DATE	EFFECTIV DATE	INACTIVE DATE
260-50102-04A R205,206,207,208,279,280	RES, CF 5% 1K 1/4W	A	170	P	EA	6.00	1.00	0	0	0.00	00/00/00	99/99/99	
260-50102-07A R451	RES, CF 5% 1K 1W	B	175	P	EA	1.00	1.00	0	0	0.00	00/00/00	99/99/99	
260-50103-04A R213,214,503	RES, CF 5% 10K 1/4W	A	180	P	EA	3.00	1.00	0	0	0.00	00/00/00	99/99/99	
260-50104-03A R323	RES, CF 5% 100K 1/8W	B	185	P	EA	1.00	1.00	0	0	0.00	00/00/00	99/99/99	
260-50122-04D	RES, CF 5% 1.2K 1/4W .5	A	190	P	EA	2.00	1.00	0	0	0.00	11/21/95	99/99/99	
260-50132-04A R289,290	RES, CF 5% 1.3K 1/4W	A	195	P	EA	2.00	1.00	0	0	0.00	00/00/00	99/99/99	
260-50151-04A R301,302,303,304	RES, CF 5% 150 OHM 1/4W	A	200	P	EA	4.00	1.00	0	0	0.00	00/00/00	99/99/99	
260-50152-04A R229,230	RES, CF 5% 1.5K 1/4W	A	205	P	EA	2.00	1.00	0	0	0.00	00/00/00	99/99/99	
260-50183-03A R332	RES, CF 5% 18K 1/8W	B	210	P	EA	1.00	1.00	0	0	0.00	00/00/00	99/99/99	
260-50203-03A R328	RES, CF 5% 20K 1/8W	B	215	P	EA	1.00	1.00	0	0	0.00	00/00/00	99/99/99	
260-50221-04A R239,240,241,242	RES, CF 5% 220 OHM 1/4W	A	220	P	EA	4.00	1.00	0	0	0.00	00/00/00	99/99/99	
260-50222-04A R231,232,233,234,275,276 R281,282	RES, CF 5% 2.2K 1/4W	A	225	P	EA	8.00	1.00	0	0	0.00	00/00/00	99/99/99	
260-50223-03A R325	RES, CF 5% 22K 1/8W	B	230	P	EA	1.00	1.00	0	0	0.00	00/00/00	99/99/99	
260-50224-03A R327	RES, CF 5% 220K 1/8W	B	235	P	EA	1.00	1.00	0	0	0.00	00/00/00	99/99/99	
260-50302-04A R277,278,291,292	RES, CF 5% 3K 1/4W	A	240	P	EA	4.00	1.00	0	0	0.00	00/00/00	99/99/99	
260-50333-03A R331	RES, CF 5% 33K 1/8W	B	245	P	EA	1.00	1.00	0	0	0.00	00/00/00	99/99/99	
260-50393-04A R317,318	RES, CF 5% 39K 1/4W	A	250	P	EA	2.00	1.00	0	0	0.00	00/00/00	99/99/99	
260-50472-04A R305,306,307,308	RES, CF 5% 4.7K 1/4W	A	255	P	EA	4.00	1.00	0	0	0.00	00/00/00	99/99/99	
260-50473-03A R324,326	RES, CF 5% 47K 1/8W	B	260	P	EA	2.00	1.00	0	0	0.00	00/00/00	99/99/99	
260-50562-05A R283,284	RES, CF 5% 5.6K 1/2W	B	265	P	EA	2.00	1.00	0	0	0.00	08/18/94	99/99/99	
260-50563-03A R319,320,321,322,330	RES, CF 5% 56K 1/8W	B	270	P	EA	5.00	1.00	0	0	0.00	00/00/00	99/99/99	
260-50911-04A R201,202,203,204	RES, CF 5% 910 OHM 1/4W	A	275	P	EA	4.00	1.00	0	0	0.00	00/00/00	99/99/99	
263-50272-07A R235,236,237,238	RES MO FP 5% 2.7K 1W AX LG	B	280	P	EA	4.00	1.00	0	0	0.00	00/00/00	99/99/99	
263-50471-08A R329	RES MO FP 5% 470 2W AX LG	C	285	P	EA	1.00	1.00	0	0	0.00	00/00/00	99/99/99	
263-50477-07A R267,268	RES MO FP 5% 4.7 1W AX LG	B	290	P	EA	2.00	1.00	0	0	0.00	00/00/00	99/99/99	
263-50477-08A R269,270	RES MO FP 5% 4.7 2W AX LG	C	295	P	EA	2.00	1.00	0	0	0.00	00/00/00	99/99/99	
264-50509-08A R247,248,249,250,251,252 R253,254,255,256,257,258	RES, WW 5% .05 OHM 2W UNPREP	A	145	P	EA	12.00	1.00	0	0	0.00	08/18/94	99/99/99	
266-50100-04A R221,222,223,224	RES FUSIBLE 5% 10 OHM 1/4W	C	300	P	EA	4.00	1.00	0	0	0.00	00/00/00	99/99/99	
266-50100-05A R259,260,261,262,263,264 R265,266	RES FUSIBLE 5% 10 OHM 1/2W	C	305	P	EA	8.00	1.00	0	0	0.00	00/00/00	99/99/99	
266-50220-04A R243,244	RES FUSIBLE 5% 22 OHM 1/4W	C	310	P	EA	2.00	1.00	0	0	0.00	00/00/00	99/99/99	
266-50270-04A R245,246	RES FUSIBLE 5% 27 OHM 1/4W	C	315	P	EA	2.00	1.00	0	0	0.00	00/00/00	99/99/99	

MFG,RE,210,2 Carver Corporation
14-DEC-1995 15:07

PLANT CODE: CARVER

REQUESTER: ALVAREZ
PAGE NO: 3

BILL OF MATERIALS REPORT

=====

SORTED BY ASSEMBLY PART NUMBER, COMPONENT PART NUMBER
AS OF 12/14/95

CLASS CODE: 5
SUB-ASSEMBLIES
PART: 602-00593-01
DESC: CCA, MAIN - TFM-35X

UOM: EA SC: X REV: M

COMPONENT PART/ REFERENCE INFO	DESCRIPTION	ITEM RV	NUMBR	SC	ST LM	QTY PER ASSEMBLY	YIELD FACTR	OPER SEQ	-OFFSET FIXED	LD TIME-- VARIABLE	EFFECTIV DATE	INACTIVE DATE
266-50560-04D R505,506	RES FUSIBLE 5% 56 OHM 1/4W .5	C	320	P	EA	2.00	1.00	0	0	0.00	00/00/00	99/99/99
266-50620-04A R209,210,211,212	RES FUSIBLE 5% 62 OHM 1/4W	C	325	P	EA	4.00	1.00	0	0	0.00	00/00/00	99/99/99
320-20001-00 D201,202,203,204,205,206 D207,208	DIODE, 1N4148 75V .4	C	330	P	EA	8.00	1.00	0	0	0.00	00/00/00	99/99/99
320-20004-00 D209,210,211,212,213,214,215 D216,217,218,219,220,221,222 D223,224,311,312,513,514	DIODE 1N4004 400V PREP .4	B	335	P	EA	20.00	1.00	0	0	0.00	00/00/00	99/99/99
320-20006-00 D233,234,235,236,301,302,303 D304,305,306,307,308,309,310	DIODE 175 WIV HIGH SPEED .4	B	340	P	EA	14.00	1.00	0	0	0.00	00/00/00	99/99/99
320-20007-00 D225,226,227,228 D229,230,231,232	DIODE, MRB52 200V .85	A	345	P	EA	8.00	1.00	0	0	0.00	00/00/00	99/99/99
320-20010-03 D501,502,503,504,505,506,507 D508,509,510,511,512	DIODE 6AMP 400V UNPREP	D	350	P	EA	12.00	1.00	0	0	0.00	00/00/00	99/99/99
320-30014-00 D515,516	DIODE, ZENER 1N4745A 16V .4	A	355	P	EA	2.00	1.00	0	0	0.00	00/00/00	99/99/99
321-40014-01 Q237,238	XISTOR TO92 PNP SM SG 2SA1015Y	A	360	P	EA	2.00	1.00	0	0	0.00	00/00/00	99/99/99
321-40015-01 Q230,303,304,305	XISTOR TO92 PNP SM SG 2SA970	A	365	P	EA	4.00	1.00	0	0	0.00	00/00/00	99/99/99
321-40016-01 Q215,216,229,301,302	XISTOR TO92 NPN SM SG 2SC2240	A	370	P	EA	5.00	1.00	0	0	0.00	00/00/00	99/99/99
321-40027-01	XISTOR TO92 NPN SM SG 2SC3792	A	405	P	EA	1.00	1.00	0	0	0.00	11/21/95	99/99/99
321-60008-00 Q201,202,209,210	XISTOR 2006A PNP PWR 2SA1370	A	375	P	EA	4.00	1.00	0	0	0.00	00/00/00	99/99/99
321-60009-00 Q203,204,207,208	XISTOR 2006A NPN PWR 2SC3467	A	380	P	EA	4.00	1.00	0	0	0.00	00/00/00	99/99/99
321-60015-01 Q451,501	XISTOR TO220 NPN 2SD2012	A	385	P	EA	2.00	1.00	0	0	0.00	00/00/00	99/99/99
321-60016-01 Q502	XISTOR TO220 PNP 2SB1375	A	390	P	EA	1.00	1.00	0	0	0.00	00/00/00	99/99/99
321-60017-01 Q231	XSTR PNP SM SG 2SA1306	B	395	P	EA	1.00	1.00	0	0	0.00	00/00/00	99/99/99
321-60018-01 Q232	XSTR NPN SM SG 2SC3298	B	400	P	EA	1.00	1.00	0	0	0.00	00/00/00	99/99/99
330-30020-01 IC301	IC, SPEAKER PROTECT TA7317P	A	410	P	EA	1.00	1.00	0	0	0.00	00/00/00	99/99/99
401-10598-00 E501 TO J107	WIRE 22 AWG TR-64 BLUE 7"	-	413	P	EA	1.00	1.00	0	0	0.00	12/06/93	99/99/99
401-20003-00	BUSS WIRE 22 GAGE SPOOL	B	415	P	FT	12.10	1.00	0	0	0.00	05/31/94	99/99/99
PREVIOUS .4", QTY 45: J4,7,9,13,14,18,23,24,26,31 J32,33,34,35,36,38,39,42,62 J64,65,68,69,70,71,72,77,80 J81,83,87,88,91,92,93,94,95 J96,98,100,103,104 D451, R271,272												
PREVIOUS .8" INSUL, QTY 67: J1,2,3,5,6,8,10,11,12,15,16,17 J19,20,21,22,25,27,28,29,30,37 J40,41,43-61,63,66,67,73-76,78 J79,82,84,85,86,89,90,97,99 J101,102,105,106,108,109,110												
403-10006-00 USE UNDER C315	GLUE, HOT MELT		419	E	LB	0.00	1.00	0	0	0.00	04/17/95	99/99/99
403-10025-01 USE UNDER C501,502,503,504 C505,506	ADHESIVE, RTV 5813 HI TEMP	A	422	E	EA	0.00	1.00	0	0	0.00	04/15/94	99/99/99

MFG,RE,210,2 Carver Corporation
 14-DEC-1995 15:07

PLANT CODE: CARVER

REQUESTER: ALVAREZ
 PAGE NO: 4

BILL OF MATERIALS REPORT

=====

SORTED BY ASSEMBLY PART NUMBER, COMPONENT PART NUMBER
 AS OF 12/14/95

CLASS CODE: 5
 SUB-ASSEMBLIES
 PART: 602-00593-01
 DESC: CCA, MAIN - TFM-35X

UOM: EA SC: X REV: M

COMPONENT PART/ REFERENCE INFO	DESCRIPTION	ITEM RV NUMBR	ST SC	QTY PER UM	PER ASSEMBLY	YIELD FACTR	OPER SEQ	-OFFSET LD TIME--		EFFECTIV DATE	INACTIVE DATE
								FIXED	VARIABLE		
501-00514-01	PCB, 200-400W HIFI AMP	A	1 B	EA	1.00	1.00	0	0	0.00	00/00/00	99/99/99
511-00019-00 H451	HEATSINK, EXTRUDED TO-220	B	425 B	EA	1.00	1.00	0	0	0.00	00/00/00	99/99/99
531-00012-01 EL501	LUG, SOLDER, #6	A	430 X	EA	1.00	1.00	0	0	0.00	00/00/00	99/99/99
550-10059-01 W16,17	HARN CON .10 SPAC 3 POS 11"	A	435 B	EA	2.00	1.00	0	0	0.00	00/00/00	99/99/99
550-10084-03 (SP201)	HARN #16 TR64 RNG TRM BLK 3.25	E	421 B	EA	4.00	1.00	0	0	0.00	12/06/93	99/99/99
616-00093-01 L201,202	CHOKE, 2.5 UH	C	440 B	EA	2.00	1.00	0	0	0.00	00/00/00	99/99/99
617-20000-01 RY301,302	RELAY, SPST 24V PC MNT	C	445 P	EA	2.00	1.00	0	0	0.00	00/00/00	99/99/99

MFG,RE,210,2 Carver Corporation
 14-DEC-1995 15:07

PLANT CODE: CARVER

REQUESTER: ALVAREZ
 PAGE NO: 1

BILL OF MATERIALS REPORT

 SORTED BY ASSEMBLY PART NUMBER, COMPONENT PART NUMBER
 AS OF 12/14/95

CLASS CODE: 5
 SUB-ASSEMBLIES
 PART: 602-00593-04
 DESC: CCA, XSTR LEFT

UOM: EA SC: X REV: A

COMPONENT PART/ REFERENCE INFO	DESCRIPTION	ITEM		ST QTY PER UM ASSEMBLY	YIELD OPER FACTR SEQ	-OFFSET LD TIME--		EFFECTIV DATE	INACTIVE DATE
		RV NUMBR	SC			FIXED	VARIABLE		
321-90001-00 Q205	X1STOR B100 NPN PWR 2SC3423-Y	A	5 P	EA	1.00	1.00	0	0	0.00 00/00/00 99/99/99
550-10060-01 A5W1	HRN CN 3P1M .098 SP #22TR64 3M	A	10 B	EA	1.00	1.00	0	0	0.00 00/00/00 99/99/99

MFG,RE,210,2 Carver Corporation
 14-DEC-1995 15:07

PLANT CODE: CARVER

REQUESTER: ALVAREZ
 PAGE NO: 1

BILL OF MATERIALS REPORT

=====

SORTED BY ASSEMBLY PART NUMBER, COMPONENT PART NUMBER
 AS OF 12/14/95

CLASS CODE: 5
 SUB-ASSEMBLIES
 PART: 602-00593-05
 DESC: CCA, XSTR RIGHT

UOM: EA SC: X REV: A

COMPONENT PART/ REFERENCE INFO	DESCRIPTION	ITEM		ST QTY PER UM ASSEMBLY	YIELD OPER FACTR SEQ	-OFFSET LD TIME--		EFFECTIV DATE	INACTIVE DATE
		RV NUMBR	SC			FIXED	VARIABLE		
321-90001-00 Q206	XISTOR B100 NPN PWR 2SC3423-Y	A	5	P EA	1.00 1.00	0	0	0.00 00/00/00	99/99/99
550-10060-01 A6W1	HRN CN 3PIN .098 SP #22TR64 3M	A	10	B EA	1.00 1.00	0	0	0.00 00/00/00	99/99/99

MFG,RE,210,2 Carver Corporation
14-DEC-1995 15:07

PLANT CODE: CARVER

REQUESTER: ALVAREZ
PAGE NO: 1

BILL OF MATERIALS REPORT

=====

SORTED BY ASSEMBLY PART NUMBER, COMPONENT PART NUMBER
AS OF 12/14/95

CLASS CODE: 5
SUB-ASSEMBLIES
PART: 602-00600-01
DESC: CCA, INPUT - TFM-35X

UOM: EA SC: X REV: D

COMPONENT PART/ REFERENCE INFO	DESCRIPTION	ITEM RV NUMBR	ST SC	QTY UM	PER ASSEMBLY	YIELD FACTR	OPER SEQ	-OFFSET FIXED	LD VARIABLE	TIME-- DATE	EFFECTIV DATE	INACTIVE DATE
109-10022-02 J100	PHONO JACK 2P SLD R DIP PIN GLD	B	5	P	EA	1.00	1.00	0	0	0.00	00/00/00	99/99/99
201-00002-00 C105,106	CAP CER DISC 10 PF 1000V 10%	C	10	P	EA	2.00	1.00	0	0	0.00	00/00/00	99/99/99
201-00013-00 C103,104	CAP CER DISC 120 PF 1000V 10%	B	15	P	EA	2.00	1.00	0	0	0.00	00/00/00	99/99/99
201-00127-02 C155,156,157,158	CAP CR DSK .01UF 50V +80-20 .2	B	20	P	EA	4.00	1.00	0	0	0.00	00/00/00	99/99/99
204-00101-00 C101,102	CAP PLYFLM .47 UF 50V 20% RAD	A	25	P	EA	2.00	1.00	0	0	0.00	00/00/00	99/99/99
204-00134-00 C107,108	CAP MTL FLM .01 UF 50V 5%	A	30	P	EA	2.00	1.00	0	0	0.00	00/00/00	99/99/99
204-00146-00 C153,160,161	CAP MTL FLM .1 UF 50V 5%	B	35	P	EA	3.00	1.00	0	0	0.00	00/00/00	99/99/99
205-00179-02 C109,110	CAP LYTIC 220 UF 10V MINI 20%	A	40	P	EA	2.00	1.00	0	0	0.00	00/00/00	99/99/99
260-50104-04D R103,104,111,112	RES, CF 5% 100K 1/4W .5	A	45	P	EA	4.00	1.00	0	0	0.00	00/00/00	99/99/99
260-50105-04D R110	RES, CF 5% 1M 1/4W .5	A	50	P	EA	1.00	1.00	0	0	0.00	00/00/00	99/99/99
260-50162-04D R117,118,119,120	RES, CF 5% 1.6K 1/4W .5	A	55	P	EA	4.00	1.00	0	0	0.00	00/00/00	99/99/99
260-50202-04D R101,102,129,130,131,132	RES, CF 5% 2K 1/4W .5	A	60	P	EA	6.00	1.00	0	0	0.00	00/00/00	99/99/99
260-50204-04D R168	RES, CF 5% 200K 1/4W .5	A	65	P	EA	1.00	1.00	0	0	0.00	00/00/00	99/99/99
260-50471-04D R105,106	RES, CF 5% 470 OHM 1/4W .5	A	70	P	EA	2.00	1.00	0	0	0.00	00/00/00	99/99/99
260-50472-04D R125,126,127,128,167	RES, CF 5% 4.7K 1/4W .5	A	75	P	EA	5.00	1.00	0	0	0.00	00/00/00	99/99/99
260-50822-04D R121,122,123,124	RES, CF 5% 8.2K 1/4W .5	A	80	P	EA	4.00	1.00	0	0	0.00	00/00/00	99/99/99
262-31003-04D R113,114,165	RES, MF 1% 100K 1/4W .5	A	85	P	EA	3.00	1.00	0	0	0.00	00/00/00	99/99/99
262-33741-04D R115,116	RES, MF 1% 3.74K 1/4W .5	A	90	P	EA	2.00	1.00	0	0	0.00	00/00/00	99/99/99
318-40011-01 S100	SWITCH, SLIDE 2-POS 2-POLE	A	95	P	EA	1.00	1.00	0	0	0.00	01/28/94	99/99/99
321-40014-01 Q151	XISTOR TO92 PNP SM SG 2SA1015Y	A	100	P	EA	1.00	1.00	0	0	0.00	00/00/00	99/99/99
321-40015-01 Q105,106	XISTOR TO92 PNP SM SG 2SA970	A	105	P	EA	2.00	1.00	0	0	0.00	00/00/00	99/99/99
321-40016-01 Q103,104	XISTOR TO92 NPN SM SG 2SC2240	A	110	P	EA	2.00	1.00	0	0	0.00	00/00/00	99/99/99
321-40027-01	XISTOR TO92 NPN SM SG 2SC3792	A	115	P	EA	1.00	1.00	0	0	0.00	11/21/95	99/99/99
330-30021-01 U101	IC, DUAL OP AMP SIP NJM4565	B	120	P	EA	1.00	1.00	0	0	0.00	00/00/00	99/99/99
401-20003-00 PREVIOUS .5M W5,6,7,8	BUSS WIRE 22 GAGE SPOOL INSUL, QTY 4:	B	125	P	FT	0.40	1.00	0	0	0.00	10/17/94	99/99/99
501-00600-01	PCB, INPUT	C	1	B	EA	1.00	1.00	0	0	0.00	00/00/00	99/99/99
550-00040-01 W2 (J102)	CBL ASSY-#22 6PIN TO 3PIN 6M	A	130	B	EA	1.00	1.00	0	0	0.00	00/00/00	99/99/99
550-00041-01 W1 (J101)	CBL ASSY, #22 6PIN TO 4PIN 6M	A	135	B	EA	1.00	1.00	0	0	0.00	00/00/00	99/99/99
550-00042-01 WITH E1	CBL ASSY,#18 RING LUG NO.4 7M	A	137	B	EA	1.00	1.00	0	0	0.00	09/15/94	99/99/99
550-10056-01 W3 (J103)	HARN CON 3 PIN #22 TR64 9M	A	140	B	EA	1.00	1.00	0	0	0.00	00/00/00	99/99/99

*****END OF REPORT*****

