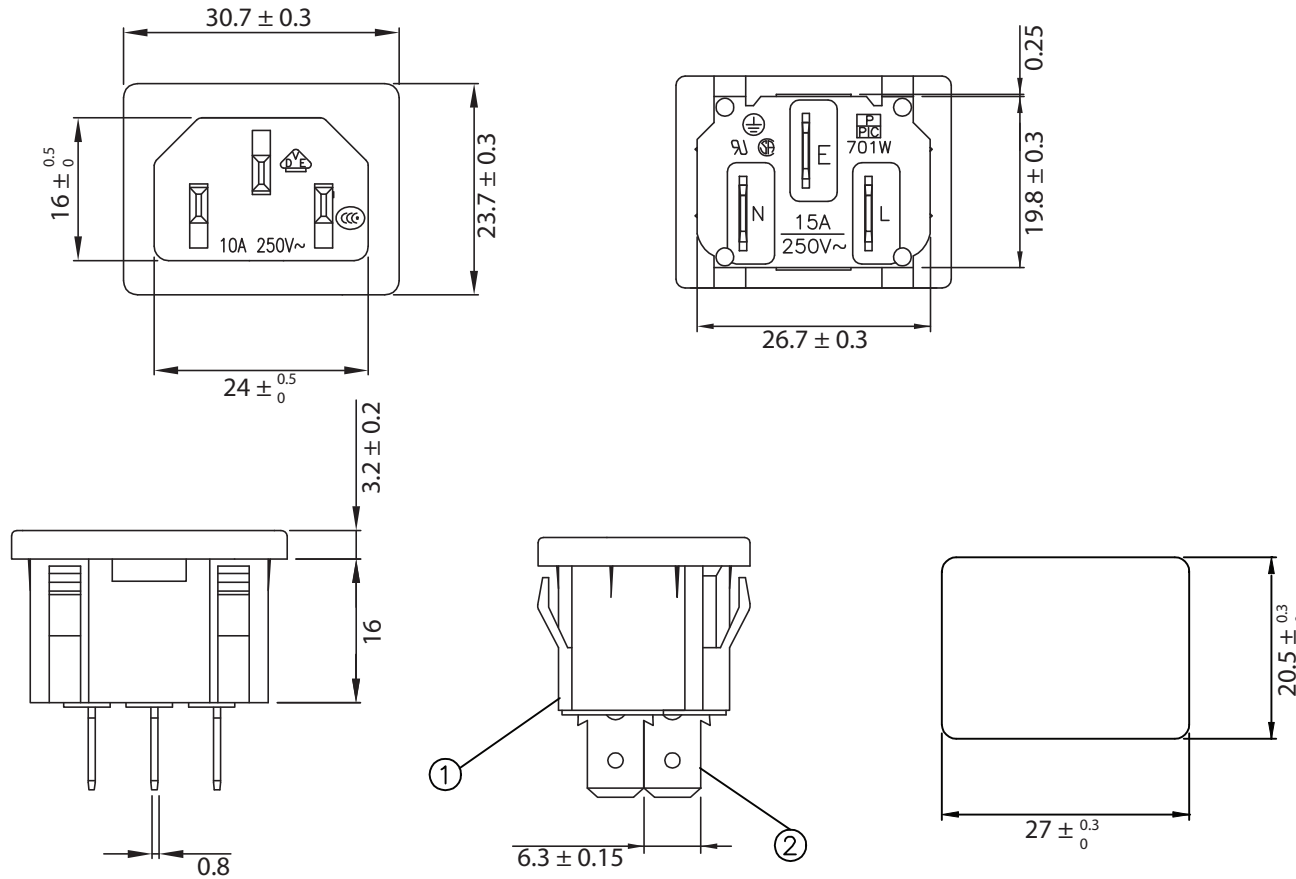


THESE DRAWINGS ARE THE PROPERTY OF QUALTEK ELECTRONICS AND NOT TO BE REPRODUCED FOR OR COMMUNICATED TO A THIRD PARTY WITHOUT THE EXPRESS WRITTEN PERMISSION OF AN OFFICER OF QUALTEK ELECTRONICS.

REVISION			
REV.	DESCRIPTION	DATE	APPROVED
B	RoHS Compliancy	06-01-06	DP
C	Updated Specifications	12-20-07	DP
D	Updated Approvals	03-03-16	LY



CONTROLLED

NOTES:

RATING:

UL, CSA: 15A 250V AC
 VDE, CCC: 10A 250V AC
 INSULATION RESISTANCE: OVER 100M OHM 500V DC
 DIELECTRIC RESISTANCE: 2000V AC ONE MINUTE
 PANEL THICKNESS: 0.8mm ~ 1.5mm
 APPROVALS: UL, CSA, VDE, CCC
 RoHS COMPLIANT

2	Contact PIN Brass Strip Tin-Plated	3				
1	Body Insulator Nylon Black Color	1				
Dim range (mm)		Tolerance +/- (mm)		Qualtek Electronics Corp. PPC DIVISION Part Number: 701W-X2/04 RoHS Compliant		
0-1	0.15	Description: AC RECEPTACLE				
1-6	0.20			UNIT: mm	REV.D	
6-18	0.30			Drawn / Date	Checked / Date	Approved / Date
18-50	0.50			B.Zhang	05-11-05	JJH / 05-11-05
50-120	0.70					
120-250	0.90					
250-500	1.20					

Mouser Electronics

Authorized Distributor

Click to View Pricing, Inventory, Delivery & Lifecycle Information:

[Qualtek:](#)

[701W-X2/04](#)