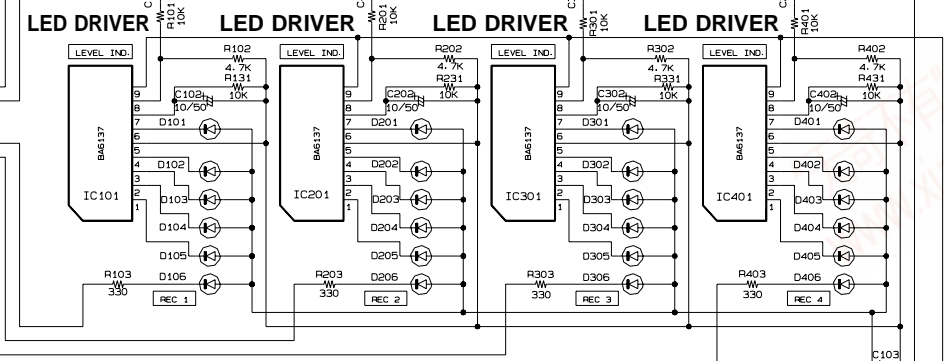
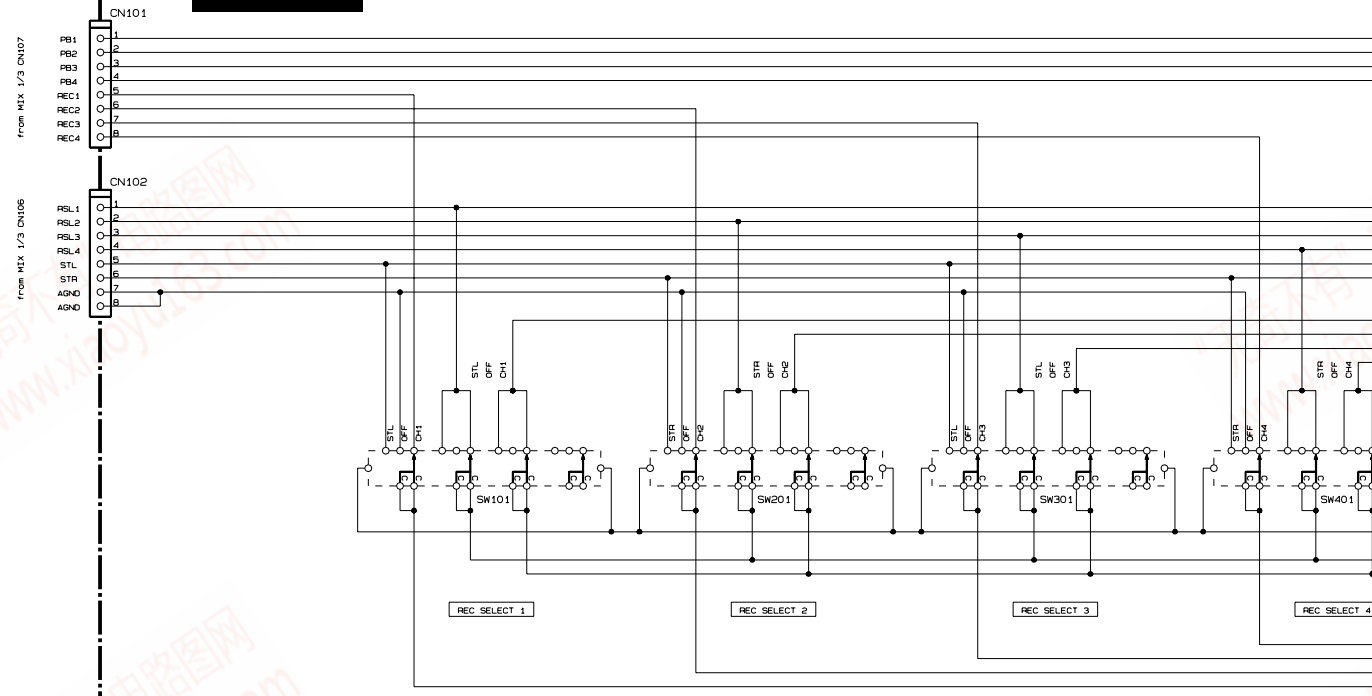


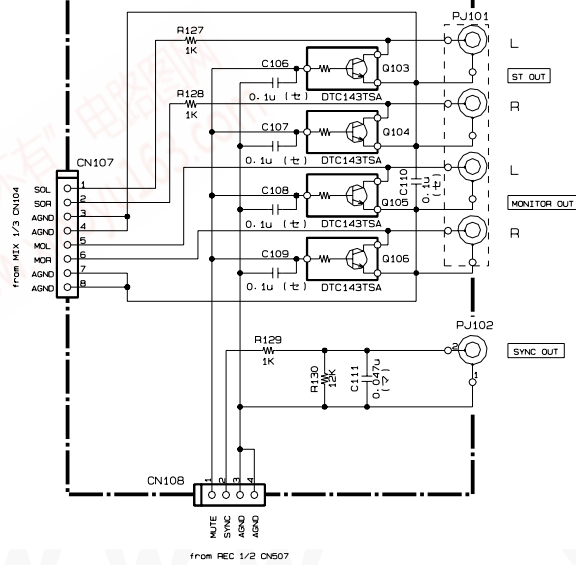
MT400 CIRCUIT DIAGRAM 4/4(SUB-1/3,2/3,3/3)

MT400

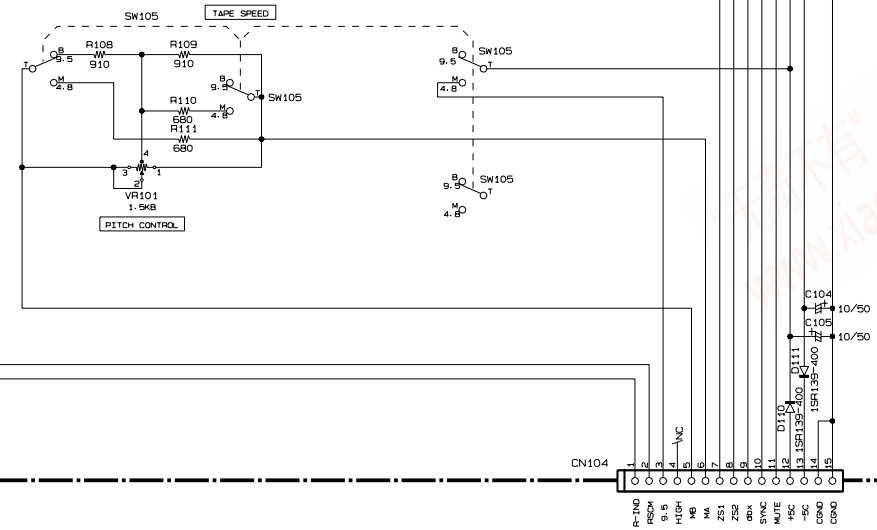
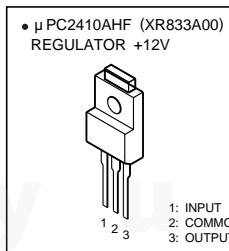
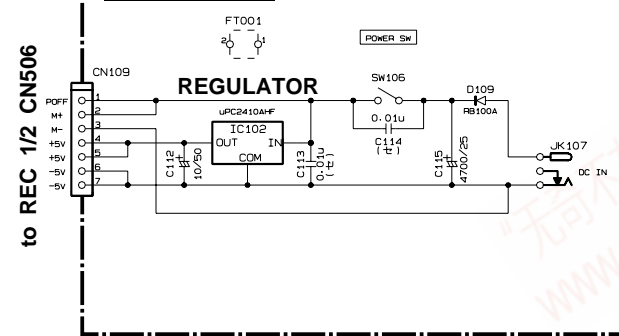
SUB1/3



SUB2/3



SUB3/3



MT400

MT400

MT400-3300