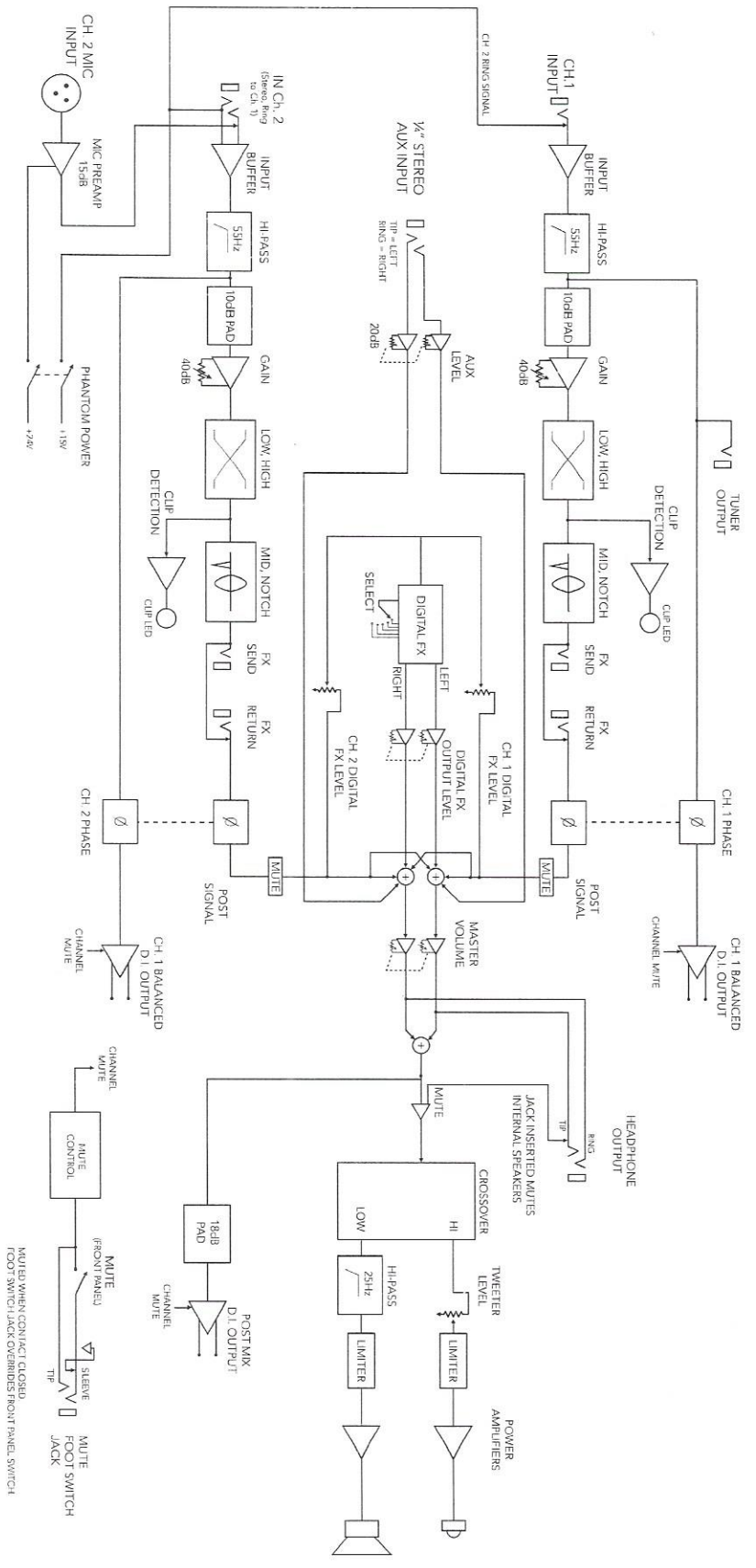
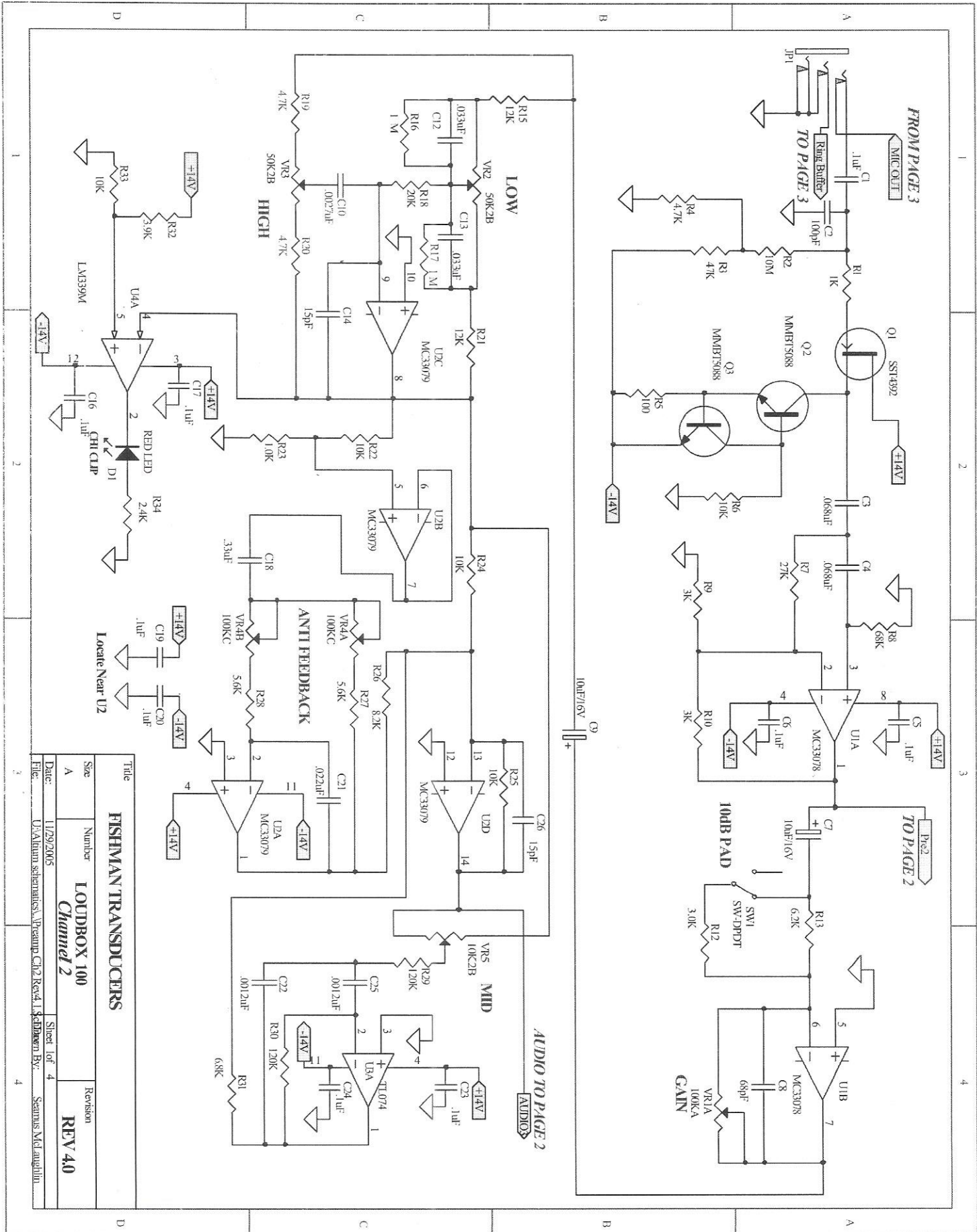


Block Diagram





FROM PAGE 3

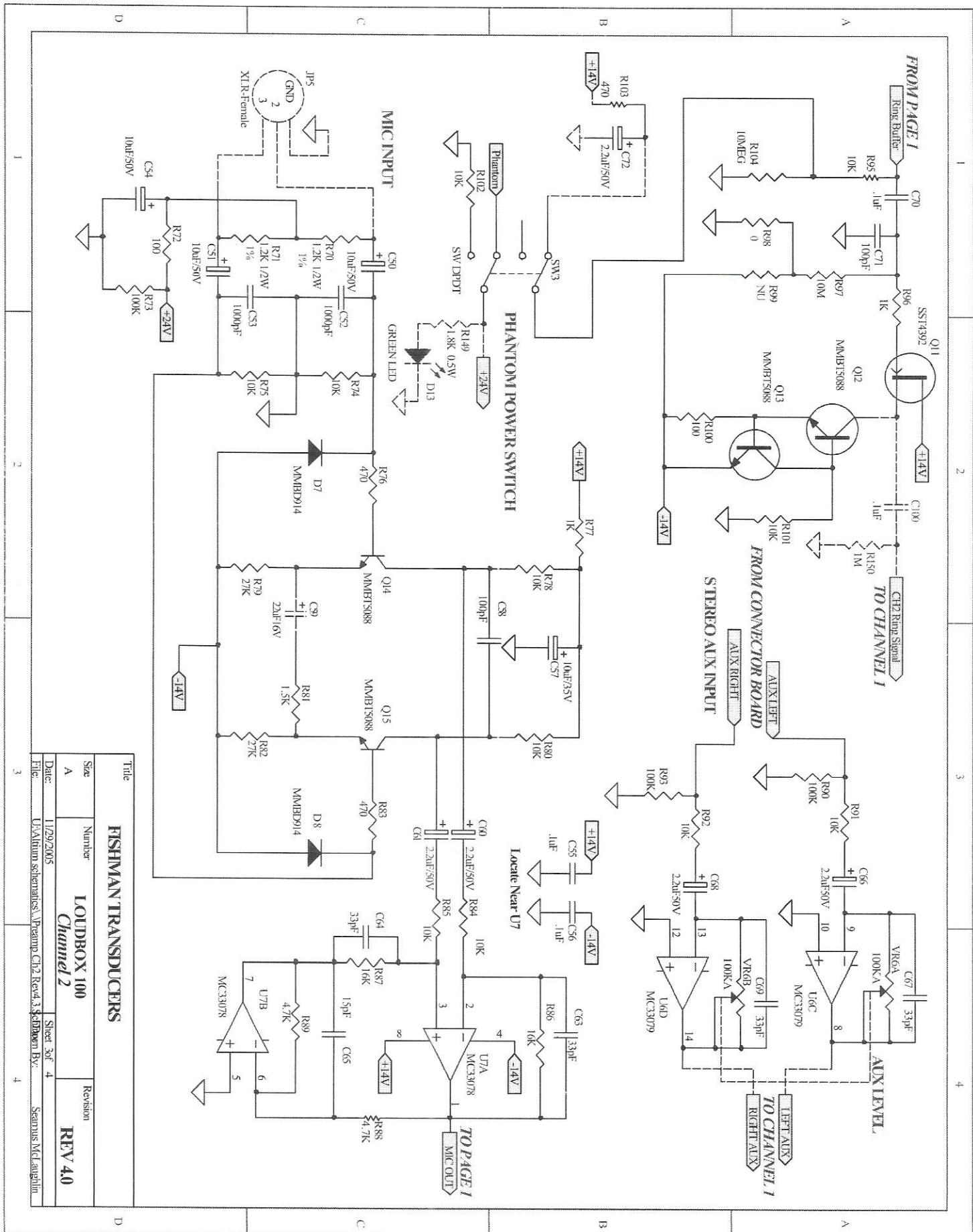
TO PAGE 2

AUDIO TO PAGE 2

FISHMAN TRANSDUCERS

LOUDBOX 100
Channel 2

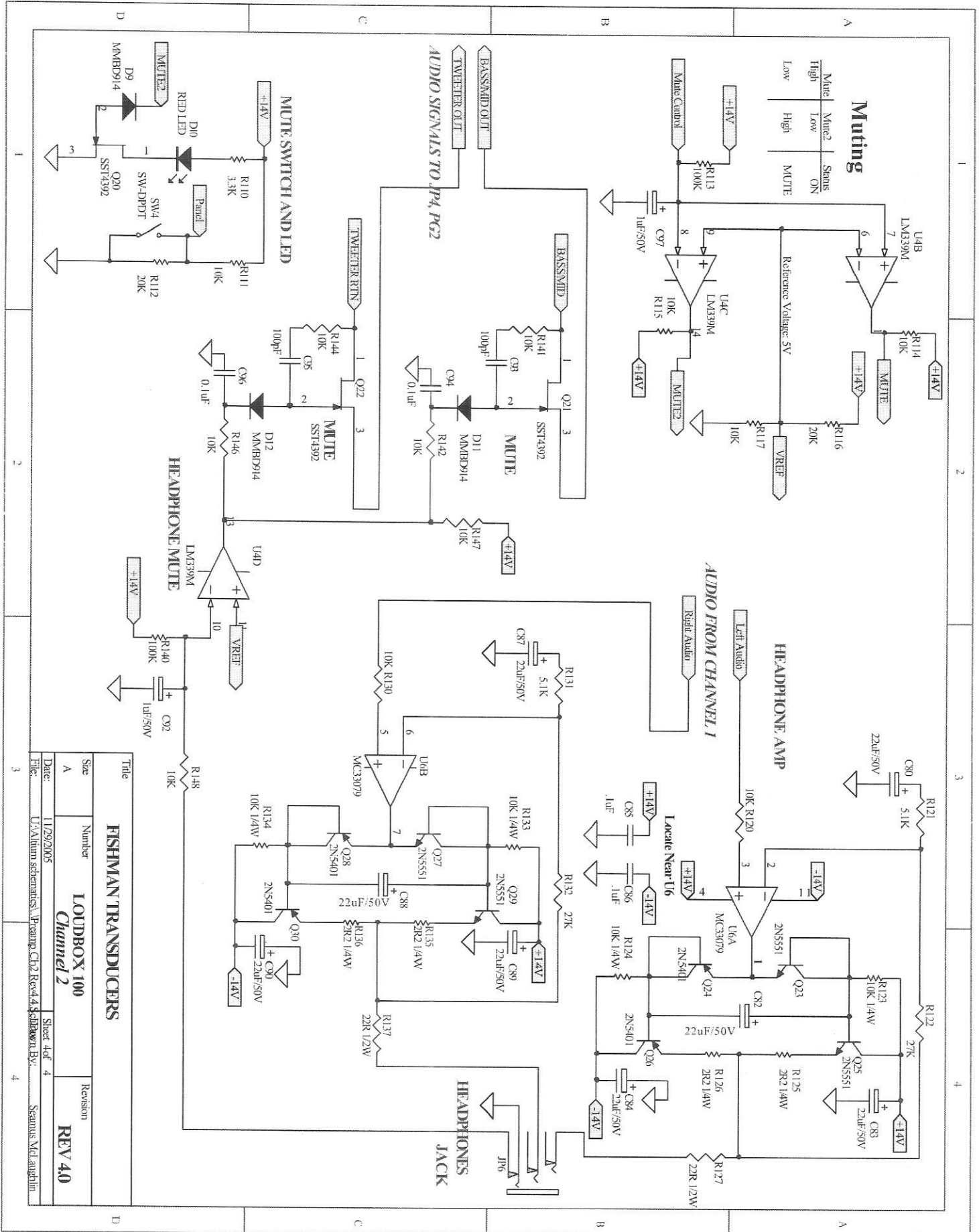
Title	Number	Revision
FISHMAN TRANSDUCERS	LOUDBOX 100	REV 4.0
Size	A	Sheet 1 of 4
Date:	11/29/2005	Seamus Mcloughlin
File:	U:\Audio\scenarios\Preamp_Chp2_Rev4_1.sch	



FISHMAN TRANSDUCERS

Title	Size	Number	Revision
LOUDBOX 100	A	Channel 2	REV 4.0

Date: 11/29/2005
 File: U:\Album schematics\Peamp Ch2 Rev4.0.sch
 Sheet 3 of 4
 Schematic By: Seanrus McLaughlin



Title		
FISHMAN TRANSDUCERS		
Size	Number	Revision
A	LOUDBOX 100	
Date:	Channel 2	
11/29/2005	REV 4.0	
File:	Sheet 4 of 4	Seamus McLaughlin
U:\Alumni schematics - Wreang, Ch2 Rev 4.4.sch		