

NOTES

- 1) CAUTION: SHOCK HAZARD!! THIS UNIT CONTAINS HAZARDOUS VOLTAGE. DISCONNECT POWER AND BE SURE POWER SUPPLY IS DISCHARGED BEFORE TOUCHING INTERNAL PARTS.
- 2) UNLESS NOTED, RESISTOR VALUES IN OHMS, 1/4W-5% TOL. CAPACITOR VALUES IN MICROFARADS, 50V-10% TOL.
- 3) VOLTAGES ARE MEASURED WITH 1 MEGOHM OSCILLOSCOPE AND 10 MEGOHM DIGITAL VOLTMETER.
- 4) CHASSIS GROUND ↗ DIRTY GROUND ↘ SIGNAL GROUND ⊥

CAUTION:

THIS SCHEMATIC IS PROVIDED FOR USE BY QUALIFIED PERSONNEL. TO AVOID RISK OF ELECTRIC SHOCK, REFER SERVICING TO QUALIFIED SERVICE PERSONNEL. DO NOT PERFORM ANY SERVICING BEYOND THAT EXPLAINED IN THE OPERATING INSTRUCTIONS.

REV	DATE	BY	CHK'D	DESCRIPTION
14	5/14/98	REM		RADIAL CONVERSION PER E970587 & 980015
13	09/10/97	SWR		CHANGED EXPORT TRANSFORMER WIRING ON SHEET 3 OF 3. PER ECO #970400.
12	11/13/96	REM		CHG'D REV TO MATCH PICT PER E960449.
11	NOT USED			
10	09/10/96	SWR		ADDED GOOP DRAWING TO PICTORIAL (SHT 3 OF 3) PER DCO #960354.
9	08/14/96	LMA		REV CHG TO REFLECT PICT PER C.O
8	05/20/96	LMA		CHG REV TO REFLECT PICT PER E950030
5	01/03/95	ERW		CHANGED VALUE OF C27, R13, R28-31 & R40-43.
4	05/16/94	LMA		REV CHANGE ONLY TO REFLECT PICTORIAL
3				
2	11/23/93	ERW		CHANGES TO SHEET 2 OF 3
1	08/03/93	SWR		REVERSED PINS 1 & 2 OF J10 & FAN.

SIGNATURES:		DATE:	11880 BORMAN DR. ST. LOUIS, MISSOURI 63146
DRAWN: ERW		04/05/93	
CHK'D:			PROJECT NAME:
APP'D:			SVT-3 PRO
ORIGINAL ISSUED:			DRAWING NAME:
PLOT DATE:	07/28/98		PWR. AMP SCHEMATIC
PLOT TIME:	09:16:47		DRAWING NO. 07S426-01
FILE NAME:	42601HN_		REV: 15
			SCALE: 1:1 SHEET: 1 OF 3

15	6/25/98	WFB		ADDED BLUE/WHT WIRE TO XFRMR PER E980015
----	---------	-----	--	------------------------------------------

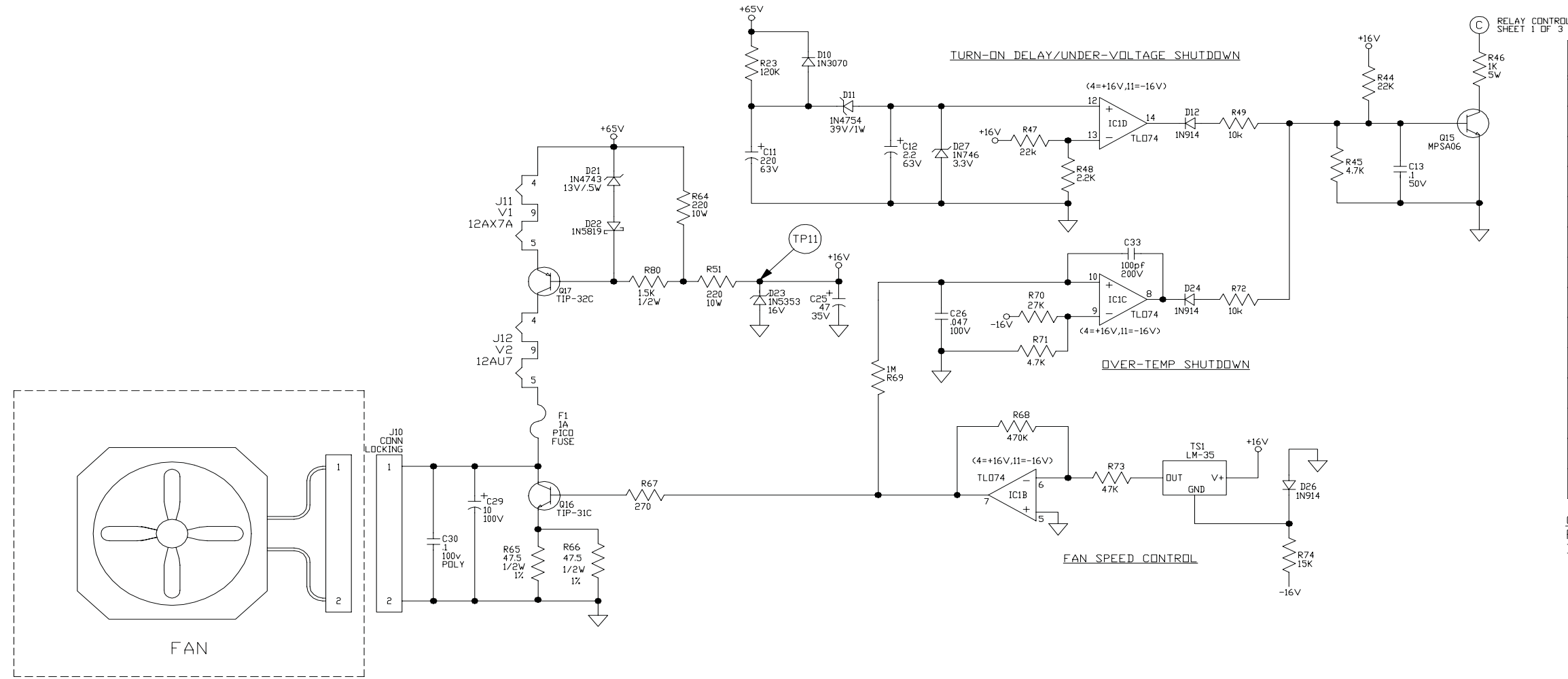


SVT-3PRO

©2007 LOUD Technologies Inc. All rights reserved

Power Amp PCB Schematics

PAGE 1



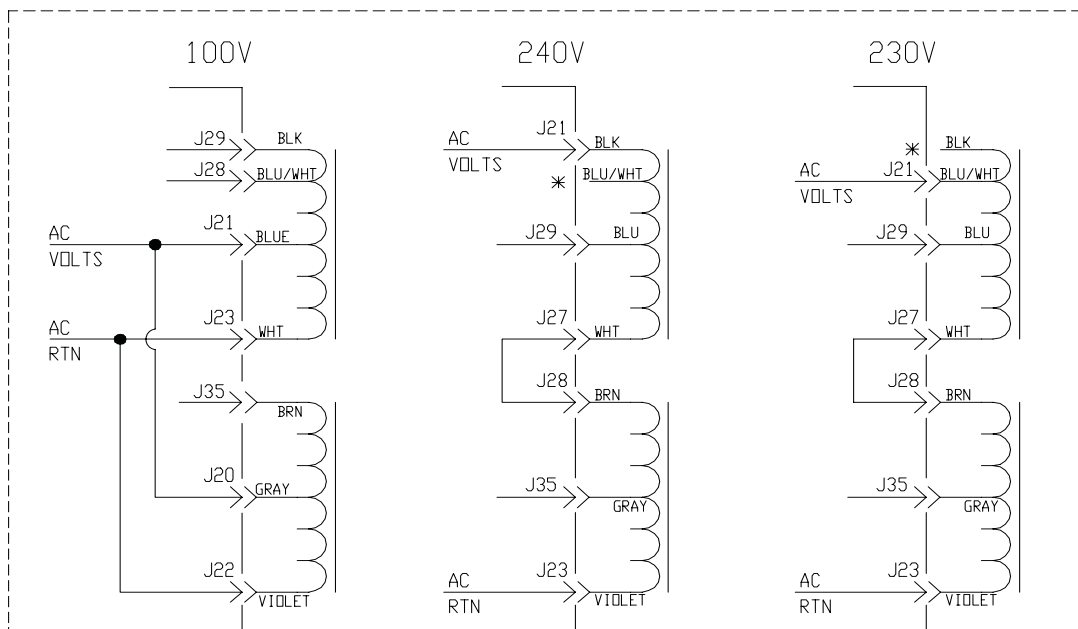
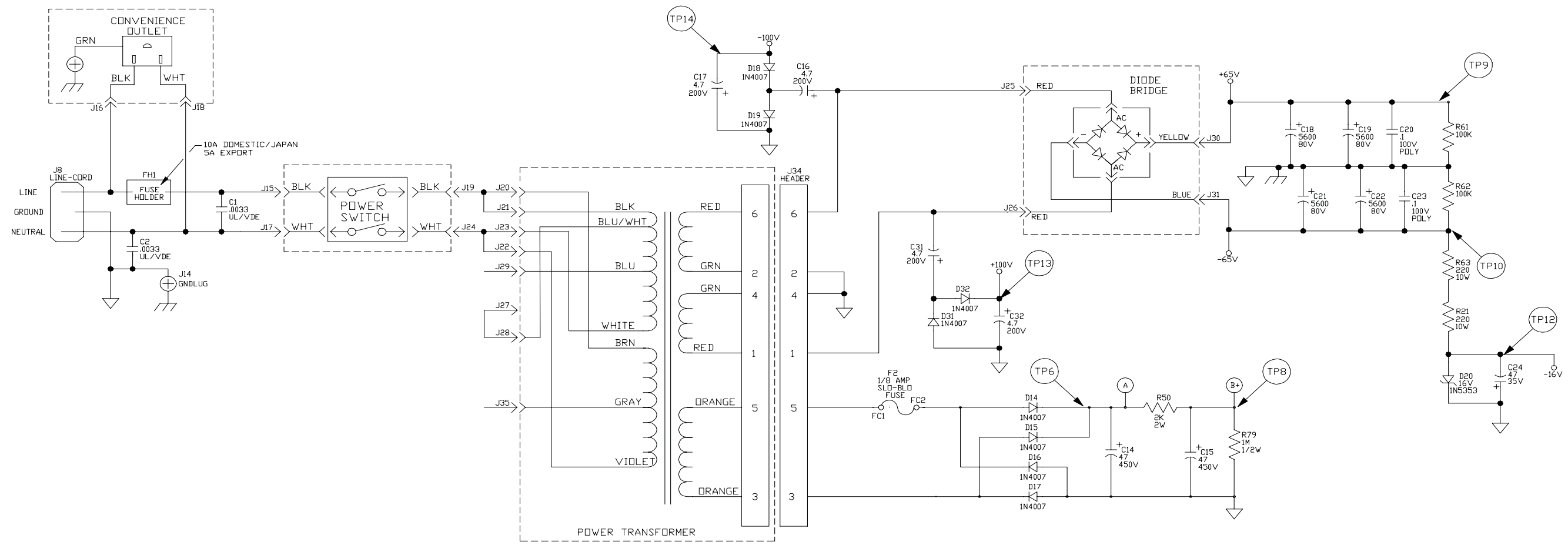
TEST POINTS	WAVEFORM	VOLTAGE (AC)	VOLTAGE (DC)
1		360mVrms	0V
2		23Vrms	160V
3		23Vrms	160V
4		21Vrms	165V
5		20Vrms	0V
6		2Vp-p	310V
7		20mVp-p	280V
8		50mVp-p	300V
9	NO SIGNAL	250mVp-p	70V
10	NO SIGNAL	250mVp-p	-70V
11		40mVp-p	16V
12		40mVp-p	-16V
13		20Vp-p	97V
14		20Vp-p	-97V

CONDITIONS:
 PLATE VOLTAGE CONTROL @ "10" (PIN 11 OPEN).
 INPUT SIGNAL: 1.0Vp-p SINE WAVE.

SEE SHT 1 FOR REV HISTORY

SIGNATURES:	DATE:	 11880 BORMAN DR. ST. LOUIS, MISSOURI 63146
DRAWN: ERW	4/5/93	
CHK'D:		PROJECT NAME:
APP'D:		SVT-3 PRO
ORIGINAL ISSUED:		DRAWING NAME:
PLOT DATE:	07/30/98	PWR. AMP SCHEMATIC
PLOT TIME:	09:16:47	DRAWING NO. 07S426-01
FILE NAME:	42601HN_	REV. 15
		SCALE: 1:1 SHEET: 2 OF 3

POWER SUPPLY



EXPORT WIRING

*ALL UNUSED PRIMARY LEADS ARE BOOTED. THE BLUE/WHITE PRIMARY TRANSFORMER LEAD IS NOT USED ON ALL TRANSFORMER VERSIONS AND IS REPLACED WITH BLACK LEAD.

SEE SHT 1 FOR REV HISTORY

SIGNATURES:		DATE:	11880 BORMAN DR. ST. LOUIS, MISSOURI 63146
DRAWN: ERW		04/05/93	
CHK'D:			PROJECT NAME:
APP'D:			SVT-3 PRO
ORIGINAL ISSUED:			DRAWING NAME:
PLOT DATE:	07/30/98		PWR. AMP SCHEMATIC
PLOT TIME:	09:16:47		DRAWING NO. 07S426-01
FILE NAME:	42601HN_		REV. 15
			SCALE: 1:1 SHEET: 3 OF 3