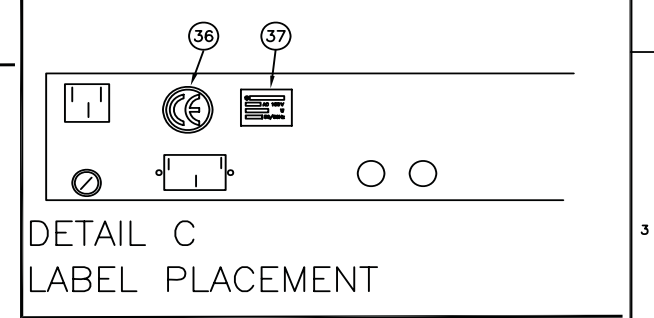
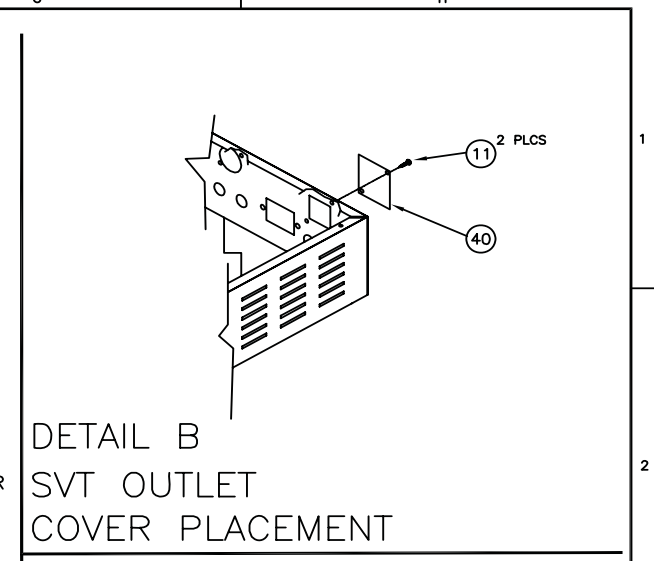
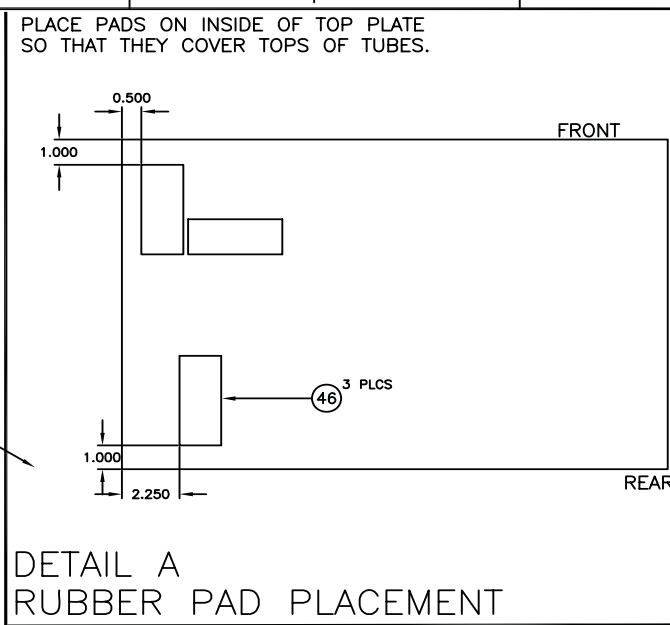
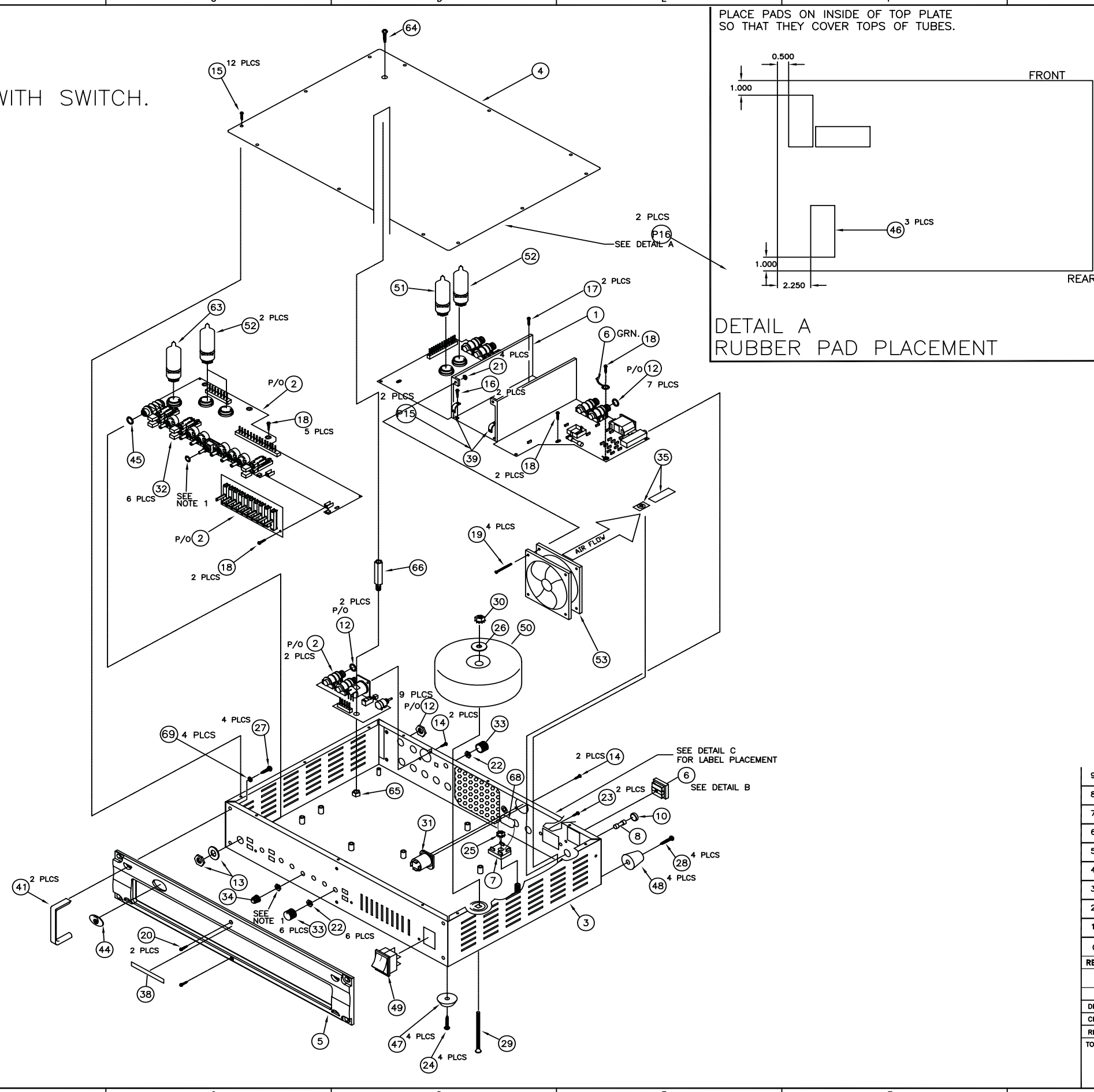


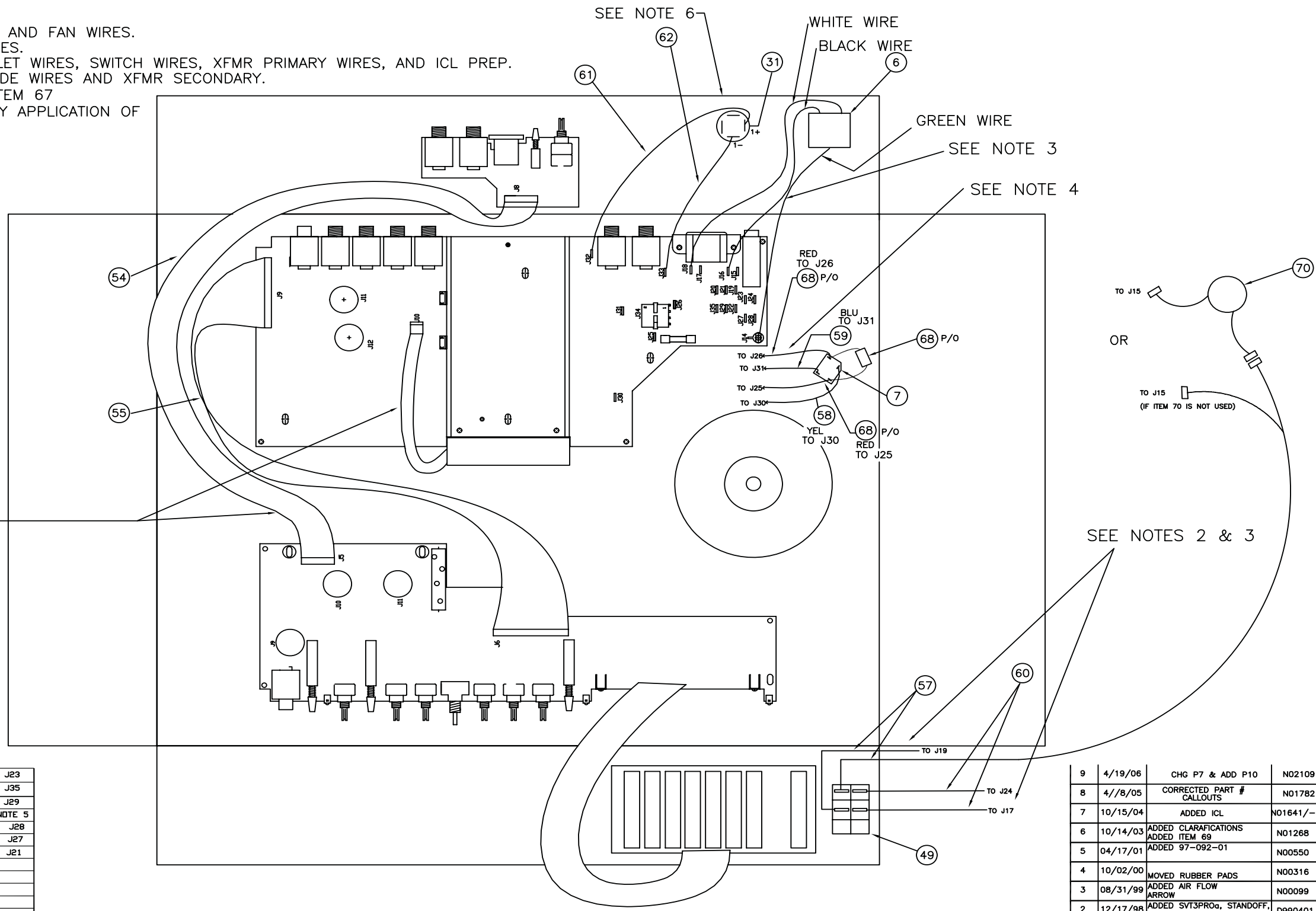
NOTES:  
1) HARDWARE INCLUDED WITH SWITCH.



9	4/19/06	CHG P7 & ADD P10	N02109	MJK	
8	4/8/05	CORRECTED PART # CALLOUTS	N01782	DDG	
7	10/15/04	ADDED ICL	N01641/-	DDG	
6	10/14/03	ADDED CLARIFICATIONS ADDED ITEM 69	N01268	JRC	
5	04/17/01	ADDED 97-092-01	N00550	DDA	
4	10/02/00	MOVED RUBBER PADS	N00316	JRC	
3	08/31/99	ADDED AIR FLOW ARROW	N00099	JRC	
2	12/17/98	ADDED SVT3PRO <sub>a</sub> , STANDOFF, HARDWARE PER 980620	D990401	MAG	
1	09/30/98	CHG'D DWG PER E980506	981014-01	MAG	
0		CONTROL ISSUE			
REV:	DATE:	DESCRIPTION	ECR/ECN NO:	CHNG'D BY:	APPR'D BY: DATE:
THE INFORMATION CONTAINED ON THIS DRAWING IS PROPRIETARY TO ST. LOUIS MUSK, INC.					
SIGNATURES:		DATE:			
DRAWN: MAG		06/19/98		11880 Borman Dr. St. Louis, Missouri 63146	
CHK'D:		FIRST USED ON:			
RLS'D					
TOLERANCES:	DRAWING SIZE: D	DRAWING TITLE: BASS AMPLIFIER			
	DRAWING TYPE: AY	DRAWING NO: 00-334-XX			
	CLASS CODE:	DRAWING NO: 00-334-XX			
	SCALE: NA	SHEET: 1 OF 3			

NOTES:

- 1) USE (1) ITEM 42 TO SECURE HARNESSES AND FAN WIRES.
- 2) USE (1) ITEM 42 TO SECURE SWITCH WIRES.
- 3) USE (1) ITEM 42 TO SECURE CONV. OUTLET WIRES, SWITCH WIRES, XFMR PRIMARY WIRES, AND ICL PREP.
- 4) USE (1) ITEM 42 TO SECURE BRIDGE DIODE WIRES AND XFMR SECONDARY.
- 5) TO TERMINATE UNUSED XFMR WIRE USE ITEM 67
- 6) SECURE ITEMS 61 AND 62 TO ITEM 31 BY APPLICATION OF GOOP PER S.O.P.

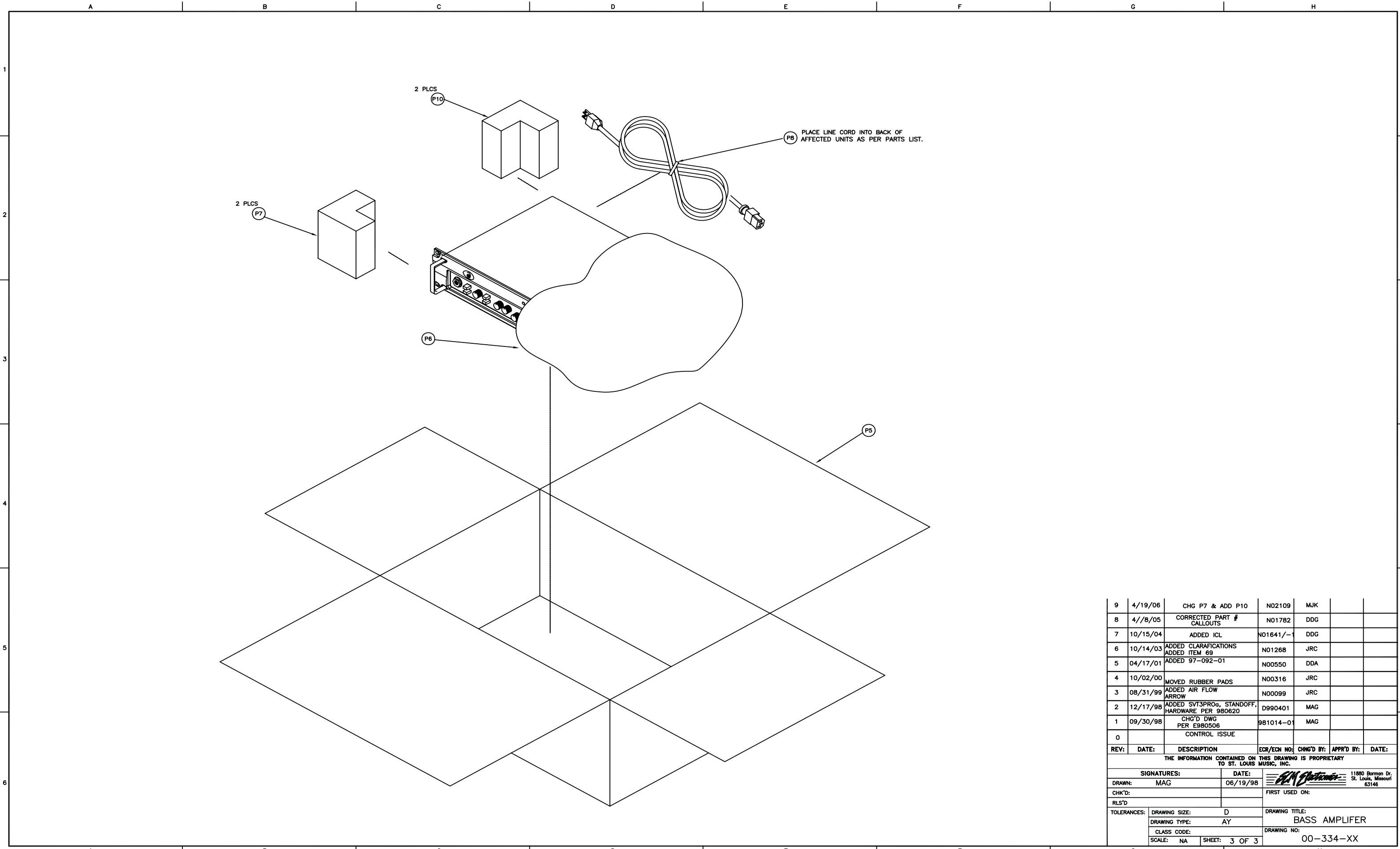



SEE NOTE 1

SEE NOTES 2 & 3

PWR XFMR	PRIMARY	WIRE COLOR	DDM	J	W	U
		VIOLET	J22	J22	J23	J23
		GRAY	J35	J20	J35	J35
		BLUE	J29	J21	J29	J29
		BLACK/WHITE	J28	J28	J21	NOTE 5
		BROWN	J20	J35	J28	J28
		WHITE	J23	J23	J27	J27
		BLACK	J21	J29	NOTE 5	J21
	SECONDARY 6-PIN CONNECTOR	RED			J34	
		GREEN			J34	
		RED			J34	
		GREEN			J34	
		ORANGE			J34	
		ORANGE			J34	
		WIRE COLOR	DDM	J	W	U
			TAB CONNECTIONS			

9	4/19/06	CHG P7 & ADD P10	N02109	MJK		
8	4//8/05	CORRECTED PART # CALLOUTS	N01782	DDG		
7	10/15/04	ADDED ICL	N01641/-	DDG		
6	10/14/03	ADDED CLARIFICATIONS ADDED ITEM 69	N01268	JRC		
5	04/17/01	ADDED 97-092-01	N00550	DDA		
4	10/02/00	MOVED RUBBER PADS	N00316	JRC		
3	08/31/99	ADDED AIR FLOW ARROW	N00099	JRC		
2	12/17/98	ADDED SVT3PROa, STANDOFF, HARDWARE PER 980620	D990401	MAG		
1	09/30/98	CHG'D DWG PER E980506	981014-01	MAG		
0		CONTROL ISSUE				
REV:	DATE:	DESCRIPTION	ECR/ECN NO:	CHNG'D BY:	APPR'D BY:	DATE:
THE INFORMATION CONTAINED ON THIS DRAWING IS PROPRIETARY TO ST. LOUIS MUSK, INC.						
SIGNATURES:		DATE:		11880 Borman Dr. St. Louis, Missouri 63146		
DRAWN: MAG		06/19/98		FIRST USED ON:		
CHK'D:				DRAWING TITLE: BASS AMPLIFIER		
RLS'D:				DRAWING NO: 00-334-XX		
TOLERANCES:		DRAWING SIZE: D		SCALE: NA SHEET: 2 OF 3		
		DRAWING TYPE: AY				



9	4/19/06	CHG P7 & ADD P10	N02109	MJK		
8	4//8/05	CORRECTED PART # CALLOUTS	N01782	DDG		
7	10/15/04	ADDED ICL	N01641/-1	DDG		
6	10/14/03	ADDED CLARIFICATIONS ADDED ITEM 69	N01268	JRC		
5	04/17/01	ADDED 97-092-01	N00550	DDA		
4	10/02/00	MOVED RUBBER PADS	N00316	JRC		
3	08/31/99	ADDED AIR FLOW ARROW	N00099	JRC		
2	12/17/98	ADDED SVT3PRO <sub>g</sub> STANDOFF, HARDWARE PER 980620	D990401	MAG		
1	09/30/98	CHG'D DWG PER E980506	981014-01	MAG		
0		CONTROL ISSUE				
REV:	DATE:	DESCRIPTION	ECR/ECN NO:	CHNG'D BY:	APPR'D BY:	DATE:
THE INFORMATION CONTAINED ON THIS DRAWING IS PROPRIETARY TO ST. LOUIS MUSK, INC.						
SIGNATURES:		DATE:	 11880 Borman Dr. St. Louis, Missouri 63146			
DRAWN: MAG		06/19/98				
CHK'D:			FIRST USED ON:			
RLS'D						
TOLERANCES:		DRAWING SIZE: D	DRAWING TITLE: BASS AMPLIFER			
		DRAWING TYPE: AY	DRAWING NO:			
		CLASS CODE:	DRAWING NO: 00-334-XX			
		SCALE: NA	SHEET: 3 OF 3			