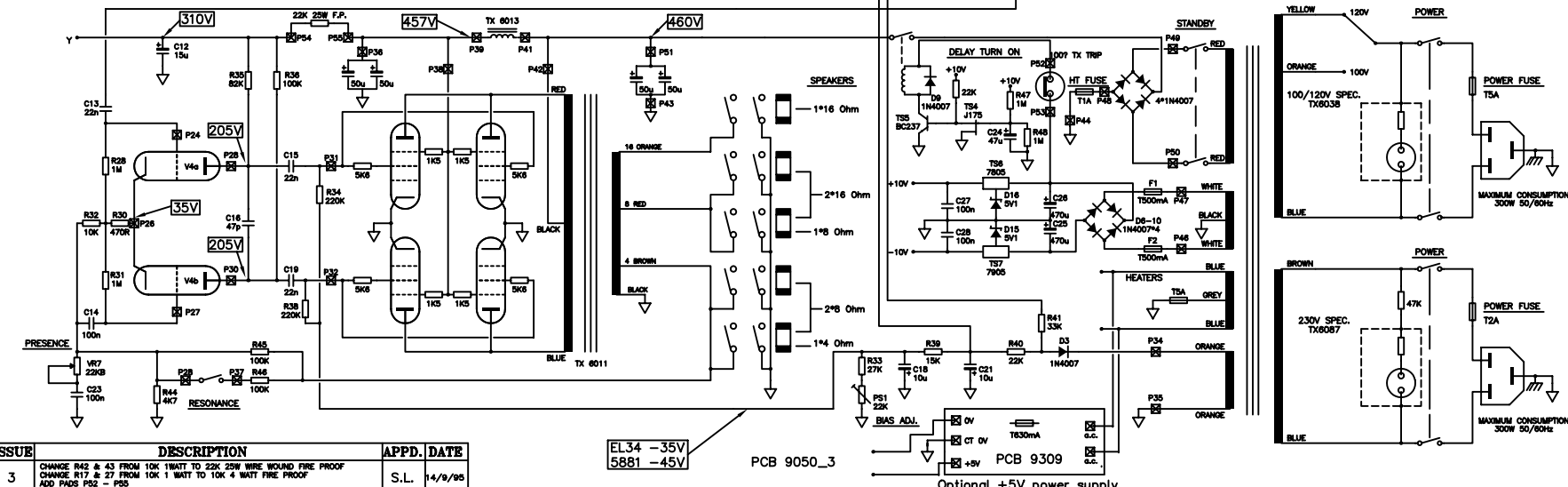
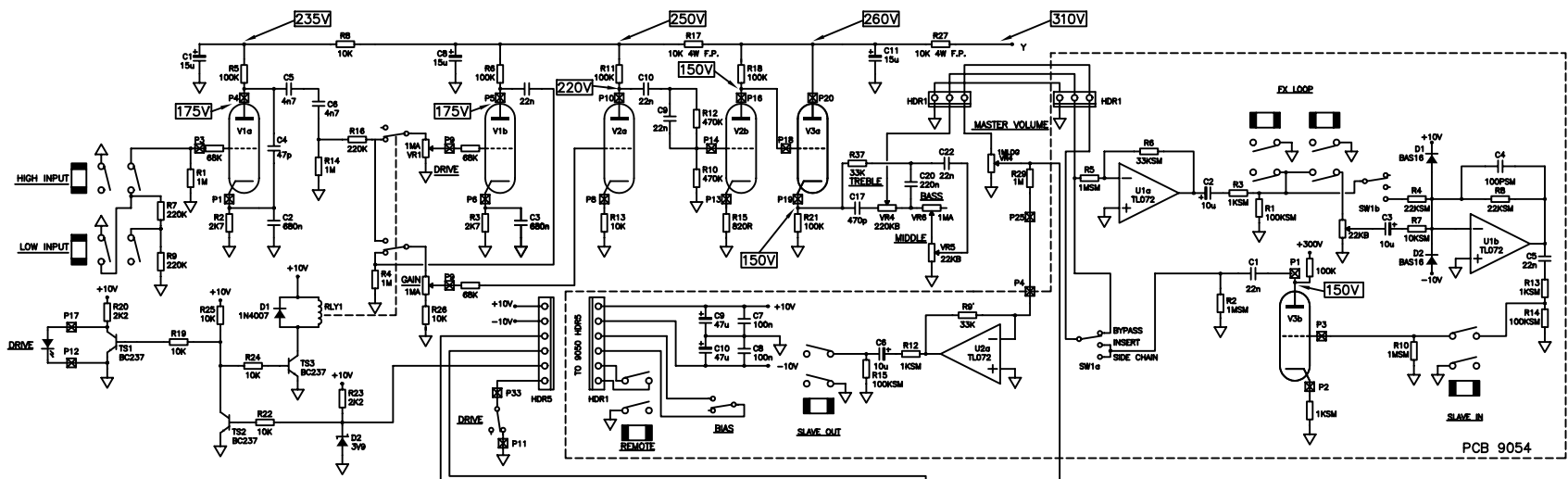


Laney

Service Diagrams



ISSUE	DESCRIPTION	APPD.	DATE
3	CHANGE R42 & 43 FROM 10K 1WATT TO 22K 22W WIRE WOUND FIRE PROOF CHANGE R17 & 27 FROM 10K 1 WATT TO 10K 4 WATT FIRE PROOF ADD PA2S P52 = P55 ADD 1000P TRIP TO POWER TX ADD P2 AS T830mA ADD 2XCHASSIS MOUNTED FUSE CARRIERS WITH TSA TO HEATER WINDINGS CHANGE TX FROM 6037 TO A 8087 230V POWER TX	S.L.	14/9/85
4	Option added for regulated +5V supply for V1 dependent on valve manufacturer	R.J.F	8/10/98

LANEY

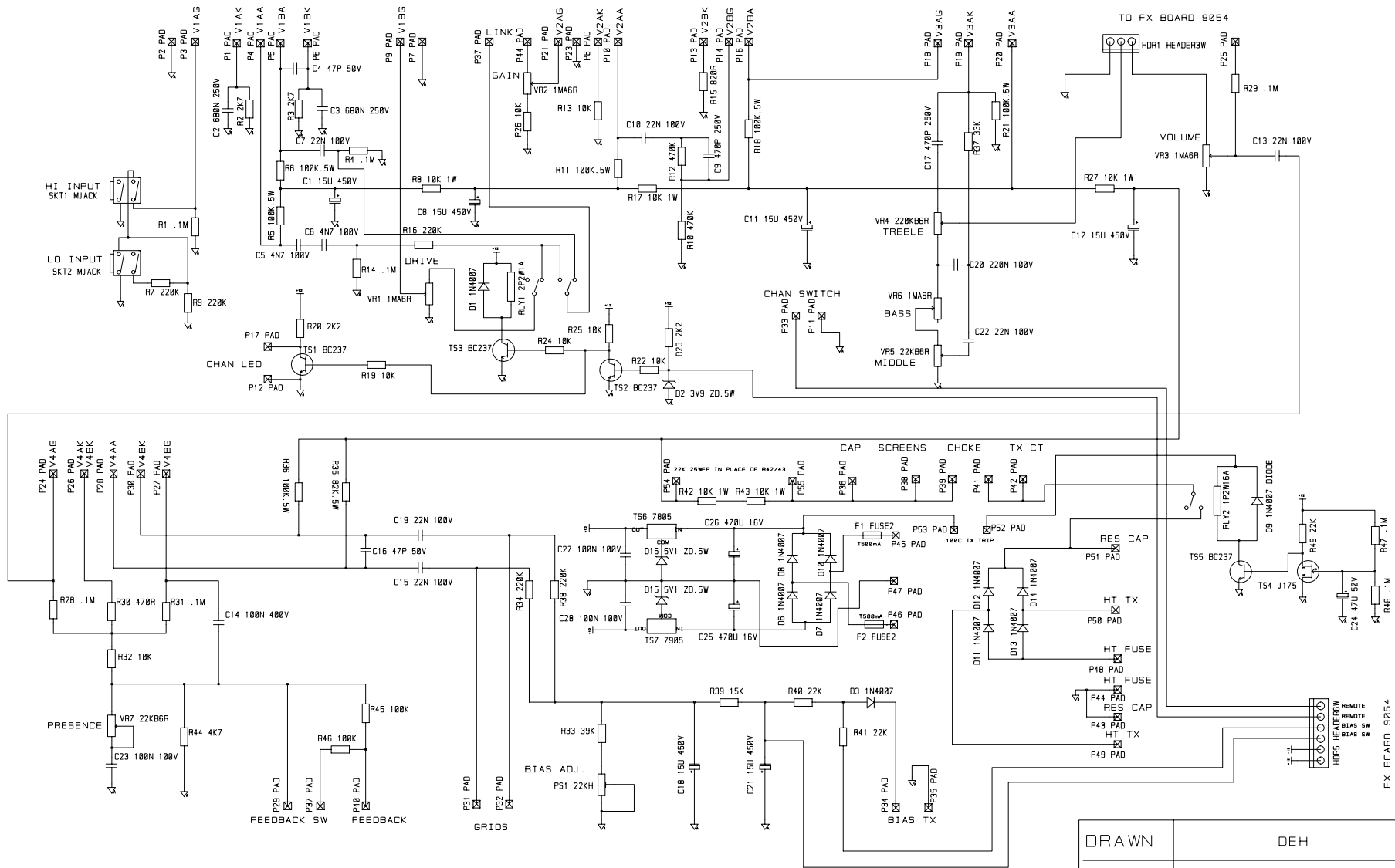
GH100L
CIRCUIT

PART No

DRAWN	TRACED	CHECKED	APPROVED	DATE
D.E.H.				25/7/94
DRAWING No.			2188	

EL34 -35V
5881 -45V

Optional +5V power supply

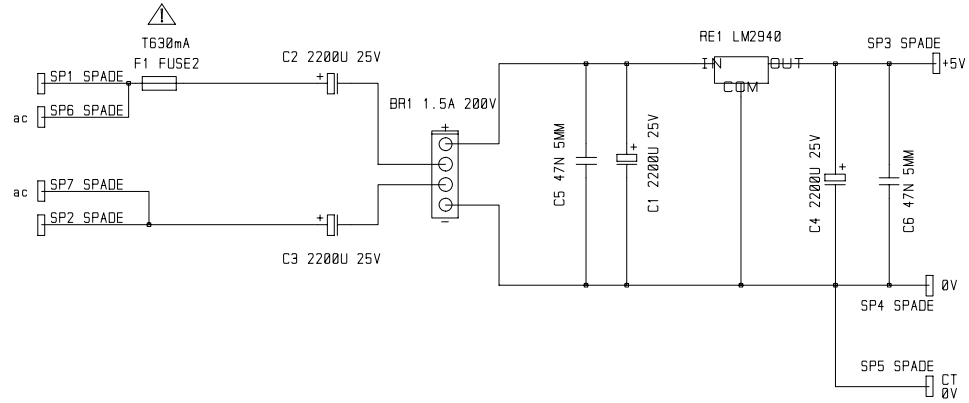


DRAWN	DEH
DATE	22/08/95
TITLE	GH100/50L MAIN PCB
DRW. NO.	9050_3

ISSUE

TYPE

Replace with correct type and rating



DRAWN	R. J. F
DATE	23/09/98
TITLE	Heater PSU PCB
DRG. NO.	PCB 9309

ISSUE

TYPE