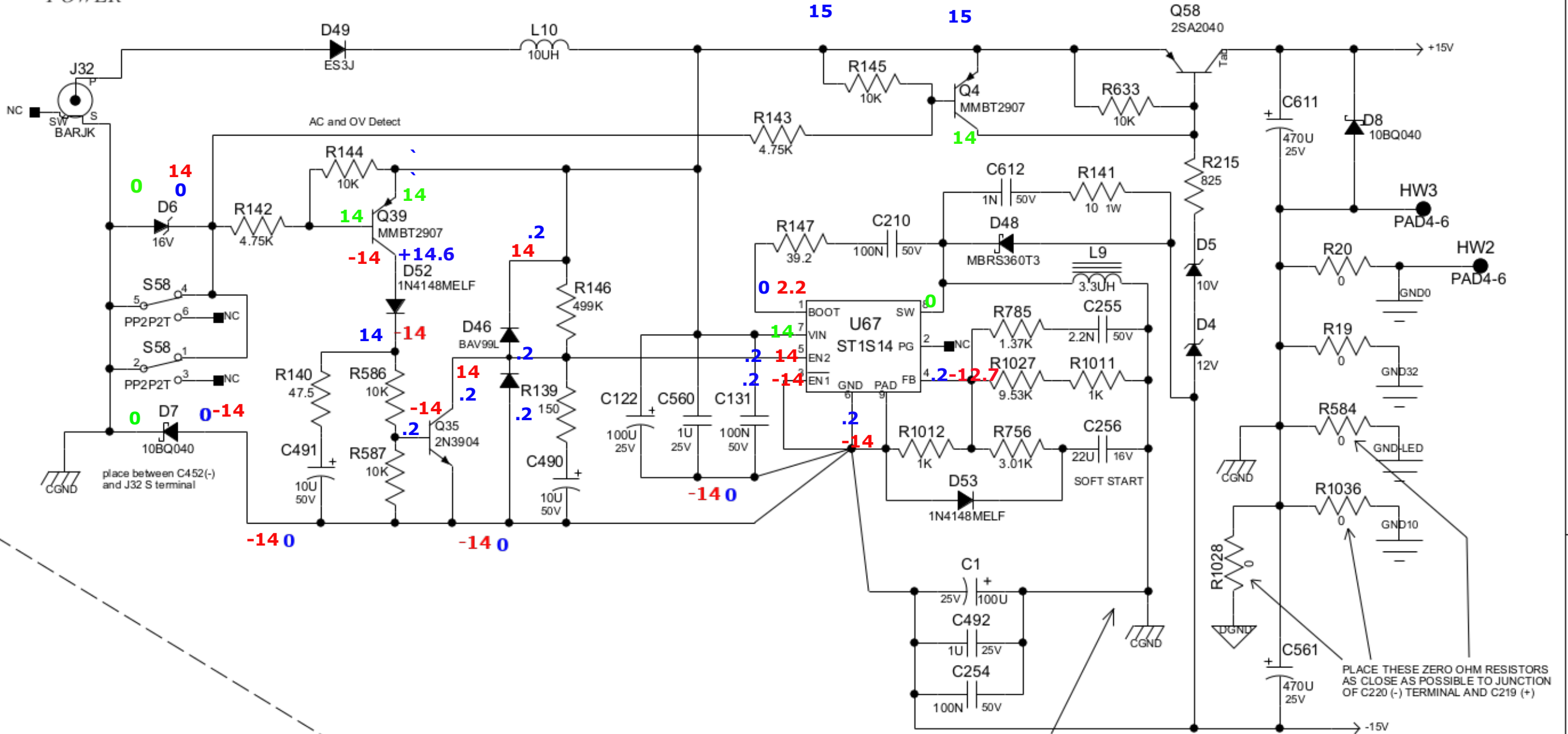


POWER



TIE THIS GND DIRECTLY TO PWR INPUT JACK J26

PLACE THESE ZERO OHM RESISTORS AS CLOSE AS POSSIBLE TO JUNCTION OF C220 (-) TERMINAL AND C219 (+)