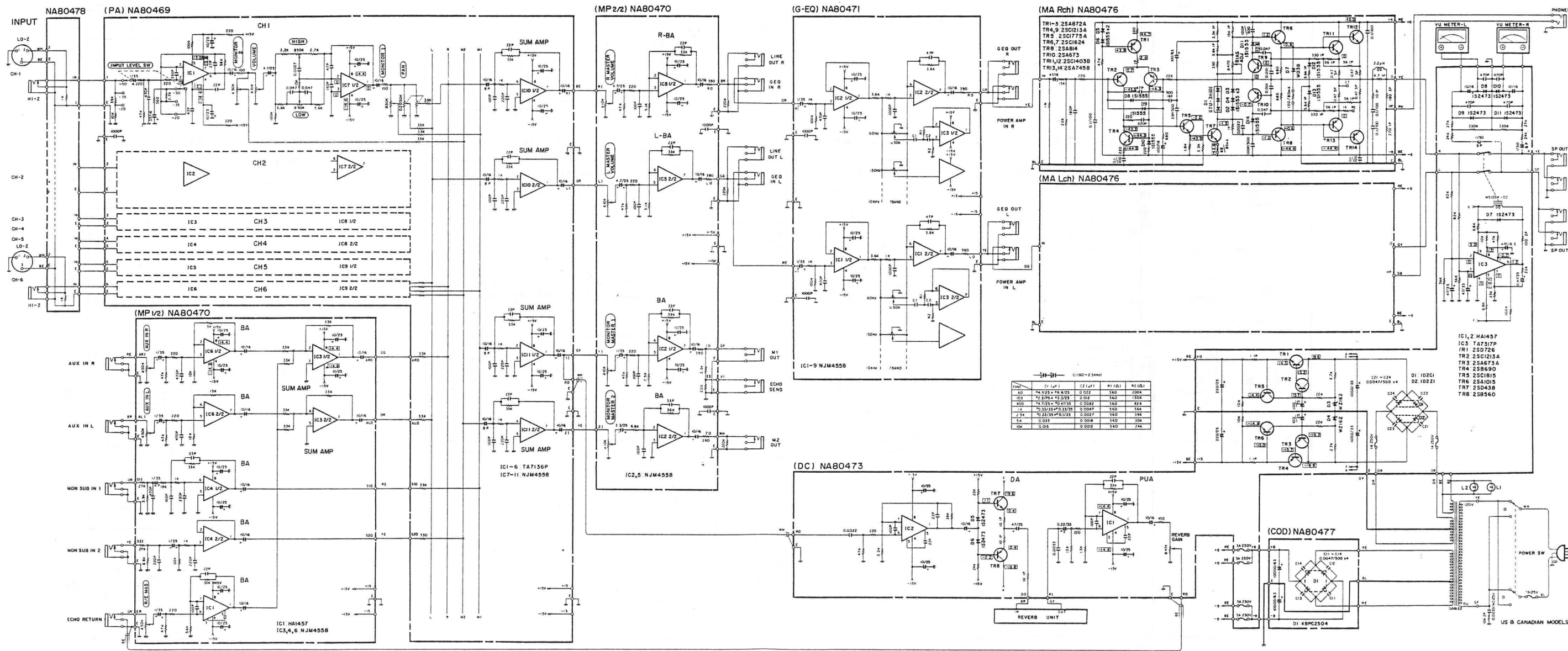
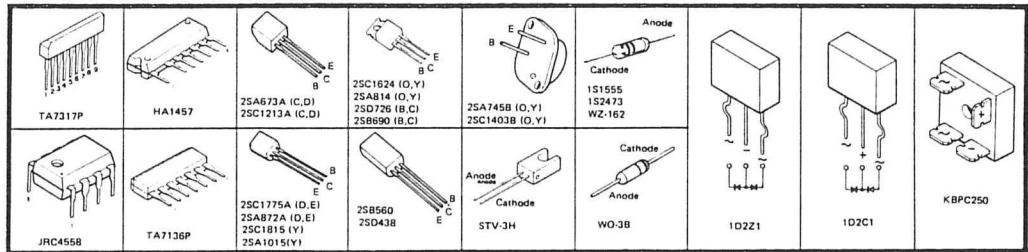


SCHEMATIC DIAGRAM



Part No.	QTY	Part No.	QTY	Part No.	QTY
100	4	101	2	102	2
103	2	104	2	105	2
106	2	107	2	108	2
109	2	110	2	111	2
112	2	113	2	114	2
115	2	116	2	117	2
118	2	119	2	120	2
121	2	122	2	123	2
124	2	125	2	126	2
127	2	128	2	129	2
130	2	131	2	132	2
133	2	134	2	135	2
136	2	137	2	138	2
139	2	140	2	141	2
142	2	143	2	144	2
145	2	146	2	147	2
148	2	149	2	150	2
151	2	152	2	153	2
154	2	155	2	156	2
157	2	158	2	159	2
160	2	161	2	162	2
163	2	164	2	165	2
166	2	167	2	168	2
169	2	170	2	171	2
172	2	173	2	174	2
175	2	176	2	177	2
178	2	179	2	180	2
181	2	182	2	183	2
184	2	185	2	186	2
187	2	188	2	189	2
190	2	191	2	192	2
193	2	194	2	195	2
196	2	197	2	198	2
199	2	200	2	201	2
202	2	203	2	204	2
205	2	206	2	207	2
208	2	209	2	210	2
211	2	212	2	213	2
214	2	215	2	216	2
217	2	218	2	219	2
220	2	221	2	222	2
223	2	224	2	225	2
226	2	227	2	228	2
229	2	230	2	231	2
232	2	233	2	234	2
235	2	236	2	237	2
238	2	239	2	240	2
241	2	242	2	243	2
244	2	245	2	246	2
247	2	248	2	249	2
250	2	251	2	252	2
253	2	254	2	255	2
256	2	257	2	258	2
259	2	260	2	261	2
262	2	263	2	264	2
265	2	266	2	267	2
268	2	269	2	270	2
271	2	272	2	273	2
274	2	275	2	276	2
277	2	278	2	279	2
280	2	281	2	282	2
283	2	284	2	285	2
286	2	287	2	288	2
289	2	290	2	291	2
292	2	293	2	294	2
295	2	296	2	297	2
298	2	299	2	300	2

PIN-CONNECTION DIAGRAM OF TRANSISTORS, DIODES AND IC.



NO MARK	Carbon Resistor
1P, 2P, 3P	Metalized Oxidation Resistor
5 P	Cement Molded Resistor
⊙	Metal Plate Resistor
C	Tantalum Capacitor

● WIRE COLOR ABBREVIATIONS

- BL ▶ Black
- BR ▶ Brown
- RE ▶ Red
- OR ▶ Orange
- YE ▶ Yellow
- GR ▶ Green
- BE ▶ Blue
- VI ▶ Violet
- GY ▶ Gray
- WH ▶ White
- GG ▶ Grass Green
- SB ▶ Sky Blue
- PK ▶ Pink

GENERAL MODEL

