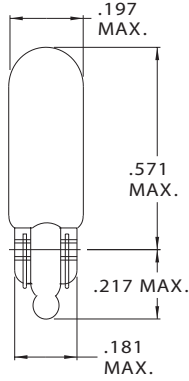


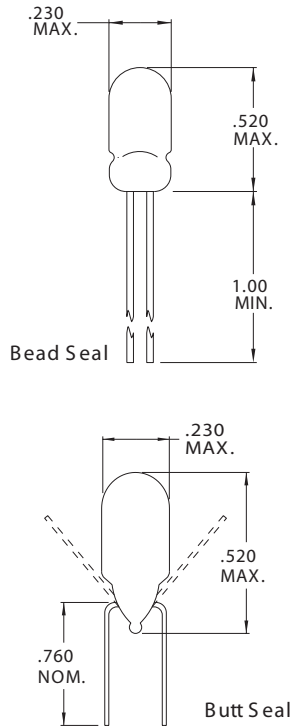


T-1 1/2 Wedge Base



Part Number	Design Voltage	Amps	MSCP	Life Hours	Filament Type
CM6502	4.0	.250	.200	1,000	C-2V
CM1103	6.0	.030	.024	1,000	C-2R
CM1104	6.0	.080	.070	5,000	C-2V
CM3105	6.0	.167	.300	5,000	C-2R
CM6516	6.0	.178	.720	1,000	C-2R
CM6521	6.0	.167	.480	1,000	C-2R
CM6522	6.0	.030	.040	1,000	C-2V
CM6515	7.0	.035	.040	1,000	C-2V
CM1107	12.0	.030	.080	1,000	C-2V
CM1108	12.0	.080	.240	5,000	C-2R
CM286	13.5	.090	.570	200	C-2V
CM1111	24.0	.040	.240	5,000	C-2F
CM3110	24.0	.030	.100	5,000	C-2F

T-1 3/4 Wire Terminal



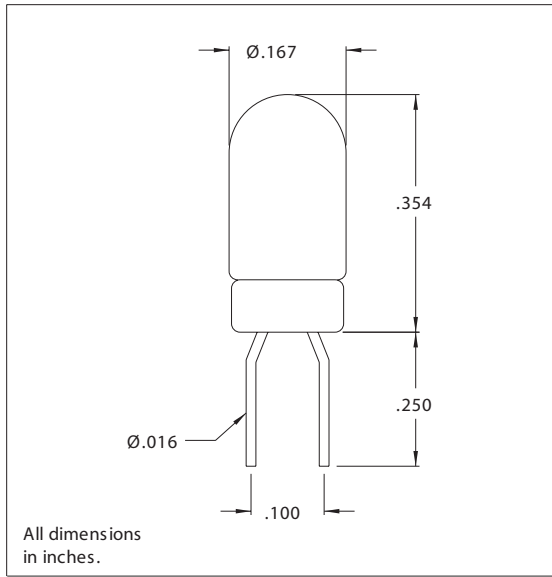
Part Number	Design Voltage	Amps	MSCP	Life Hours	Filament Type
CM2184	1.30	.050	.020	30	S-2
CM1728	1.35	.060	.010	500	C-6
CM2119	2.00	.060	.001	5,000	C-2R
CM1783	2.50	.200	.220	500	C-2R
CM2169	2.50	.350	.200	10,000	C-2R
CM2264	2.50	.400	.280	5,000	C-2R
CM1738	2.70	.060	.040	6,000	C-2R
CM2129	3.00	.300	.340	1,500	C-2R
CM2156	3.00	.030	.020	1,800	C-6
CM2158	3.00	.015	.004	10,000	C-6
CM8847	3.00	.350	.300	10,000	C-2R
CM2171	4.50	.120	.040	25,000	C-2F
CM2200	5.00	.060	.050	25,000	C-2R
CM2203	5.00	.115	.150	40,000	C-2R
CM3151	5.00	.060	.150	5,000	C-2R
CM3626	5.00	.060	.050	25,000	C-2R
CM3627	5.00	.220	.600	30,000	C-2R
CM3628	5.00	.220	.600	30,000	C-2R
CM3950	5.00	.017	.018	2,000	C-2R
CM8784	5.00	.190	.450	1,000	C-2R
CM8805	5.00	.060	.030	60,000	C-2R
CM1730	6.00	.040	.030	10,000	C-2V
CM1784	6.00	.200	.600	1,000	C-2R
CM2191	6.00	.036	.010	40,000	C-2V
CM8664	6.00	.200	.100	50,000	C-2F

Chicago Miniature Lamp reserves the right to make specification revisions that enhance the design and/or performance of the product



T-1 1/4 All Glass Bi-Pin (.100" IBP)

DESCRIPTION AND FEATURES



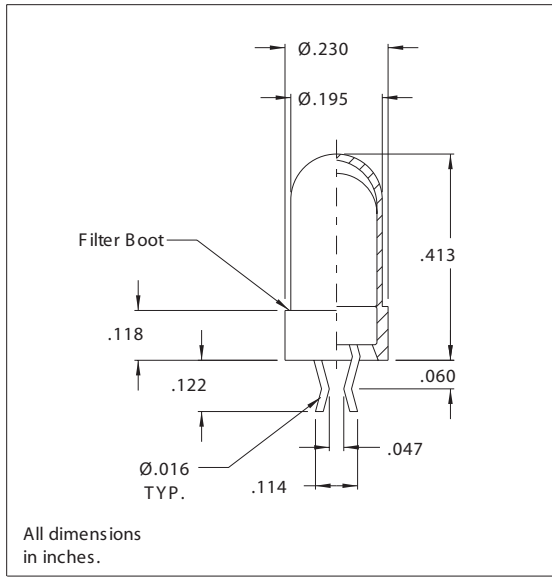
ELECTRICAL CHARACTERISTICS

Part Number	Design Voltage	Amps	MSCP	Life Hours	Filament Type
D30-1	5.0	.060	.05	40,000	C-2R
D30-2	5.0	.075	.09	25,000	C-2R
D30-3	5.0	.115	.15	30,000	C-2R
D30-4	6.3	.100	.20	5,000	C-2R
D30-5	6.3	.200	.40	40,000	C-2V
D30-6	14.0	.040	.09	16,000	C-2V
D30-7	14.0	.040	.12	16,000	C-2V
D30-8	14.0	.040	.15	16,000	C-2V
D30-9	14.0	.065	.16	10,000	C-2V
D30-10	14.0	.080	.30	15,000	C-2V
D30-11	14.0	.100	.50	10,000	C-2V
D30-12	28.0	.035	.10	20,000	C-2F
D30-13	28.0	.040	.30	4,000	C-2F



T-1 1/4 All Glass PCB Mount Bi-Pin Incandescent Lamp with Filter Boot

DESCRIPTION AND FEATURES



ELECTRICAL CHARACTERISTICS

Part Number	Design Voltage	Amps	MSCP* Nom.	Life Hours	Filament Type
D1R-1	5.0	.060	.05	40,000	C-2R
D1R-2	5.0	.075	.09	25,000	C-2R
D1R-3	5.0	.115	.15	30,000	C-2R
D1R-4	6.3	.100	.20	5,000	C-2R
D1R-5	6.3	.200	.40	40,000	C-2V
D1R-6	14.0	.040	.09	16,000	C-2V
D1R-7	14.0	.040	.12	16,000	C-2V
D1R-8	14.0	.040	.15	16,000	C-2V
D1R-9	14.0	.065	.16	10,000	C-2V
D1R-10	14.0	.080	.30	15,000	C-2V
D1R-11	14.0	.100	.50	10,000	C-2V
D1R-12	28.0	.035	.10	20,000	C-2F
D1R-13	28.0	.040	.30	4,000	C-2F

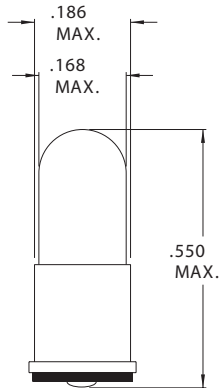
* MSCP value is without filter boot.

Filter boots are formulated to meet specific color requirements. Please contact the factory for availability regarding your color needs.

Chicago Miniature Lamp reserves the right to make specification revisions that enhance the design and/or performance of the product

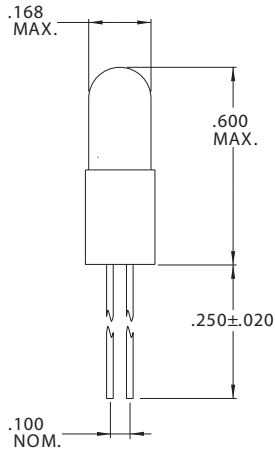


T-1 1/4 Special Midget Flange Base



Part Number	Design Voltage	Amps	MSCP	Life Hours	Filament Type
CM7302	1.30	.030	.006	100	S-2
CM8636	1.35	.060	.006	500	C-2R
CM8656	2.50	.400	.550	30	C-2R
CM8637	3.00	.190	.250	350	C-2R
CM3518	5.00	.115	.150	40,000	C-2R
CM3582	5.00	.060	.030	60,000	C-2R
CM3585	5.00	.060	.050	25,000	C-2R
CM8541	6.00	.060	.130	3,000	C-2R
CM8628	6.00	.200	.630	1,000	C-2R
CM8551	6.30	.200	.550	5,000	C-2R
CM8646	14.00	.080	.500	1,000	C-2F
CM737	28.00	.050	.300	16,000	C-2F
CM8632	28.00	.040	.320	1,000	C-2F

T-1 1/4 Bi-Pin Base (.100")



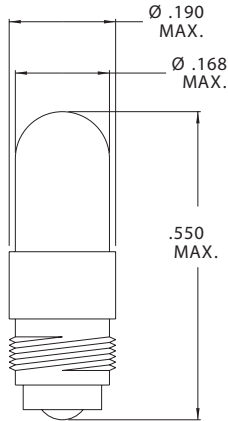
Part Number	Design Voltage	Amps	MSCP	Life Hours	Filament Type
CM7306	1.30	.030	.006	100	S-2
CM7636	1.35	.060	.006	500	C-2R
CM7307	2.50	.400	.550	30	C-2R
CM7637	3.00	.190	.250	350	C-2R
CM7515	5.00	.115	.150	40,000	C-2R
CM7580	5.00	.060	.030	60,000	C-2R
CM7583	5.00	.060	.050	25,000	C-2R
CM7309	6.00	.060	.130	3,000	C-2R
CM7628	6.00	.200	.630	1,000	C-2R
CM7310	6.30	.200	.550	5,000	C-2R
CM7646	14.00	.080	.500	1,000	C-2F
CM7052	28.00	.030	.200	5,000	C-2F
CM7632	28.00	.040	.320	1,000	C-2F

147 Central Avenue
 Hackensack, New Jersey 07601
 Tel: 201-489-8989 • Fax: 201-489-6911



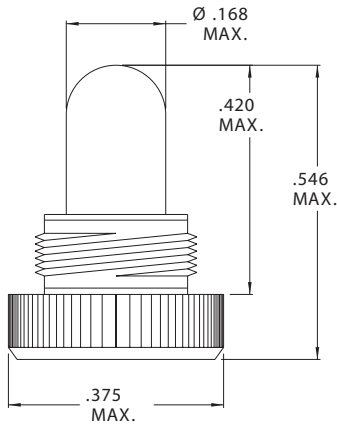
CHICAGO MINIATURE LAMP, INC.
 WHERE INNOVATION COMES TO LIGHT

T-1 1/4 Special Screw Base



Part Number	Design Voltage	Amps	MSCP	Life Hours	Filament Type
CM7303	1.30	.030	.006	100	S-2
CM8641	1.35	.060	.006	500	C-2R
CM329	2.50	.400	.550	30	C-2R
CM325	3.00	.190	.250	350	C-2R
CM3515	5.00	.115	.150	40,000	C-2R
CM3580	5.00	.060	.030	60,000	C-2R
CM3583	5.00	.060	.050	25,000	C-2R
CM371	6.00	.060	.130	3,000	C-2R
CM8645	6.00	.200	.630	1,000	C-2R
CM8552	6.30	.200	.550	5,000	C-2R
CM8644	14.00	.080	.500	1,000	C-2F
CM8635	28.00	.050	.320	1,000	C-2F

T-1 1/4 Knurled Screw Base



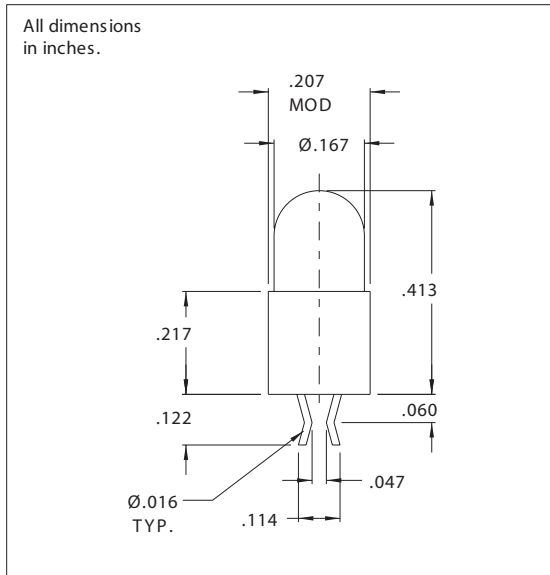
Part Number	Design Voltage	Amps	MSCP	Life Hours	Filament Type
CM7301	1.30	.030	.006	100	S-2
CM8647	1.35	.060	.006	500	C-2R
CM326	2.50	.400	.550	30	C-2R
CM323	3.00	.190	.250	350	C-2R
CM3516	5.00	.115	.150	40,000	C-2R
CM3581	5.00	.060	.030	60,000	C-2R
CM3584	5.00	.060	.050	25,000	C-2R
CM8543	6.00	.060	.130	3,000	C-2R
CM8639	6.00	.200	.630	1,000	C-2R
CM8553	6.30	.200	.550	5,000	C-2R
CM8654	14.00	.080	.500	1,000	C-2F
CM8623	28.00	.040	.320	1,000	C-2F

Chicago Miniature Lamp reserves the right to make specification revisions that enhance the design and/or performance of the product



T-1 1/4 PCB Mount Bi-Pin Incandescent Lamp

DESCRIPTION AND FEATURES



ELECTRICAL CHARACTERISTICS

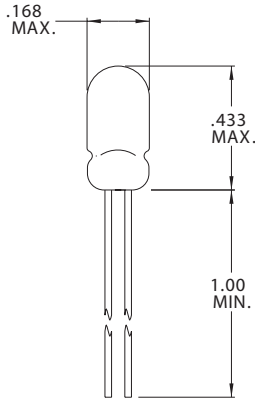
Part Number	Design Voltage	Amps	MSCP Nom.	Life Hours	Filament Type
PC H51-1	5.0	.060	.05	40,000	C-2R
PC H51-2	5.0	.075	.09	25,000	C-2R
PC H51-3	5.0	.115	.15	30,000	C-2R
PC H51-4	6.3	.100	.20	5,000	C-2R
PC H51-5	6.3	.200	.40	40,000	C-2V
PC H51-6	14.0	.040	.09	16,000	C-2V
PC H51-7	14.0	.040	.12	16,000	C-2V
PC H51-8	14.0	.040	.15	16,000	C-2V
PC H51-9	14.0	.065	.16	10,000	C-2V
PC H51-10	14.0	.080	.30	15,000	C-2V
PC H51-11	14.0	.100	.50	10,000	C-2V
PC H51-12	28.0	.035	.10	20,000	C-2F
PC H51-13	28.0	.040	.30	4,000	C-2F

147 Central Avenue
 Hackensack, New Jersey 07601
 Tel: 201-489-8989 • Fax: 201-489-6911



CHICAGO MINIATURE LAMP, INC.
 WHERE INNOVATION COMES TO LIGHT

T-1 1/4 Wire Terminal



Part Number	Design Voltage	Amps	MSCP	Life Hours	Filament Type
CM2135	1.30	.030	.006	100	S-2
CM8631	1.35	.060	.006	500	C-2R
CM8655	2.50	.400	.550	30	C-2R
CM324	3.00	.190	.250	350	C-2R
CM7762	3.00	.030	.020	2,000	C-6
CM7778	3.00	.015	.003	10,000	C-6
CM515	5.00	.115	.150	40,000	C-2R
CM580	5.00	.060	.030	60,000	C-2R
CM583	5.00	.060	.050	25,000	C-2R
CM7761	5.00	.115	.150	2,000	C-6
CM7779	5.00	.060	.050	40,000	C-6
CM7780	5.00	.060	.030	10,000	C-6
CM8515	5.00	.115	.150	40,000	C-2R
CM634	6.00	.200	.630	1,000	C-2R
CM2114	6.00	.060	.130	3,000	C-2R
CM7760	6.00	.200	.600	2,000	C-6
CM7783	6.00	.060	.130	3,000	C-2V
CM7757	6.30	.200	.400	50,000	C-2V
CM7758	6.30	.075	.150	3,000	C-2V
CM7759	6.30	.040	.020	25,000	C-2V
CM7782	6.30	.200	.550	5,000	C-2V
CM8610	6.30	.200	.550	5,000	C-2R
CM7755	10.00	.040	.080	10,000	C-2F
CM7756	10.00	.015	.002	50,000	C-2F
CM7784	12.00	.040	.100	10,000	C-2F
CM7752	14.00	.080	.300	10,000	C-2F
CM7753	14.00	.080	.200	10,000	C-2F
CM7754	14.00	.065	.160	15,000	C-2F
CM7781	14.00	.080	.500	10,000	C-2F
CM8640	14.00	.080	.500	1,000	C-2F
CM7785	18.00	.040	.150	10,000	C-2F
CM7763	24.00	.050	.500	2,000	C-2F
CM7770	24.00	.035	.150	8,000	C-2F
CM7764	28.00	.024	.150	5,000	C-2F
CM7765	28.00	.025	.080	15,000	C-2F
CM7766	28.00	.040	.200	10,000	C-2F
CM7767	28.00	.040	.340	1,000	C-2F
CM7786	28.00	.040	.300	7,000	C-2F
CM8627	28.00	.040	.320	1,000	C-2F

Chicago Miniature Lamp reserves the right to make specification revisions that enhance the design and/or performance of the product