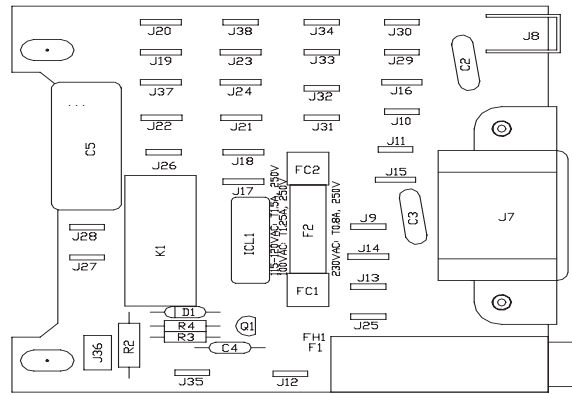


NOTES

- 1) CAUTION: SHOCK HAZARD!! THIS UNIT CONTAINS HAZARDOUS VOLTAGE. DISCONNECT POWER AND BE SURE POWER SUPPLY IS DISCHARGED BEFORE TOUCHING INTERNAL PARTS.
- 2) UNLESS NOTED, RESISTOR VALUES IN OHMS, 1/4W-5% TOL. CAPACITOR VALUES IN MICROFARADS, 50V-10% TOL.
- 3) VOLTAGES ARE MEASURED WITH 1 MEGOHM OSCILLOSCOPE AND 10 MEGOHM DIGITAL VOLTMETER.
- 4) CIRCUIT GROUND \oplus DIRTY GROUND ∇ CHASSIS GROUND ∇
- 5) GOOD PRACTICE PER USUAL PRACTICE.



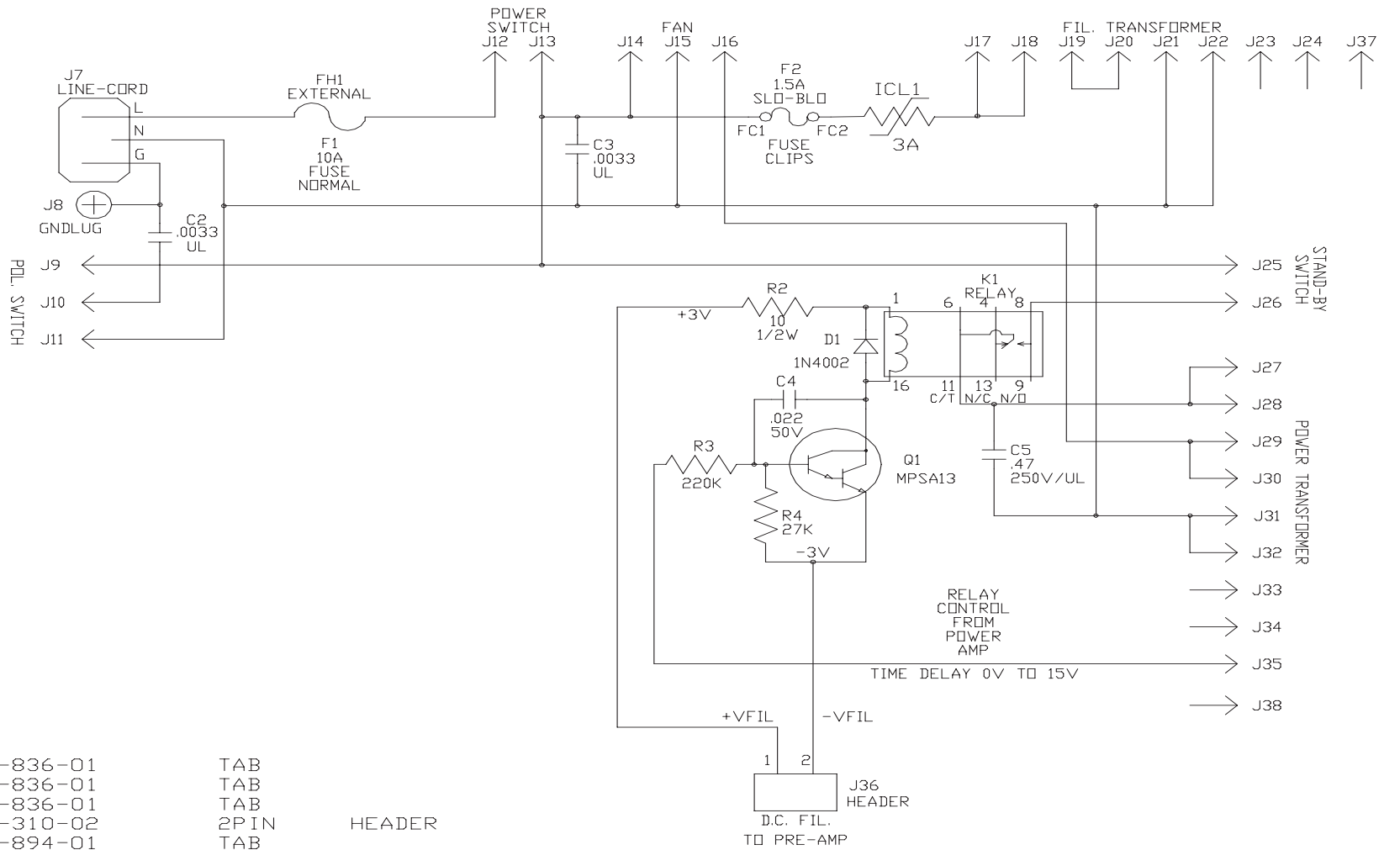
< AC TERMINATION >

DESIGNATOR	PART#	DESCRIPTION
C2	10-332-01	0.0033 UL
C3	10-332-01	0.0033 UL
C4	10A223-01	0.022 50V
C5	10-474-26	0.47 250V/UL
D1	21A402-01	1N4002
FC1	23-926-02	FUSE CLIP
FC2	23-926-02	FUSE CLIP
FH1	23-346-01	FUSE HOLDER
ICL1	73-50-03	3A INRUSH LIMITER
J7	17-604-01	LINE-CORD CONNECTOR
J8	51-149-01	GNDLUG
J9	17-894-01	TAB
J10	17-894-01	TAB
J11	17-894-01	TAB
J12	17-836-01	TAB
J13	17-836-01	TAB
J14	17-894-01	TAB
J15	17-894-01	TAB
J16	17-894-01	TAB
J17	17-894-01	TAB
J18	17-894-01	TAB
J19	17-894-01	TAB
J20	17-894-01	TAB
J21	17-894-01	TAB
J22	17-894-01	TAB
J23	17-894-01	TAB
J24	17-894-01	TAB
J25	17-836-01	TAB
J26	17-836-01	TAB
J27	17-836-01	TAB
J28	17-836-01	TAB
J29	17-836-01	TAB
J30	17-836-01	TAB
J31	17-836-01	TAB
J32	17-836-01	TAB

J33	17-836-01	TAB
J34	17-836-01	TAB
J35	17-836-01	TAB
J36	17-310-02	2PIN HEADER
J37	17-894-01	TAB
J38	17-836-01	TAB
K1	82-505-01	RELAY
Q1	96-013-01	MPSA13
R2	77-100-01	10 1/2W
R3	76-224-01	220K
R4	76-273-01	27K
F1	23-310-01	10A FUSE NORMAL
F2	23-308-05	1.5A FUSE SLO-BLO
PCB1	06A352-01	PWB

MISC. HARDWARE

< 2 >	30-638-53	SCREW
< 2 >	30-700-01	NUT
< 1 >	23-346-11	FUSE HOLDER CAP



REV	DATE	BY	CHK'D	DESCRIPTION
3				
2	10/19/04	DDG		CHG'D C5 & PCB1
1	11/14/97	SWR		ADDED J37, J38, & ICL1. PER ECO #970682.

SIGNATURES:		DATE:	
DRAWN:	SR	12/20/96	
CHK'D:	GM	04/07/97	
APP'D:	GM	04/07/97	
ORIGINAL ISSUED:		04/08/97	
PLOT DATE:		11/14/97	
PLOT TIME:		08:08:48	
FILE NAME:		31904p1_	

11880 BORMAN DR. ST. LOUIS, MISSOURI 63146	
PROJECT NAME:	
DRAWING NAME: AC-TERM BRD.	
DRAWING NO. 07P319-04	REV. 2
SCALE: 1:1	SHEET: 1 OF 1