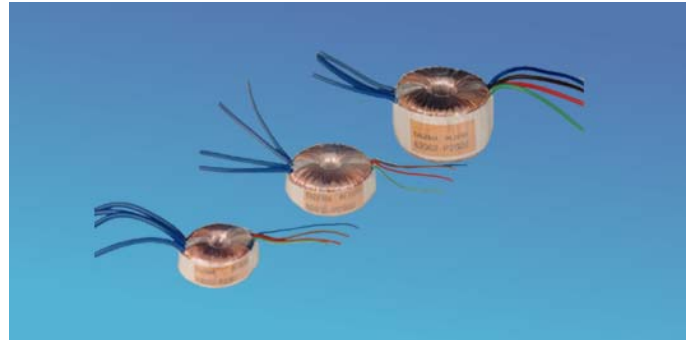


## Standard Miniature Toroidal Transformers

### Features

- Tapped 0-115-230V, 50/60Hz Primary windings suitable for 115V or 230V
- Lower strayfield
- High efficiency
- Reduced standby current
- Small size & low weight
- Extremely low level of radiated magnetic field
- Very low induced noise (hum)
- Very low iron loss
- Test Voltage Primary - Secondary 4.0 KV
- 100% electrical and flash tested
- Ambient operating temp.: +60°C Max.
- Insulation system recognized for Class A (105°C) meets all requirements of Class E (120°C)
- Manufactured in an ISO 9001:2015 and ISO 14001:2015 certified Talema facility
- Fully RoHS & REACH Compliant



### Standards

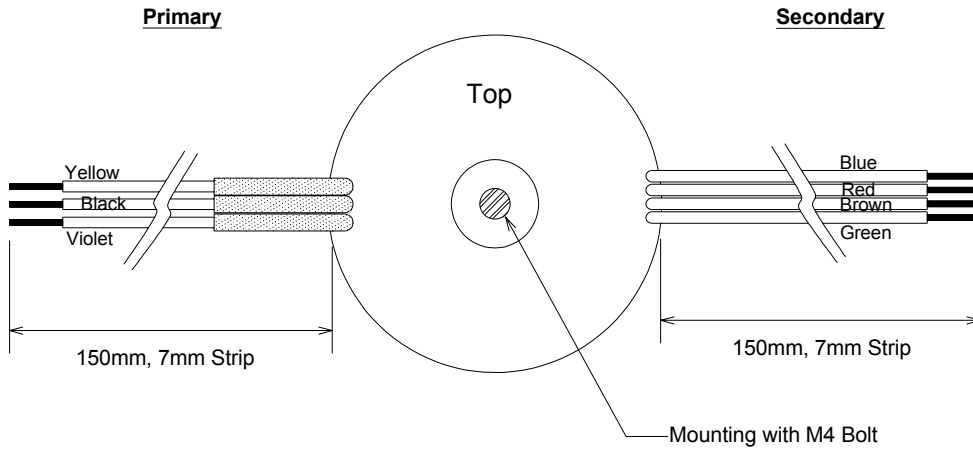
- High quality manufacturing and testing in accordance to EN61558, EN60950, EN60065 and BS415
- Tested and Approved by DEKRA to EN61558
- Recognized to UL5085, under family approval file E215495

| Power VA | Part Number<br>0 - 115 - 230V<br>Primary | Secondary Full Load Voltage V | Secondary Current mA | Open Circuit Voltage V |
|----------|--|-------------------------------|----------------------|------------------------|
| 1.6      | 60000                                    | 2 x 7                         | 114                  | 2 x 8.9                |
|          | 60001                                    | 2 x 9                         | 89                   | 2 x 11.6               |
|          | 60002                                    | 2 x 12                        | 67                   | 2 x 15.4               |
|          | 60003                                    | 2 x 15                        | 53                   | 2 x 19.3               |
|          | 60004                                    | 2 x 18                        | 44                   | 2 x 23.4               |
|          | 60005                                    | 2 x 22                        | 36                   | 2 x 28.2               |
| 3.2      | 60010                                    | 2 x 7                         | 229                  | 2 x 10.2               |
|          | 60011                                    | 2 x 9                         | 178                  | 2 x 13.0               |
|          | 60012                                    | 2 x 12                        | 133                  | 2 x 17.3               |
|          | 60013                                    | 2 x 15                        | 107                  | 2 x 21.4               |
|          | 60014                                    | 2 x 18                        | 89                   | 2 x 25.7               |
|          | 60015                                    | 2 x 22                        | 73                   | 2 x 30.5               |
| 5.0      | 60020                                    | 2 x 7                         | 357                  | 2 x 9.7                |
|          | 60021                                    | 2 x 9                         | 278                  | 2 x 12.4               |
|          | 60022                                    | 2 x 12                        | 208                  | 2 x 17.0               |
|          | 60023                                    | 2 x 15                        | 167                  | 2 x 21.3               |
|          | 60024                                    | 2 x 18                        | 139                  | 2 x 25.5               |
|          | 60025                                    | 2 x 22                        | 114                  | 2 x 30.5               |
| 7.0      | 60030                                    | 2 x 7                         | 500                  | 2 x 9.5                |
|          | 60031                                    | 2 x 9                         | 389                  | 2 x 12.2               |
|          | 60032                                    | 2 x 12                        | 292                  | 2 x 16.2               |
|          | 60033                                    | 2 x 15                        | 233                  | 2 x 20.3               |
|          | 60034                                    | 2 x 18                        | 194                  | 2 x 24.3               |
|          | 60035                                    | 2 x 22                        | 159                  | 2 x 29.7               |
| 10       | 60040                                    | 2 x 7                         | 714                  | 2 x 8.3                |
|          | 60041                                    | 2 x 9                         | 556                  | 2 x 10.8               |
|          | 60042                                    | 2 x 12                        | 417                  | 2 x 14.4               |
|          | 60043                                    | 2 x 15                        | 333                  | 2 x 18.0               |
|          | 60044                                    | 2 x 18                        | 278                  | 2 x 21.7               |
|          | 60045                                    | 2 x 22                        | 227                  | 2 x 26.3               |

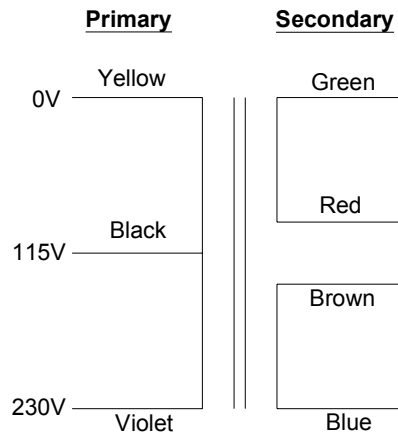
| Power VA | Part Number<br>0 - 115 - 230V<br>Primary | Secondary Full Load Voltage V | Secondary Current mA | Open Circuit Voltage V |
|----------|--|-------------------------------|----------------------|------------------------|
| 15       | 60050                                    | 2 x 7                         | 1071                 | 2 x 8.9                |
|          | 60051                                    | 2 x 9                         | 833                  | 2 x 11.1               |
|          | 60052                                    | 2 x 12                        | 625                  | 2 x 14.8               |
|          | 60053                                    | 2 x 15                        | 500                  | 2 x 18.5               |
|          | 60054                                    | 2 x 18                        | 417                  | 2 x 22.2               |
|          | 60055                                    | 2 x 22                        | 341                  | 2 x 27.2               |
| 25       | 60060                                    | 2 x 7                         | 1785                 | 2 x 8.3                |
|          | 60061                                    | 2 x 9                         | 1377                 | 2 x 10.7               |
|          | 60062                                    | 2 x 12                        | 1041                 | 2 x 14.2               |
|          | 60063                                    | 2 x 15                        | 832                  | 2 x 17.8               |
|          | 60064                                    | 2 x 18                        | 694                  | 2 x 21.4               |
|          | 60065                                    | 2 x 22                        | 568                  | 2 x 26.2               |
| 35       | 60070                                    | 2 x 7                         | 2500                 | 2 x 8.2                |
|          | 60071                                    | 2 x 9                         | 1944                 | 2 x 10.6               |
|          | 60072                                    | 2 x 12                        | 1458                 | 2 x 14.0               |
|          | 60073                                    | 2 x 15                        | 1166                 | 2 x 17.6               |
|          | 60074                                    | 2 x 18                        | 972                  | 2 x 20.9               |
|          | 60075                                    | 2 x 22                        | 795                  | 2 x 25.7               |
| 50       | 60080                                    | 2 x 7                         | 3571                 | 2 x 8.1                |
|          | 60081                                    | 2 x 9                         | 2777                 | 2 x 10.4               |
|          | 60082                                    | 2 x 12                        | 2083                 | 2 x 13.8               |
|          | 60083                                    | 2 x 15                        | 1666                 | 2 x 17.3               |
|          | 60084                                    | 2 x 18                        | 1388                 | 2 x 20.7               |
|          | 60085                                    | 2 x 22                        | 1136                 | 2 x 25.4               |

# Standard Miniature Toroidal Transformers

## Mechanical Drawing - 600xx Series (0-115V-230V Primary)



### Schematic



**Standard Output** (Electrical measurements @ 20°C ambient temperature)

| Power VA | Dimensions OD x ID x H mm | Weight grams | No Load Regulation Delta Volts (%) | Delta Temp Å °C | Efficiency % | No Load mA (typ.) | 230V Fuse mA | Secondary Power (Max.) |                    |                 |              |              |
|----------|---------------------------|--------------|------------------------------------|-----------------|--------------|-------------------|--------------|------------------------|--------------------|-----------------|--------------|--------------|
|          |                           |              |                                    |                 |              |                   |              | VA                     | Delta Volts Sec. % | Delta Temp Å °C | Efficiency % | Rec. Fuse mA |
| 1.6      | 37.5x7.0x17.0             | 71           | 29                                 | 10              | 77           | 1.0               | 32           | 2.0                    | 60                 | 30              | 60           | 32           |
| 3.2      | 42.0x7.0x17.5             | 89           | 41                                 | 20              | 70           | 1.5               | 32           | 3.7                    | 80                 | 40              | 50           | 50           |
| 5.0      | 47.0x6.0x18.0             | 115          | 45                                 | 29              | 70           | 2.0               | 50           | 5.5                    | 80                 | 40              | 50           | 63           |
| 7.0      | 47.0x6.8x21.5             | 145          | 34                                 | 25              | 74           | 3.0               | 63           | 7.5                    | 70                 | 40              | 60           | 80           |
| 10       | 53.5x6.8x23.5             | 216          | 20                                 | 24              | 82           | 3.0               | 80           | 12.0                   | 60                 | 45              | 60           | 100          |
| 15       | 57.5x7.0x24.0             | 262          | 23                                 | 27              | 81           | 4.0               | 100          | 16.0                   | 60                 | 40              | 65           | 125          |
| 25       | 58.0x13.8x34.5            | 388          | 19.0                               | 28              | 84           | 5.0               | 160          | --                     | --                 | --              | --           | --           |
| 35       | 72.0x17.0x33.5            | 453          | 17.7                               | 31              | 85           | 7.0               | 200          | --                     | --                 | --              | --           | --           |
| 50       | 78.0x22.5x35.0            | 670          | 15.5                               | 30              | 86           | 8.0               | 315          | --                     | --                 | --              | --           | --           |

**Regional Locations - Design, Manufacturing, Sales & Marketing**
**Talema Group Regional Offices**
**North America**
**United States  
(Sales & Marketing)**

**Talema Group, LLC**  
 PO Box 935  
 900 Innovation Drive  
 Suite 120, Rolla  
 Missouri 65402  
 Tel: +1 573-303-3675  
 E-Mail:  
[sales@talemagroup.com](mailto:sales@talemagroup.com)  
 Web: [www.talema.com](http://www.talema.com)

**Asia**
**India  
(Design, Manufacturing, Sales & Marketing)**

**Administrative Office**  
**Talema Electronic India Private Limited**  
 Door No. 221, 1st and 2nd Floor  
 KJ Plaza, Opp.to Vidya Mandir School  
 Meyanoor Main Road  
 Salem - 636 004 Tamil Nadu INDIA  
 Tel: +91 427 - 243 3100  
 Fax: +91 427 - 243 3109  
 E-Mail: [talema@talemaindia.net](mailto:talema@talemaindia.net)  
 Web: [www.talema.com](http://www.talema.com)

**Factory Premises**  
**Talema Electronic India Private Limited**  
 Plot Nos. 30, 31 Electrical and Electronic  
 Industrial Estate  
 Suramangalam  
 Salem - 636 005 Tamil Nadu INDIA  
 Tel: +91 427 - 243 3000  
 E-Mail: [talema@talemaindia.net](mailto:talema@talemaindia.net)  
 Web: [www.talema.com](http://www.talema.com)

**Europe**
**Germany  
(Design, Sales & Marketing)**

**Talema Elektronik GmbH**  
 Sembdnerstr. 5  
 82110 Germering  
 Tel: +49 89 - 841 00 - 0  
 Fax: +49 89 - 841 00 25  
 E-Mail: [info@talema.de](mailto:info@talema.de)  
 Web: [www.talema.com](http://www.talema.com)

**Ireland  
(Design, Sales & Marketing)**

**Nuvotem TEO**  
 Units W & X, Gweedore Business Park  
 Derrybeg, Letterkenny, Co. Donegal  
 Tel: +353 (0) 74 95 48666  
 Fax: +353 (0) 74 95 48139  
 E-Mail: [info@nuvotem.com](mailto:info@nuvotem.com)  
 Web: [www.nuvotem.com](http://www.nuvotem.com)

**Czech Republic  
(Design, Manufacturing, Sales & Marketing)**

**NT Magnetics s.r.o.**  
 Chebská 27  
 322 00 Plzeň  
 Tel: +420 377 - 338 351  
 Fax: +420 377 - 338 350  
 E-Mail: [talema@talema.cz](mailto:talema@talema.cz)  
 Web: [www.ntmagnetics.cz](http://www.ntmagnetics.cz)

**Locations of Talema Group Regional Offices**
