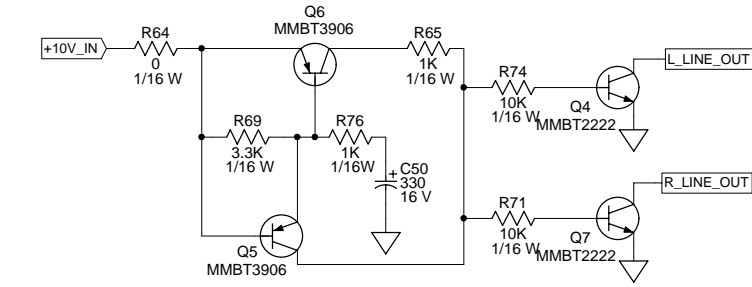
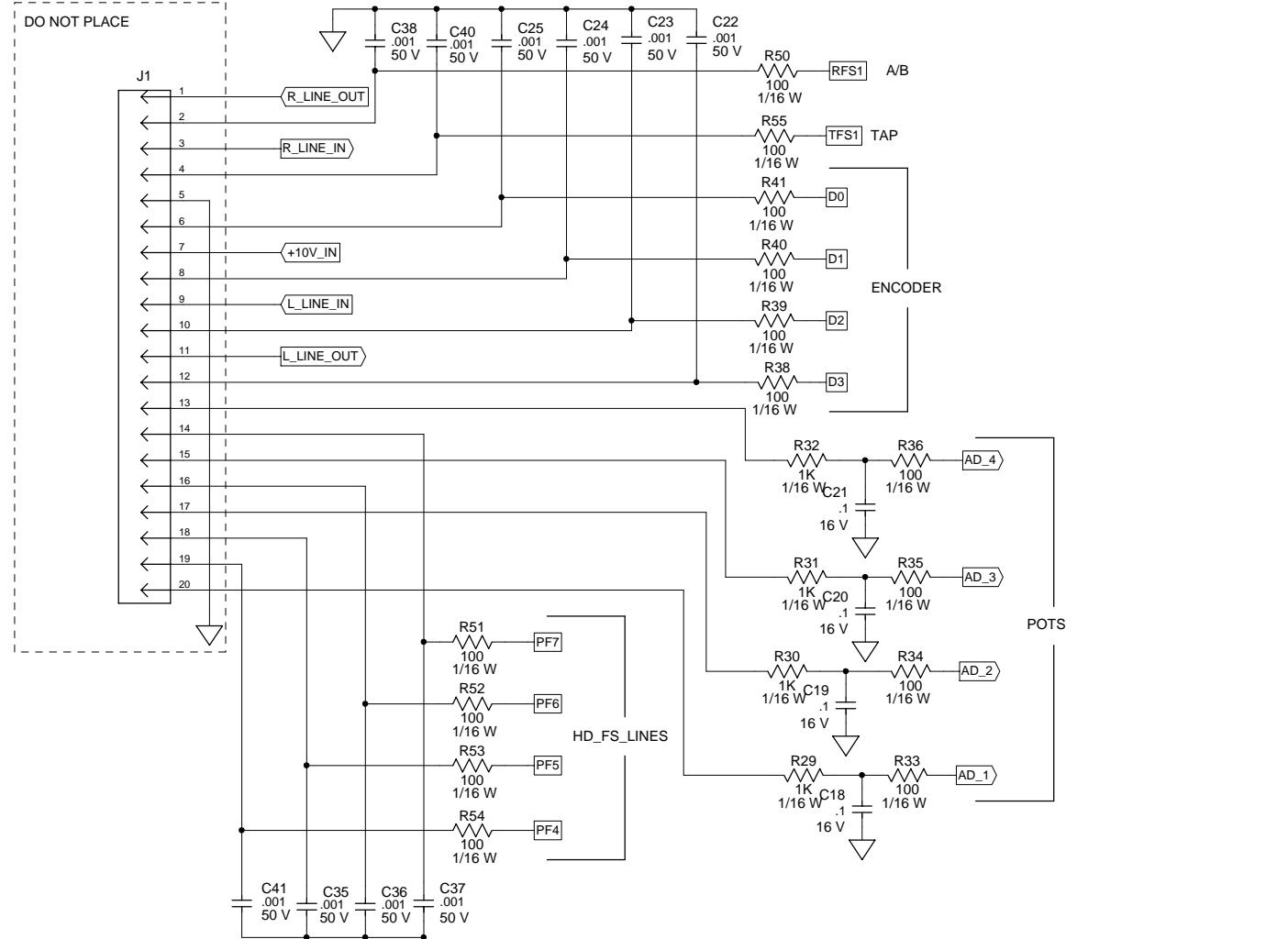
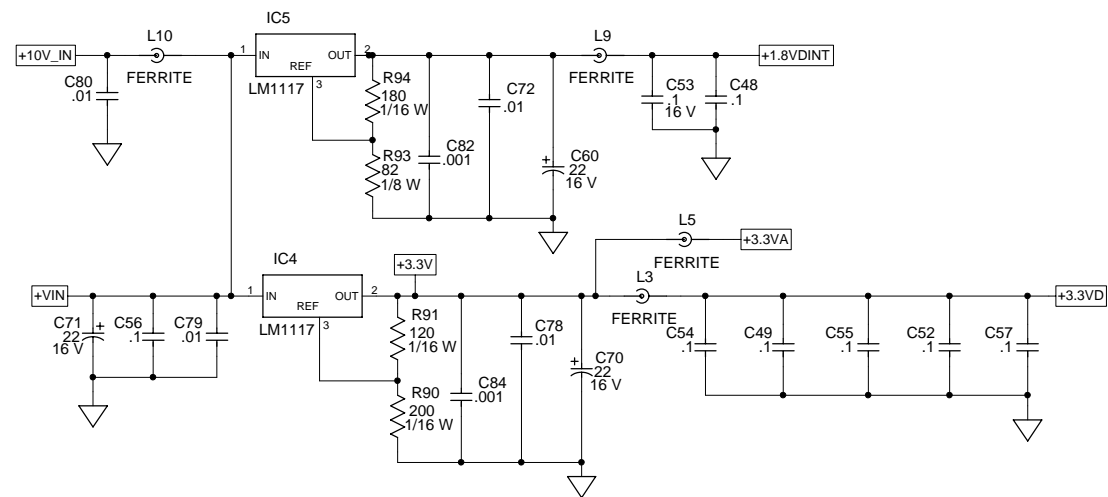
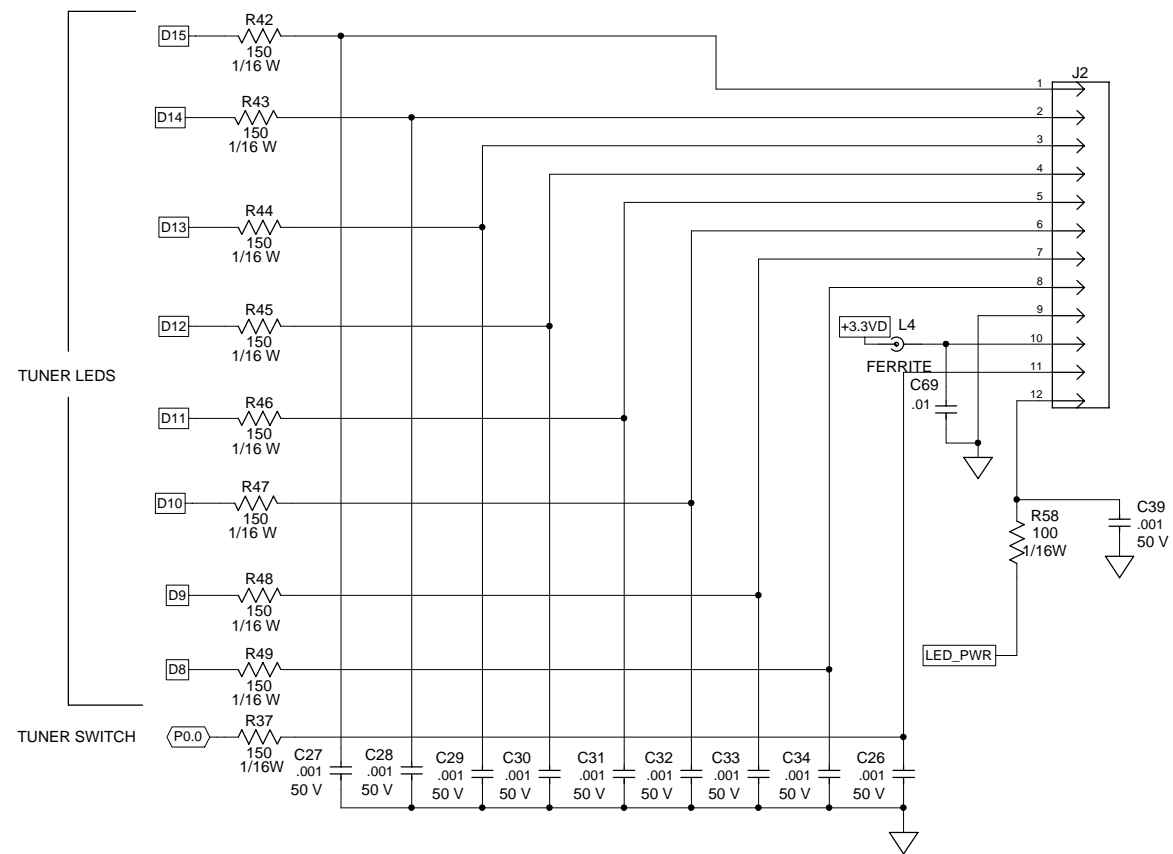


**CAUTION:**  
 THIS SCHEMATIC IS PROVIDED FOR USE BY QUALIFIED PERSONNEL.  
 TO AVOID RISK OF ELECTRIC SHOCK, REFER SERVICING TO QUALIFIED  
 SERVICE PERSONNEL. DO NOT PERFORM ANY SERVICING BEYOND  
 THAT EXPLAINED IN THE OPERATING INSTRUCTIONS.

**NOTES:**  
 1) CAUTION: SHOCK HAZARD!!  
 THIS UNIT CONTAINS HAZARDOUS VOLTAGE. DISCONNECT POWER  
 AND BE SURE POWER SUPPLY IS DISCHARGED BEFORE  
 TOUCHING INTERNAL PARTS.  
 2) UNLESS NOTED, RESISTOR VALUES IN OHMS, 1/4W-5% TOL.  
 CAPACITOR VALUES IN MICROFARADS, 50V-10% TOL.  
 3) VOLTAGES ARE MEASURED WITH 1 MEGOHM OSCILLOSCOPE  
 AND 10 MEGOHM DIGITAL VOLTMETER.

<b>C</b>	05/25/06	REMOVE J3-4, CHG VALUE OF R25,26	R01929	WFB		
<b>B</b>	05/02/06	ADD Y2, IC6	R01912	WFB		
<b>A</b>	2-23-06	INITIAL ISSUE				
<b>REV</b>	<b>Date</b>	<b>DESCRIPTION</b>	<b>Ecr(s)/Ecn(s)</b>	<b>Chgd By</b>	<b>Appvd by</b>	<b>Date</b>
THE INFORMATION CONTAINED ON THIS DRAWING IS PROPRIETARY TO ST. LOUIS MUSIC, INC.						
<b>Signatures:</b>			<b>Date:</b>		 1901 Congressional, St. Louis, MO 63146	
Drawn: RLB			10-28-05			
Checked:					First Used On:	
Released:						
Plot Date: Thu May 25, 2006		Drawing Size: C		Drawing Title: CHORUS/EFFECTS		
Plot Time: 12:05:24		Drawing Type: Schematic		Drawing Number: 06S884		
Tolerance:		Class Code: NONE		Sheet 1 of 2		



**CAUTION:**  
THIS SCHEMATIC IS PROVIDED FOR USE BY QUALIFIED PERSONNEL. TO AVOID RISK OF ELECTRIC SHOCK, REFER SERVICING TO QUALIFIED SERVICE PERSONNEL. DO NOT PERFORM ANY SERVICING BEYOND THAT EXPLAINED IN THE OPERATING INSTRUCTIONS.

**NOTES:**  
1) CAUTION: SHOCK HAZARD!! THIS UNIT CONTAINS HAZARDOUS VOLTAGE. DISCONNECT POWER AND BE SURE POWER SUPPLY IS DISCHARGED BEFORE TOUCHING INTERNAL PARTS.  
2) UNLESS NOTED, RESISTOR VALUES IN OHMS, 1/4W-5% TOL. CAPACITOR VALUES IN MICROFARADS, 50V-10% TOL.  
3) VOLTAGES ARE MEASURED WITH 1 MEGOHM OSCILLOSCOPE AND 10 MEGOHM DIGITAL VOLTMETER.

C	05/25/06	REMOVE J3-4, CHG VALUE OF R25,26	R01929	WFB		
B	05/02/06	ADD Y2, IC6	R01912	WFB		
A	2-23-06	INITIAL ISSUE				
REV	Date	DESCRIPTION	Ecr(s)/Ecn(s)	Chgd By	Appvd by	Date
THE INFORMATION CONTAINED ON THIS DRAWING IS PROPRIETARY TO ST. LOUIS MUSIC, INC.						
Signatures:			Date:		 1901 Congressional, St. Louis, MO 63146 First Used On:	
Drawn: RLB			10-28-05			
Checked:						
Released:						
Plot Date: Thu May 25, 2006		Drawing Size: C		Drawing Title: CHORUS/EFFECTS		
Plot Time: 12:05:24		Drawing Type: Schematic		Drawing Number: 06S884		
Tolerance:		Class Code: NONE		Sheet 2 of 2		