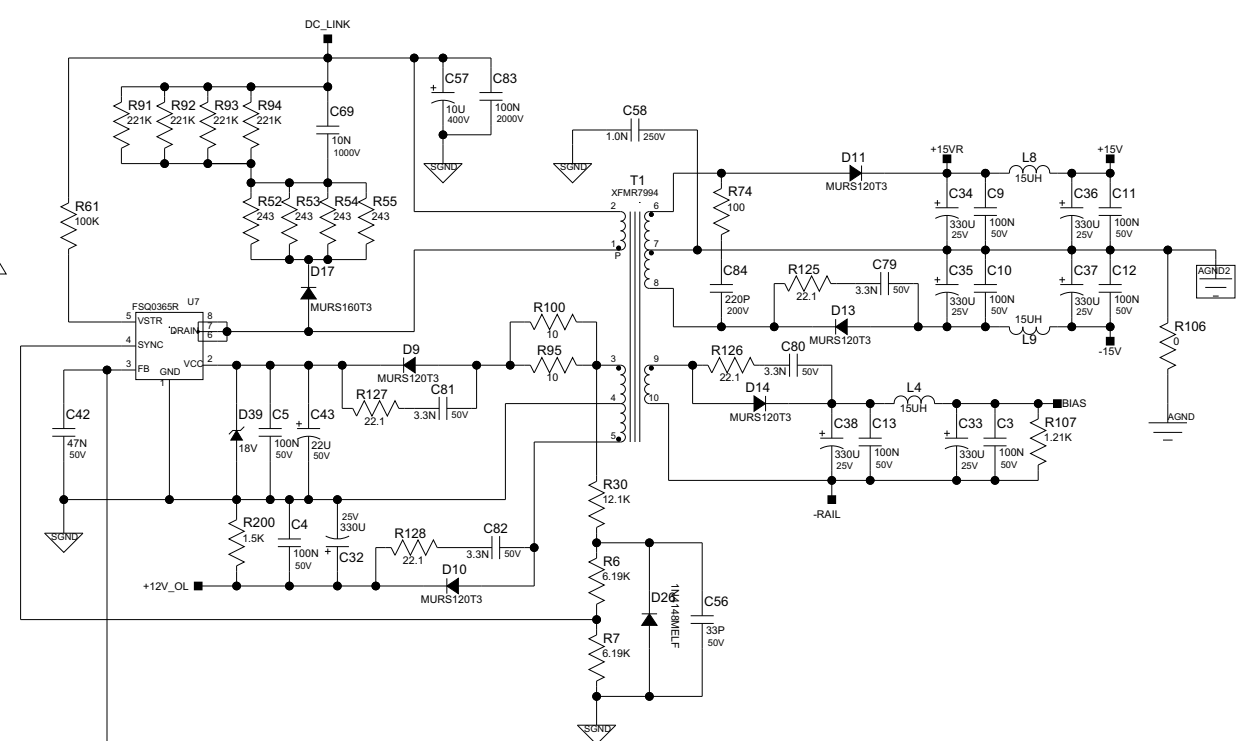
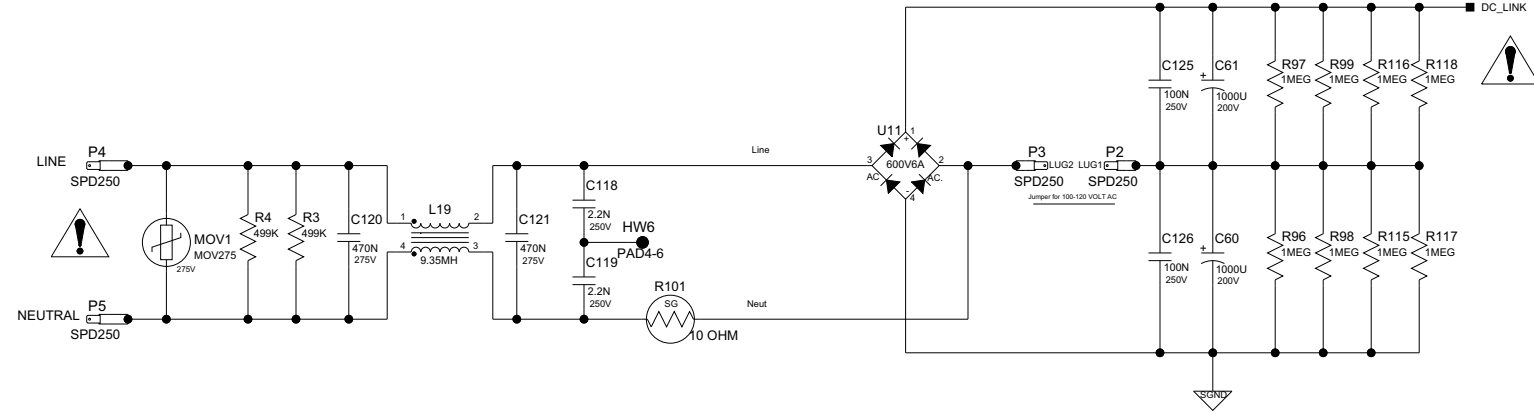


REV	Eng	Date:	Revision Description	ECN#
A				
B				
C				
D				
E				
F				

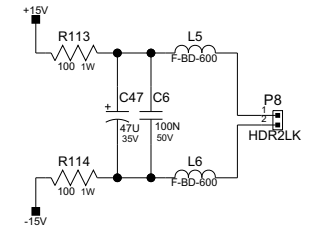
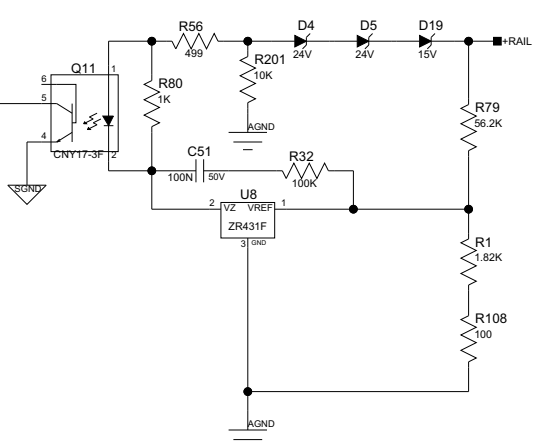
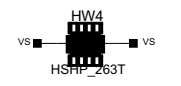
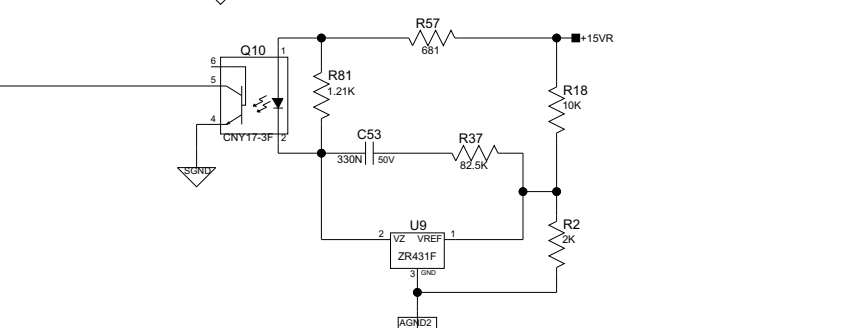
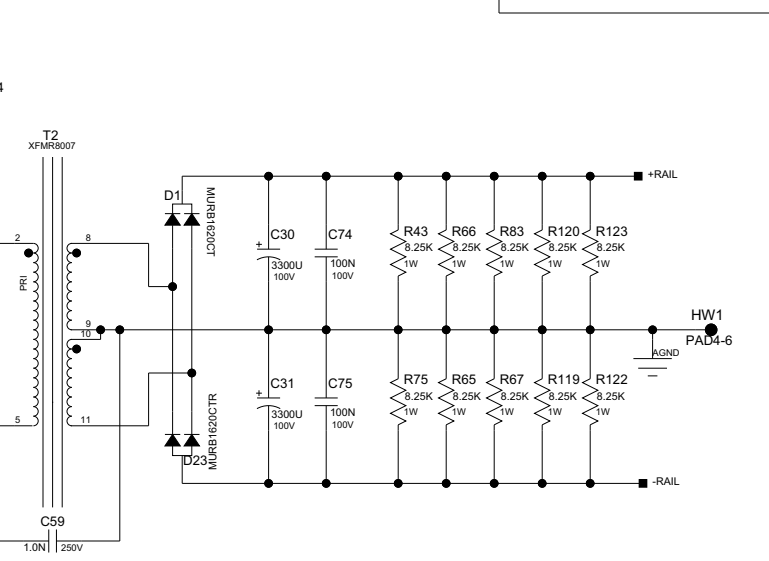
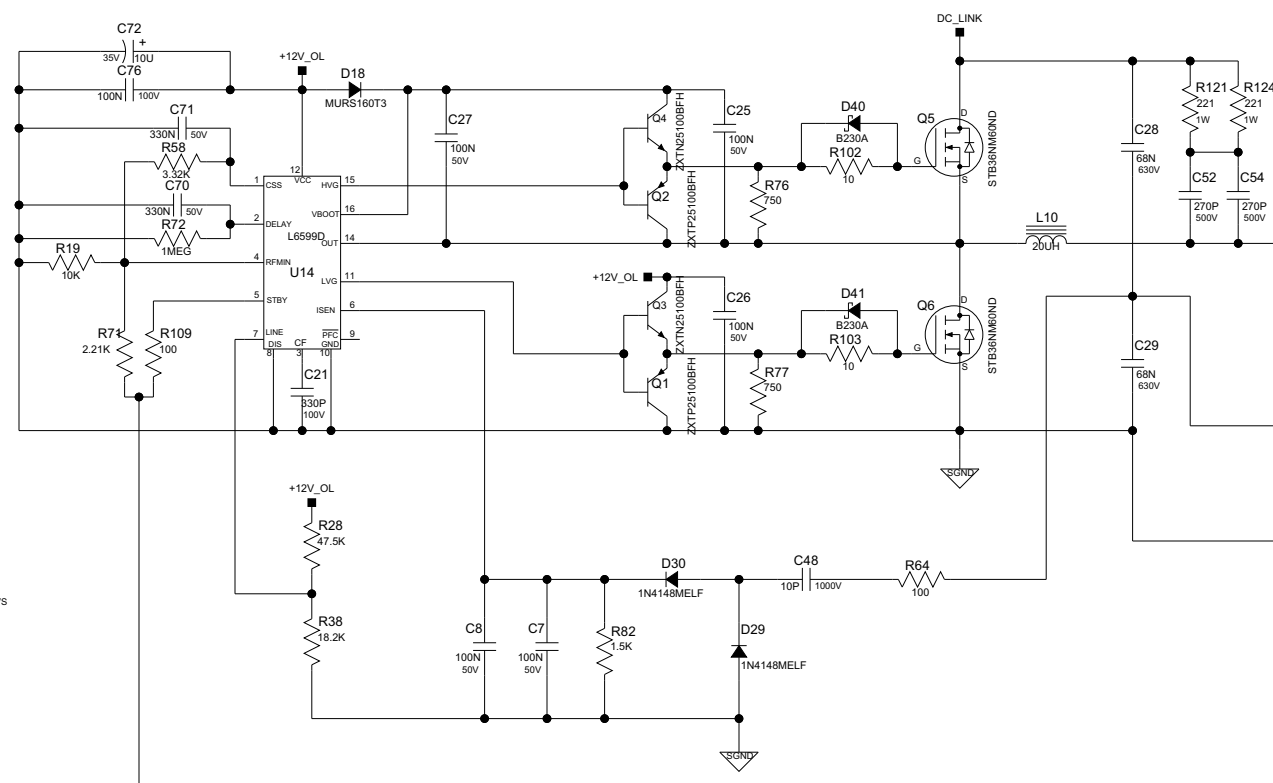
INDEX

SHEET	DESCRIPTION

2

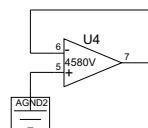
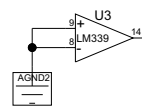
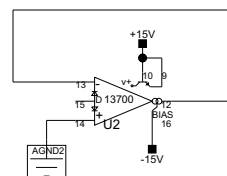
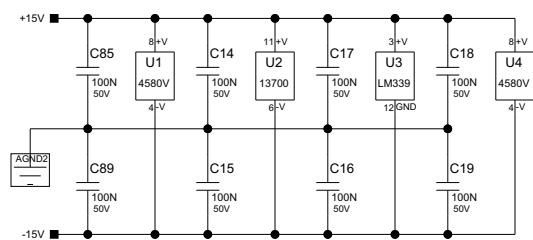
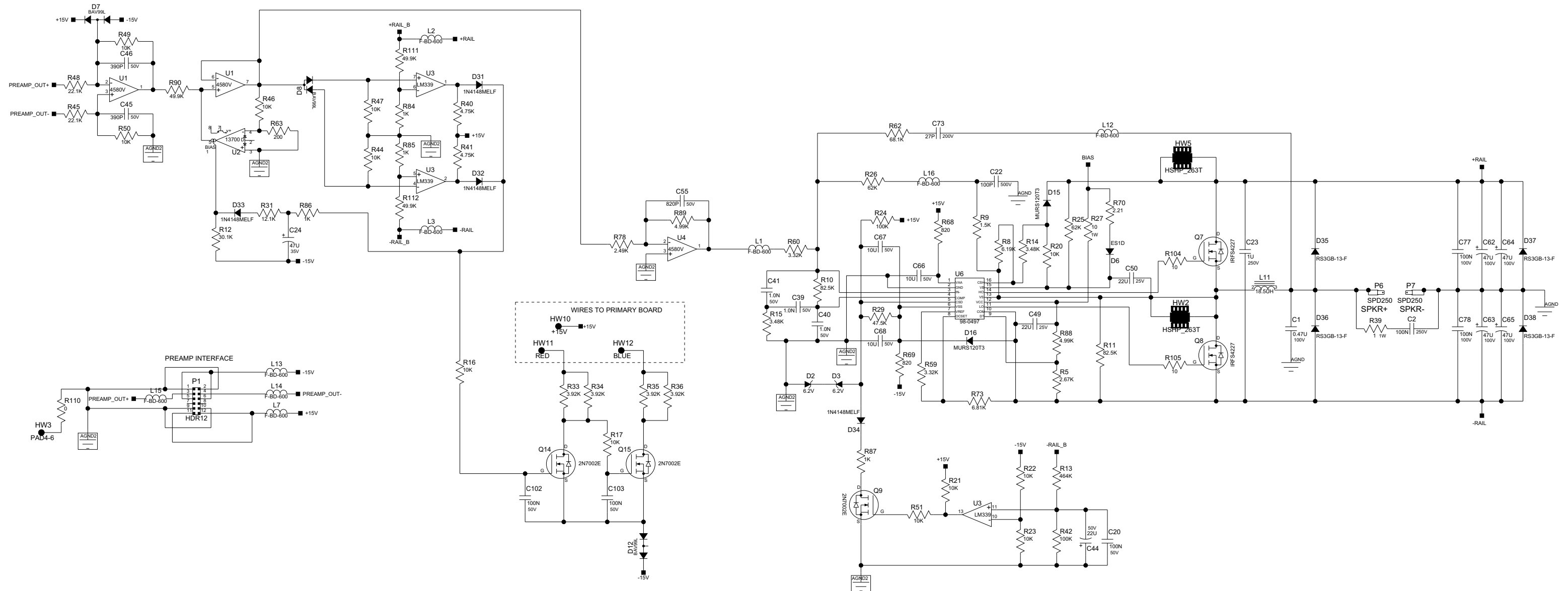


3



Note: All thru hole Resistors are 1/4 Watt unless otherwise indicated.
 All SMT 1206 Resistors are 1/4 Watt.
 All SMT 0805 Resistors are 1/10 Watt.
 Note Capacitor Values are indicated as Follows:
 val P = pF (picoFarads) val * 10 exp-12
 val N = nF (nanoFarads) val * 10 exp-9 (1N=1000pF, 100N=0.1uF)
 val U = uF (microFarads) val * 10 exp-6

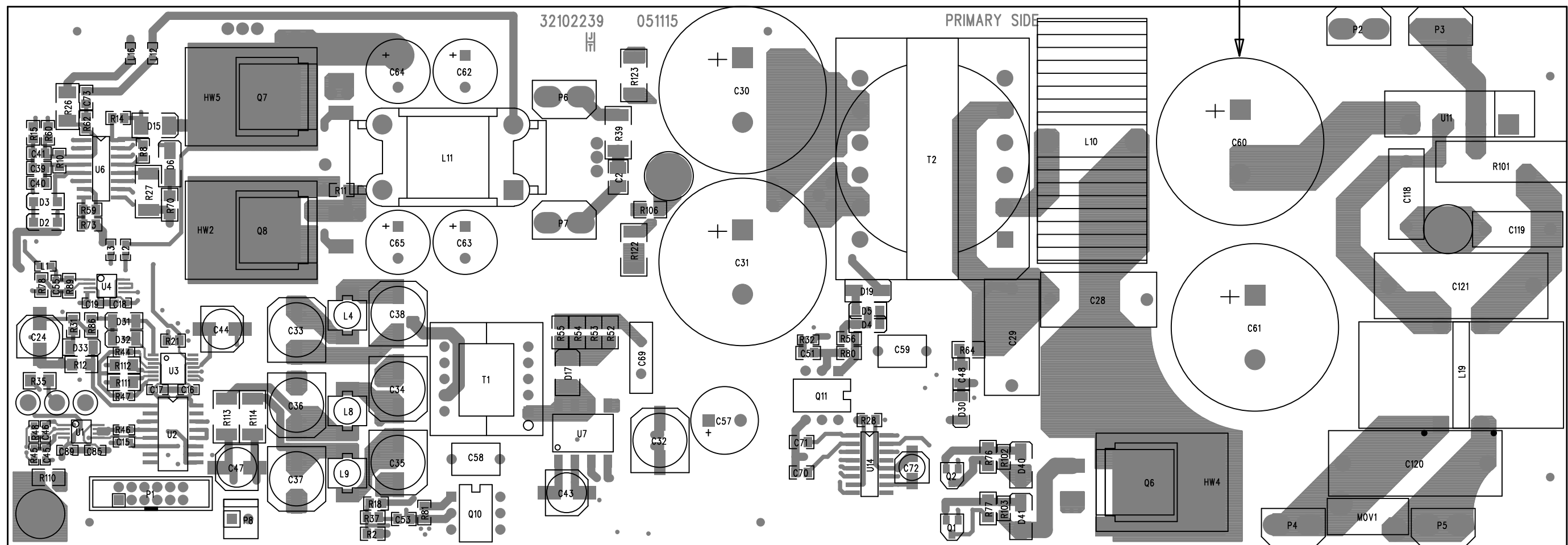
Patents:
 Copyright Peavey Electronics Corporation 2014
 CONFIDENTIAL



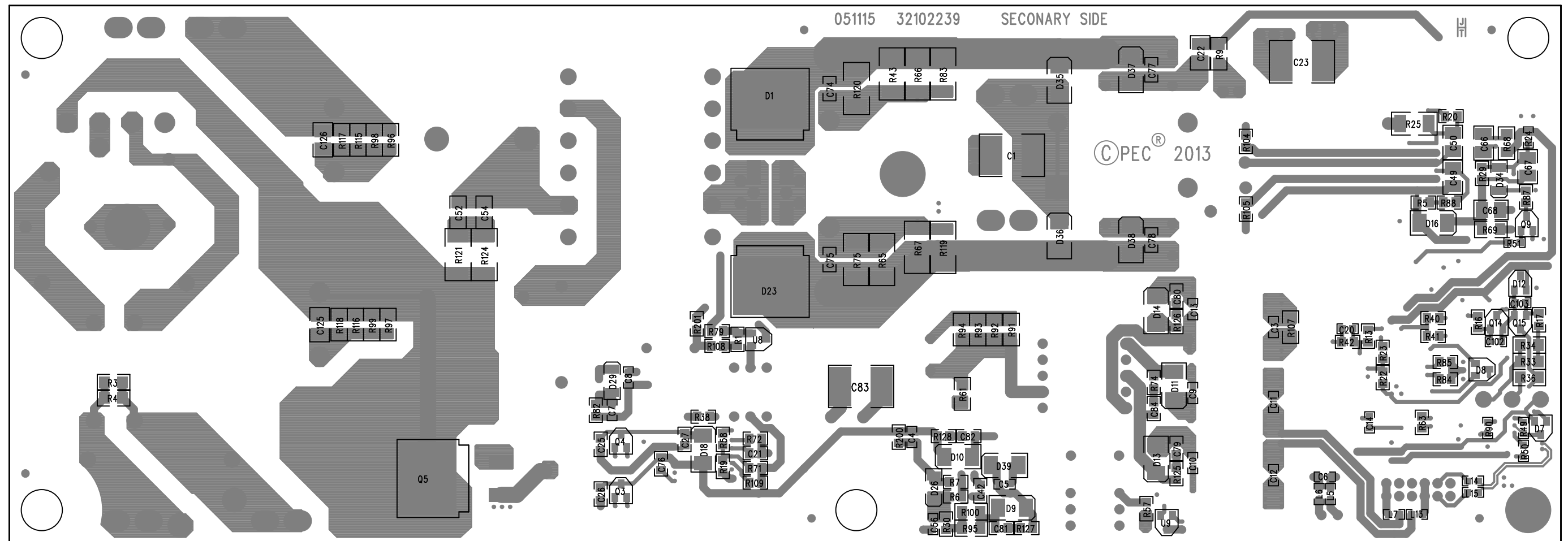
CONFIDENTIAL

PRIMARY SIDE

ADD UL94V-0 OR HIGHER APPROVED 125C HEAT SHRINK TUBING AROUND C60 CAPACITOR FOLDING 1/4" (6.35mm) UNDERNEATH THE CAPACITOR AND UP THE WHOLE SIDE OF THE CAPACITOR



SECONDARY SIDE



32204852.bom

BILL OF MATERIAL REPORT

REPORT DATE/TIME: 5/11/2015 10:32:29 AM

BOARD NAME: MINI MAX POWER MODULE ASSEMBLY LEVEL NUMBER: 32204852

PROJECT NUMBER: P1300027 DESIGNER: JTH-32102239

Qty.	Part #	Description	Reference Designators
2	30200010	0.0 1/4W 5% MF 1206	R106 R110
8	30200036	1.0M 1/4W 5% MF 1206	R96 R97 R98 R99 R115 R116 R117 R118
2	30200054	820 1/4W 5% MF 1206	R68 R69
1	30200056	30.1K 1/4W 1% MF 1206	R12
1	30200060	100 1/4W 1% MF 1206	R64
1	30200126	100K 1/4W 1% MF 1206	R61
1	30200128	1.50K 1/4W 1% MF 1206	R9
4	30200129	3.92K 1/4W 1% MF 1206	R33 R34 R35 R36
4	30200141	243 1/4W 1% MF 1206	R52 R53 R54 R55
1	30200143	1.21K 1/4W 1% MF 1206	R107
2	30200173	4.99K 1/10W 1% MF 0805	R88 R89
9	30200174	10K 1/10W 1% MF 0805	R16 R17 R18 R19 R20 R21 R22 R23 R201
3	30200181	100 1/10W 1% MF 0805	R74 R108 R109
5	30200188	1.00K 1/10W 1% MF 0805	R80 R84 R85 R86 R87
2	30200190	1.50K 1/10W 1% MF 0805	R82 R200
1	30200194	100K 1/10W 1% MF 0805	R42
1	30200195	1.00M 1/10W 1% MF 0805	R72
4	30200196	10 1/10W 1% MF 0805	R102 R103 R104 R105
1	30200198	499 1/10W 1% MF 0805	R56
3	30200202	3.32K 1/10W 1% MF 0805	R58 R59 R60
1	30200203	2.49K 1/10W 1% MF 0805	R78

32204852.bom

1	30200204	2.00K	1/10W	1%	MF	0805	R2
2	30200205	47.5K	1/10W	1%	MF	0805	R28 R29
4	30200215	221K	1/4W	1%	MF	1206	R91 R92 R93 R94
2	30200218	750	1/4W	1%	MF	1206	R76 R77
2	30200235	62K	1/2W	5%	MF	2010	R25 R26
1	30200239	10	1W	1%	MF	2512	R27
2	30200250	3.48K	1/10W	1%	MF	0805	R14 R15
2	30200251	4.75K	1/10W	1%	MF	0805	R40 R41
1	30200266	18.2K	1/10W	1%	MF	0805	R38
1	30200267	2.21K	1/10W	1%	MF	0805	R71
1	30200288	100K	1/10W	5%	MF	0603	R24
6	30200289	10K	1/10W	1%	MF	0603	R44 R46 R47 R49 R50 R51
2	30200296	22.1K	1/10W	1%	MF	0603	R45 R48
1	30200328	6.81K	1/10W	1%	MF	0805	R73
1	30200335	68.1K	1/10W	1%	MF	0805	R62
3	30200337	82.5K	1/10W	1%	MF	0805	R10 R11 R37
2	30200348	10	1/4W	1%	MF	1206	R95 R100
2	30200371	49.9K	1/4W	1%	MF	1206	R111 R112
1	30200373	200	1/10W	1%	MF	0805	R63
3	30200375	6.19K	1/10W	1%	MF	0805	R6 R7 R8
2	30200376	12.1K	1/10W	1%	MF	0805	R30 R31
1	30200393	56.2K	1/10W	1%	MF	0805	R79
1	30200413	2.67K	1/10W	1%	MF	0805	R5
1	30200417	464K	1/10W	1%	MF	0805	R13
1	30200418	1	1W	1%	MF	2512	R39
1	30200437	1.82K	1/10W	1%	MF	0805	R1
1	30200438	1.21K	1/10W	1%	MF	0805	R81
1	30200475	100K	1/10W	1%	MF	0603	R32
1	30200491	681	1/10W	1%	0805		R57
4	30200495	22.1	1/10W	1%	MF	0805	R125 R126 R127 R128

32204852.bom

2	30200496	100	1W	5% MF	2512	R113 R114
10	30200497	8.25K		1W 1%	2512	R43 R65 R66 R67 R75 R83 R119 R120 R122 R123
2	30200508	499K	1/4W	1% MF	1206	R3 R4
2	30200525	221	1W	1% MF	2512	R121 R124
1	30200529	2.21	1/4W	51 MF	1206	R70
1	30200591	49.9K	1/10W	1% MF	0603	R90
1	30250221	MOV 275V, V275LA10				MOV1
1	30250293	10 OHM 9A INRUSH LIMITER				R101
1	30300079	47UF	35V	20% EL	SMT6	C24
2	30300099	22UF	50V	20% EL	SMT6	C43 C44
3	30300108	10UF	35V	+80,20%	Y5V 1210	C66 C67 C68
4	30300121	0.1UF	50V	5% X7R	0805	C25 C26 C27 C51
1	30300126	0.1UF	2000V	10% X7R	2220	C83
22	30300128	0.1UF	50V	+80/-20%	Y5V 0603	C3 C4 C5 C6 C7 C8 C9 C10 C11 C12 C13 C14 C15 C16 C17 C18 C19 C20 C85 C89 C102 C103
1	30300138	33PF	50V	5% NPO	0603	C56
2	30300141	390PF	50V	5% NPO	0603	C45 C46
4	30300145	3300PF	50V	5% X7R	0805	C79 C80 C81 C82
1	30300151	47UF	35V	20% EL	LOZ SMT6	C47
1	30300156	0.047UF	50V	10% X7R	0805	C42
1	30300170	330PF	100V	5% NPO	0805	C21
3	30300204	0.1UF	250V	10% X7R	1210	C2 C125 C126
1	30300211	27PF	200V	5% NPO	0805	C73
1	30300226	10UF	35V	20% EL	SMT4	C72
1	30300233	820PF	50V	5% NPO	0603	C55
1	30300242	0.47UF	100V	5% PEN	2220	C1
5	30300249	0.1UF	100V	20% X7R	0805	C74 C75 C76 C77 C78

QTY	REF	DESCRIPTION	VALUE	REF
1	30300250	1UF 250V 10% X7R 2220	C23	
2	30300259	22UF 25V +80,20% Y5V 1210	C49 C50	
1	30300265	100PF 500V COG 2% 1210	C22	
3	30300266	1000PF 50V COG 1% 0805	C39 C40 C41	
3	30300271	330NF 50V 10% X7R 0805	C53 C70 C71	
2	30300273	270PF 500V 5% NPO 1206	C52 C54	
7	30300319	330UF 25V 20% EL LOZ SMT8	C32 C33 C34 C35 C36 C37 C38	
1	30300336	220PF 200V NPO 5% 0805	C84	
1	30300346	10PF 1000V 5% NPO 1206	C48	
1	30320248	0.01UF 1000V 80-20% Z5U RAD	C69	
2	30320271	0.47UF 275V 20% "X" RADH	C120 C121	
2	30320322	2200PF 250V 20% "Y" RADH	C118 C119	
2	30320345	3300UF 100V 20% EL CG H	C30 C31	
2	30320586	1000PF 250V 20% "Y2" RADH	C58 C59	
1	30320676	10UF 400V 20% EL RADIAL	C57	
4	30320704	47UF 100V 20% ELS RAD	C62 C63 C64 C65	
2	30320709	1000UF 200V 20% EL SNPH2	C60 C61	
2	30320717	0.068UF 630V 10% HIGH CURRENT	C28 C29	
2	30400173	CNY17-3F BASELESS OPTO	Q10 Q11	
1	30400605	BR RECT INLINE 600V 6A	U11	
2	30400979	24V ZENER (SOD123)-SMT	D4 D5	
1	30409224	QUASI RESONANT PWR SW 25W	U7	
1	30416598	L6599D HV RESONANT CONTROLLER	U14	
7	30418026	1N4148 (LL34) DIODE SMT	D26 D29 D30 D31 D32 D33 D34	
2	30418166	ZR431F ADJ SHUNT REG SMT	U8 U9	
1	30418231	NJM13700 DUAL OTA SMT	U2	
1	30418270	18V 3W ZENER SMB	D39	
2	30418271	6.2V ZENER (SOD123)-SMT	D2 D3	
2	30418272	1A 600V FAST RECOVERY RECT	D17 D18	
3	30418369	2N7002E N CH 60V MOSFET	Q9 Q14 Q15	

			32204852.bom
7	30418374	MURS120T3 - SMT - SMB PKG	D9 D10 D11 D13 D14 D15 D16
1	30418504	15V 1.5W ZENER SMA	D19
1	30418649	LM339 QUAD COMPARATOR TSSOP	U3
1	30418651	98-0497 HI/LO SIDE DRIVER	U6
3	30418655	BAV99L DUAL 4148 DIODE SO	D7 D8 D12
1	30418704	MURB1620CT DUAL RECTIFIER	D1
1	30418705	MURB1620CTR DUAL RECTIFIER	D23
2	30418745	IRFS4227 N-CH FET D2PAK	Q7 Q8
2	30418773	ZXTP25100BFH PNP 100V 2A SOT23	Q1 Q2
2	30418774	ZXTN25100BFH NPN 100V 3A SOT23	Q3 Q4
2	30418836	NJM4580 DUAL OPAMP SSOP8	U1 U4
1	30418921	ES1D FAST RECT 200V 1A SMA	D6
2	30418928	SCHOTTKY 30V 2A SMA	D40 D41
2	30418959	STB36NM60ND N MOS D2PACK	Q5 Q6
4	30419246	DIODE 3A 400V FAST RECOVERY SMB	D35 D36 D37 D38
1	30500891	18.5UH 13A INDUCTOR	L11
11	30500935	FERRITE CHIP SMT 600OHM 1.3A	L1 L2 L3 L5 L6 L7 L12 L13 L14 L15 L16
1	30504440	9.35MHCOMMON-MODE CHOKE	L19
1	30507993	20UH RESONANT IND 5A	L10
1	30507994	MINIMAX FLYBK XFMR	T1
1	30508007	MINIMAX LLC HALF BRDG	T2
3	30519979	15 UH, 1.2A INDUCTOR SMT	L4 L8 L9
3	30908017	HEATSINK TO263 SMT TALL	HW2 HW4 HW5
6	33716194	SPADE .250 PC MNT .093	P2 P3 P4 P5 P6 P7
1	33717346	2 HDR V SR .100" TIN LK	P8
1	33717360	12 HDR V DR 2MM GOLD	P1
1	heat shrink	HEAT SHRINK TUBE 0.5" DIA	FOR C60

 END OF BILL OF MATERIAL REPORT
