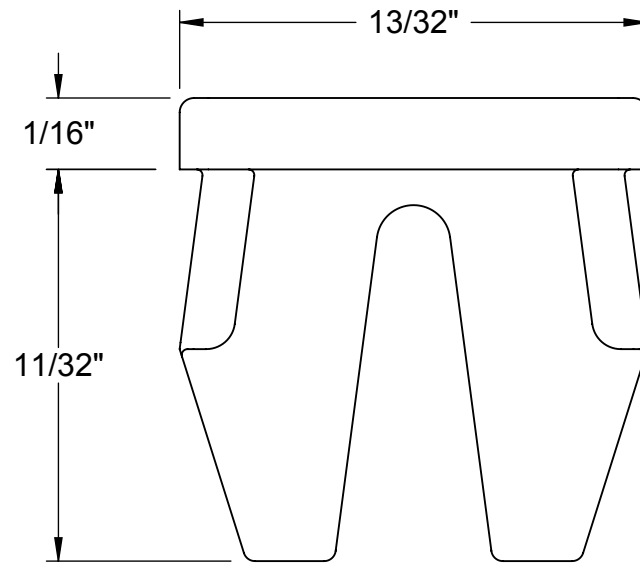
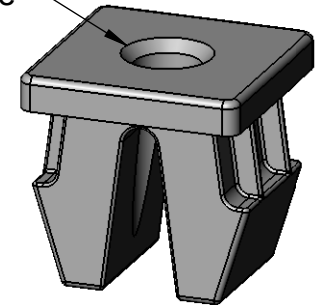


#8 or #10 Screw Size



0.28" - 0.29" Square Hole Size

McMASTER-CARR <small>CAD</small>	PART NUMBER	98550A485
http://www.mcmaster.com		Snap-In Insert for Thin Material
© 2012 McMaster-Carr Supply Company		
Information in this drawing is provided for reference only.		