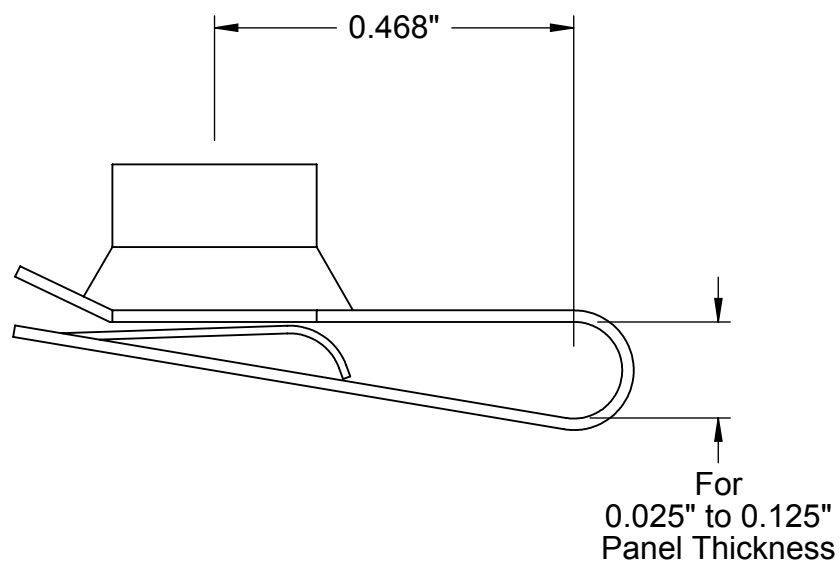
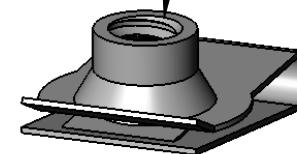


For #10-24
Machine Screw



McMASTER-CARR CAD

PART
NUMBER

94850A120

<http://www.mcmaster.com>
© 2017 McMaster-Carr Supply Company

Information in this drawing is provided for reference only.

No-Slip
Clip-On Barrel Nut