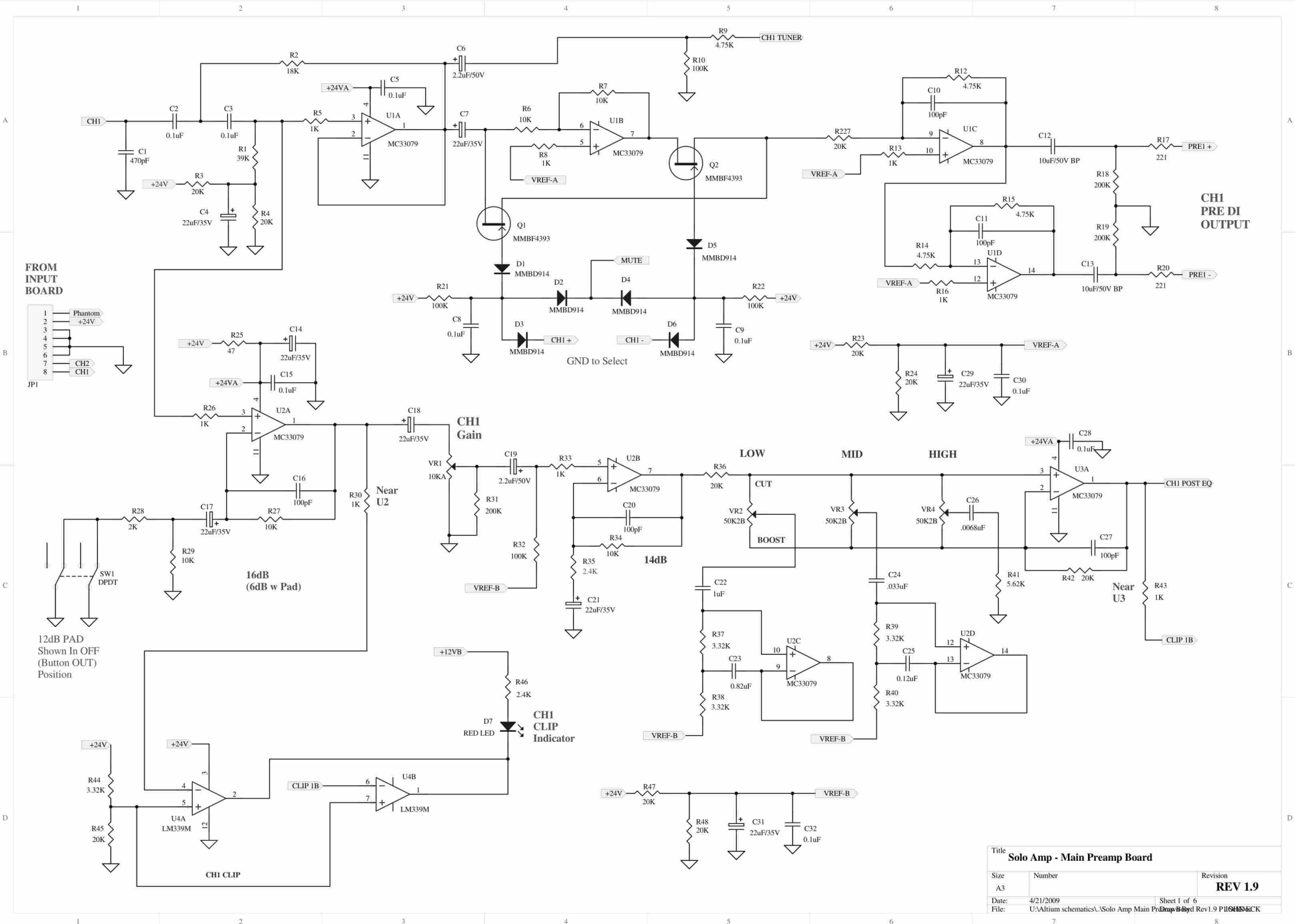
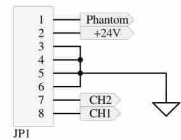
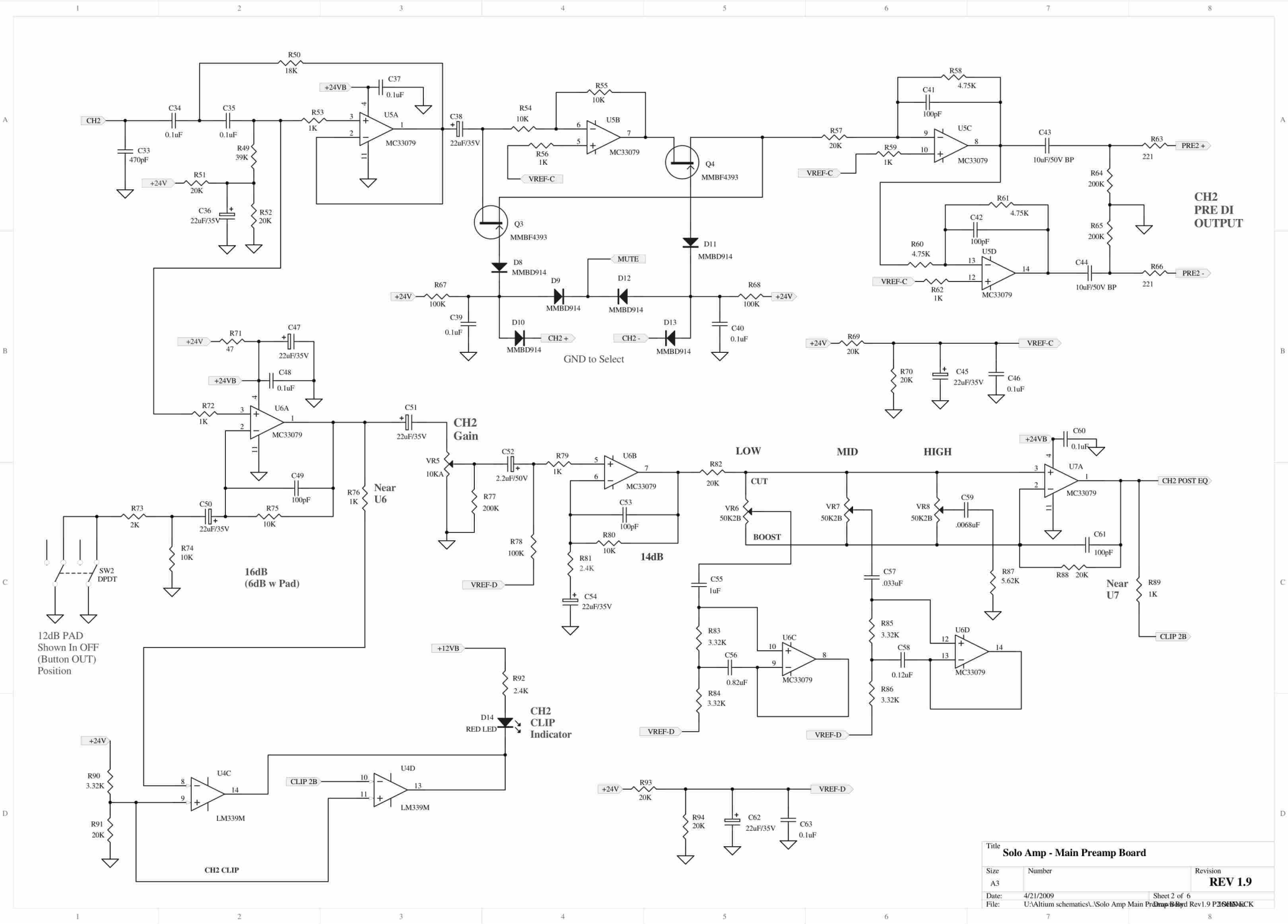


Title		
Solo Amp - Input Board		
Size	Number	Revision
A3		REV 1.4
Date:	2/20/2008	Sheet 1 of 1
File:	V:\Solo Amp Input Board Rev1.4.SchDoc	Drawn By: JOHN ECK

FROM INPUT BOARD



Title		
Solo Amp - Main Preamp Board		
Size	Number	Revision
A3		REV 1.9
Date:	4/21/2009	Sheet 1 of 6
File:	U:\Altium schematics\Solo Amp Main Preamp Board Rev 1.9 PLOT.DOC	



CH2
PRE DI
OUTPUT

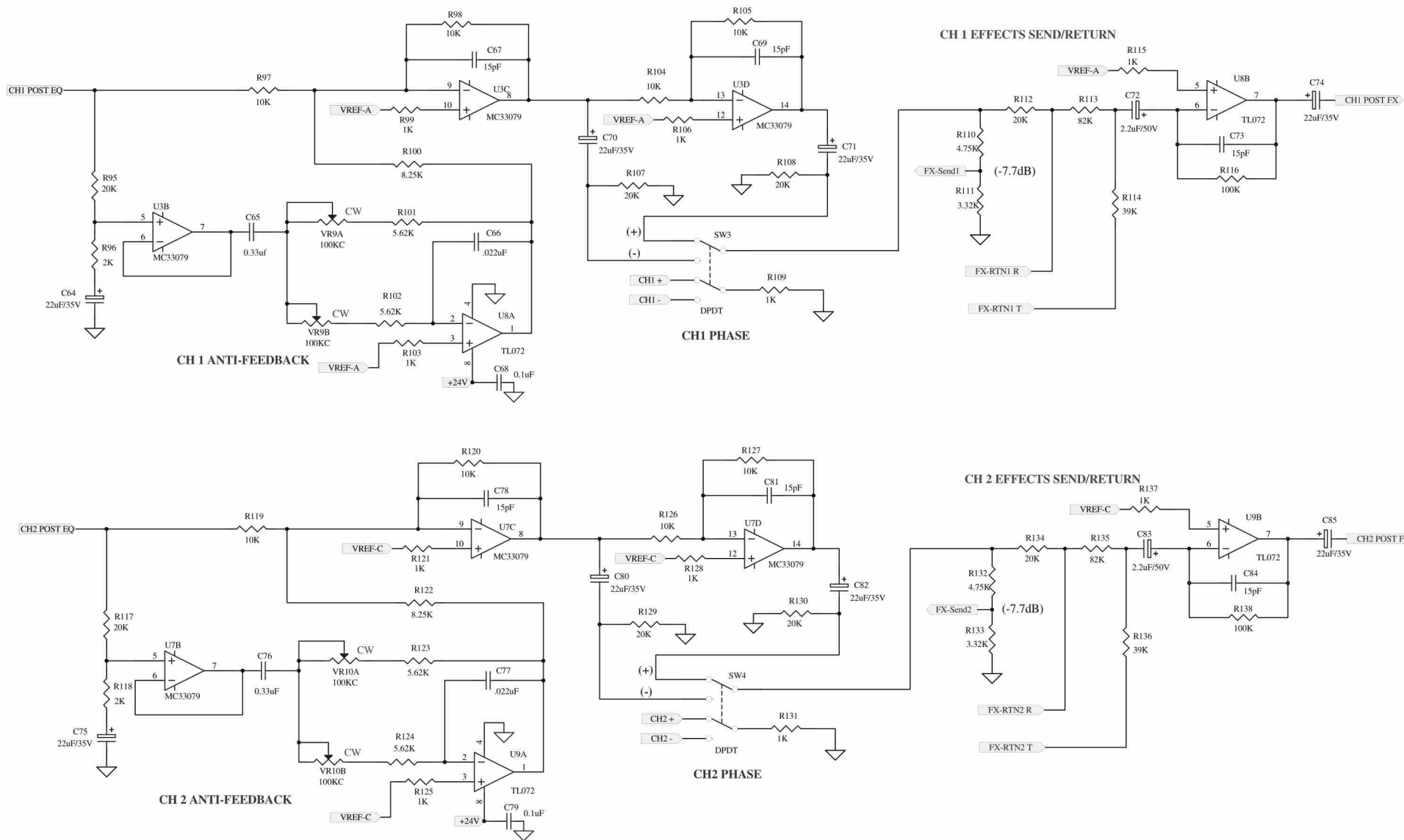
12dB PAD
Shown In OFF
(Button OUT)
Position

16dB
(6dB w Pad)

CH2
CLIP
Indicator

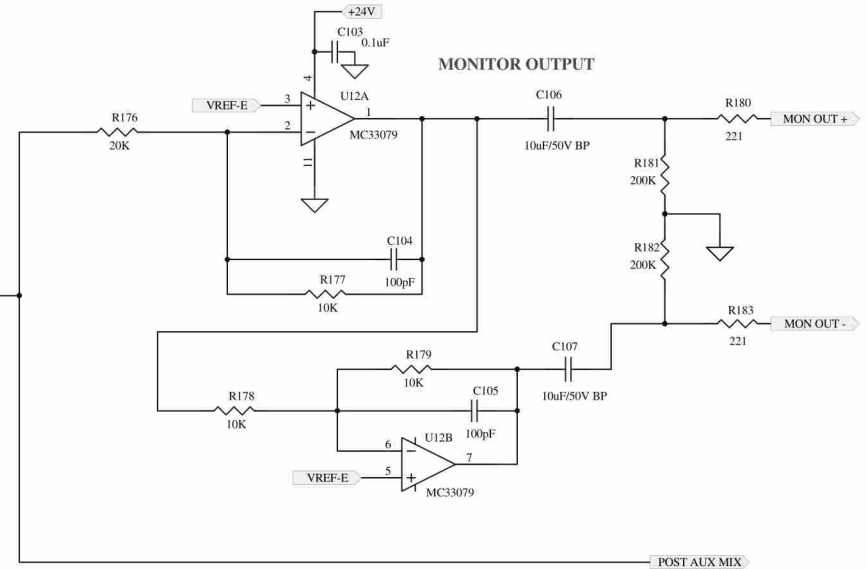
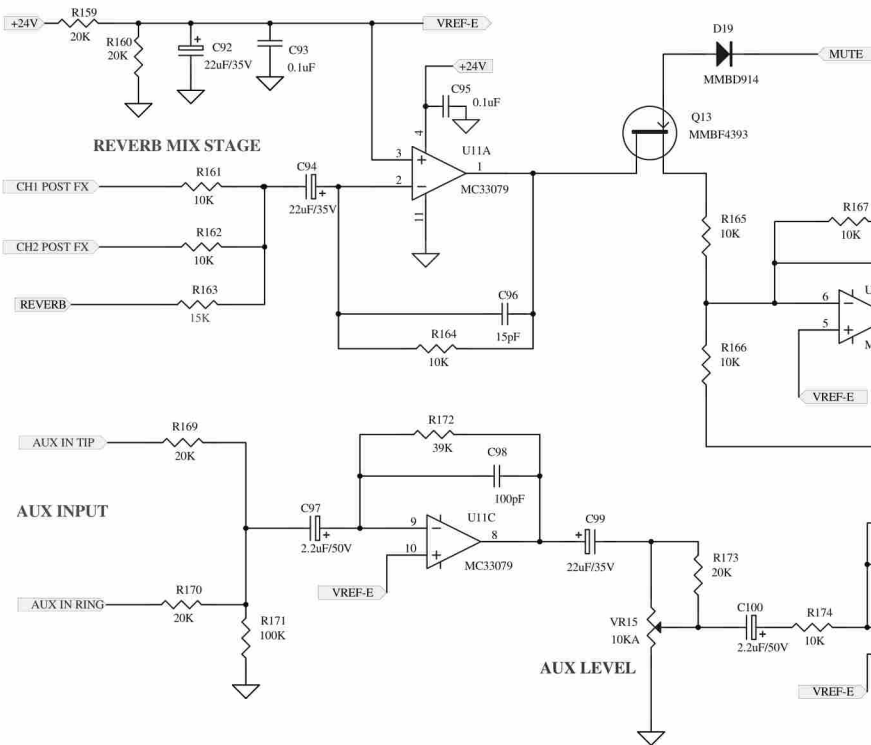
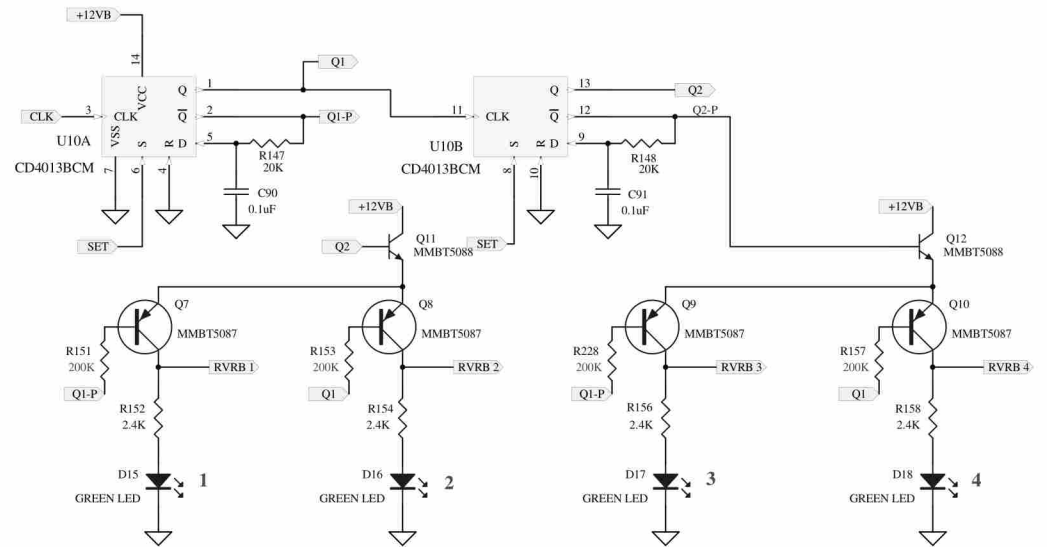
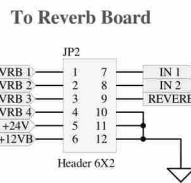
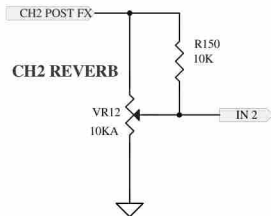
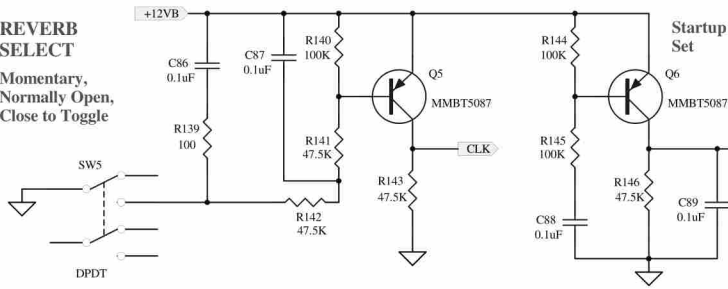
CH2 CLIP

Title		
Solo Amp - Main Preamp Board		
Size	Number	Revision
A3		REV 1.9
Date:	4/21/2009	Sheet 2 of 6
File:	U:\Altium schematics\Solo Amp Main Preamp Board Rev1.9 P201006.DOC	

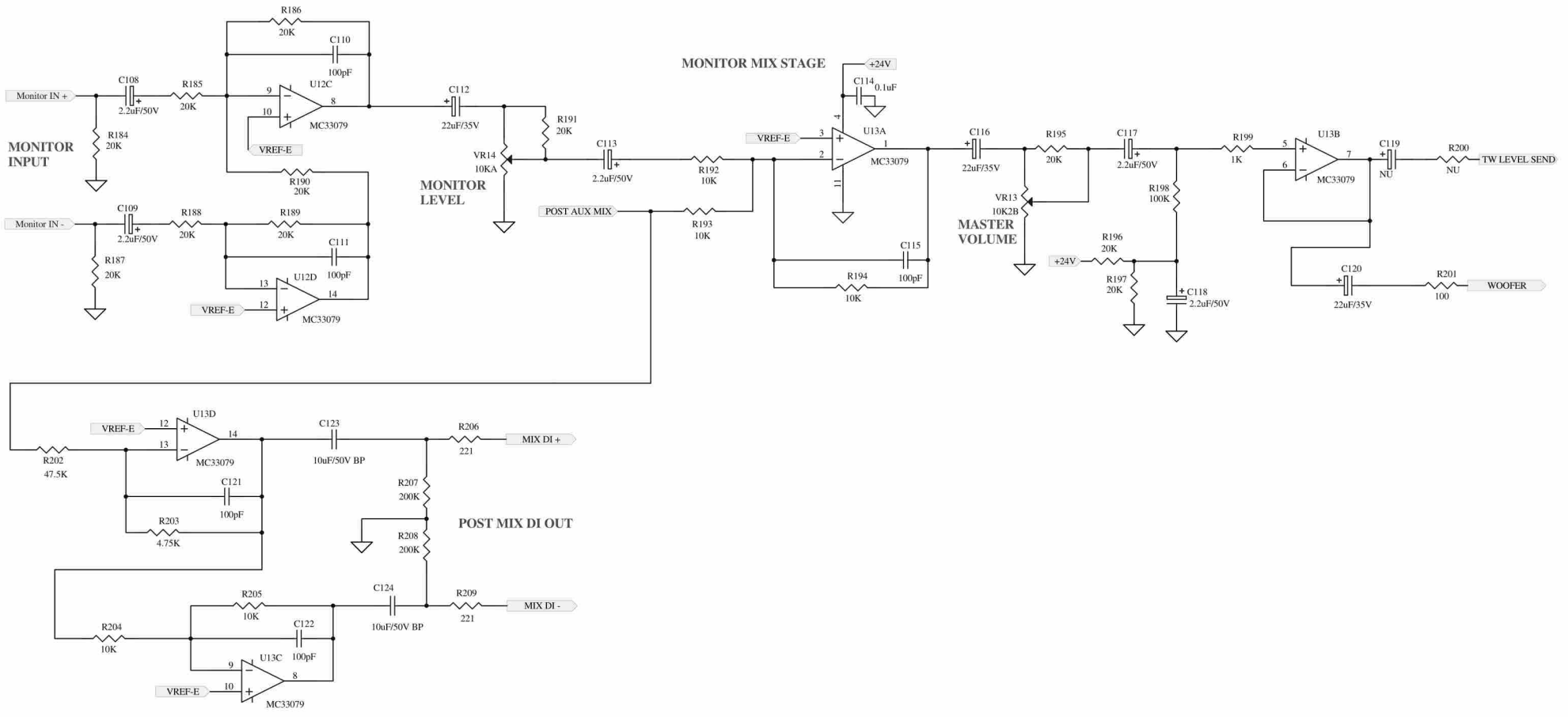


Title		
Solo Amp - Main Preamp Board		
Size	Number	Revision
A3		REV 1.9
Date:	4/21/2009	Sheet 3 of 6
File:	U:\Altium schematics\Solo Amp Main Preamp Board Rev1.9 PCB.DOC	

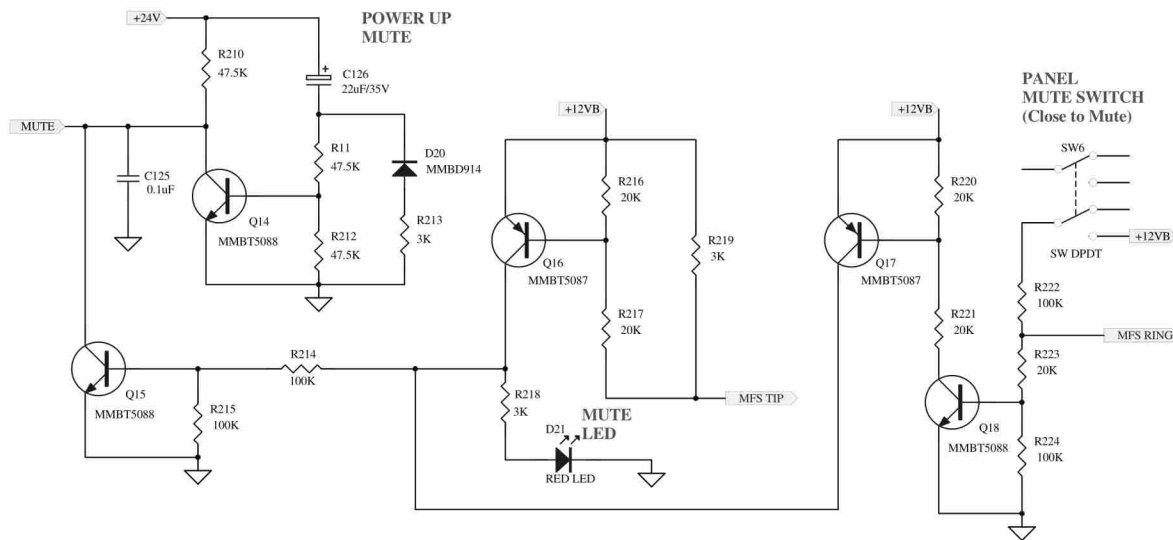
REVERB SELECT
Momentary, Normally Open, Close to Toggle



Title Solo Amp - Main Preamp Board		
Size A3	Number	Revision REV 1.9
Date: 4/21/2009	Sheet 4 of 6	
File: U:\Altium schematics\Solo Amp Main Preamp Board Rev1.9 P4.DOC	CHECK	



Title			Revision		
Solo Amp - Main Preamp Board			REV 1.9		
Size	Number				
A3					
Date:	4/21/2009		Sheet 5 of 6		
File:	U:\Altium schematics\Solo Amp Main Preamp Board Rev1.9 P50000		CHECK		

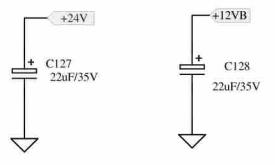
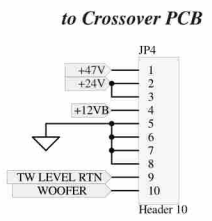
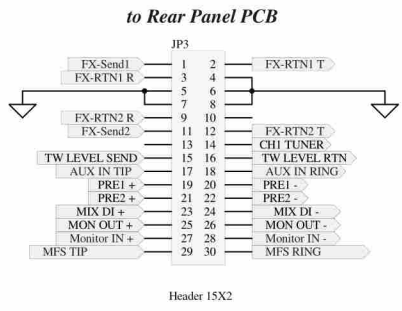
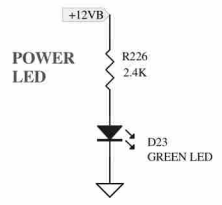
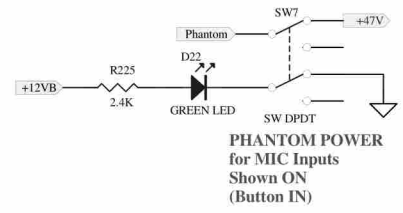


FOOTSWITCH MUTE

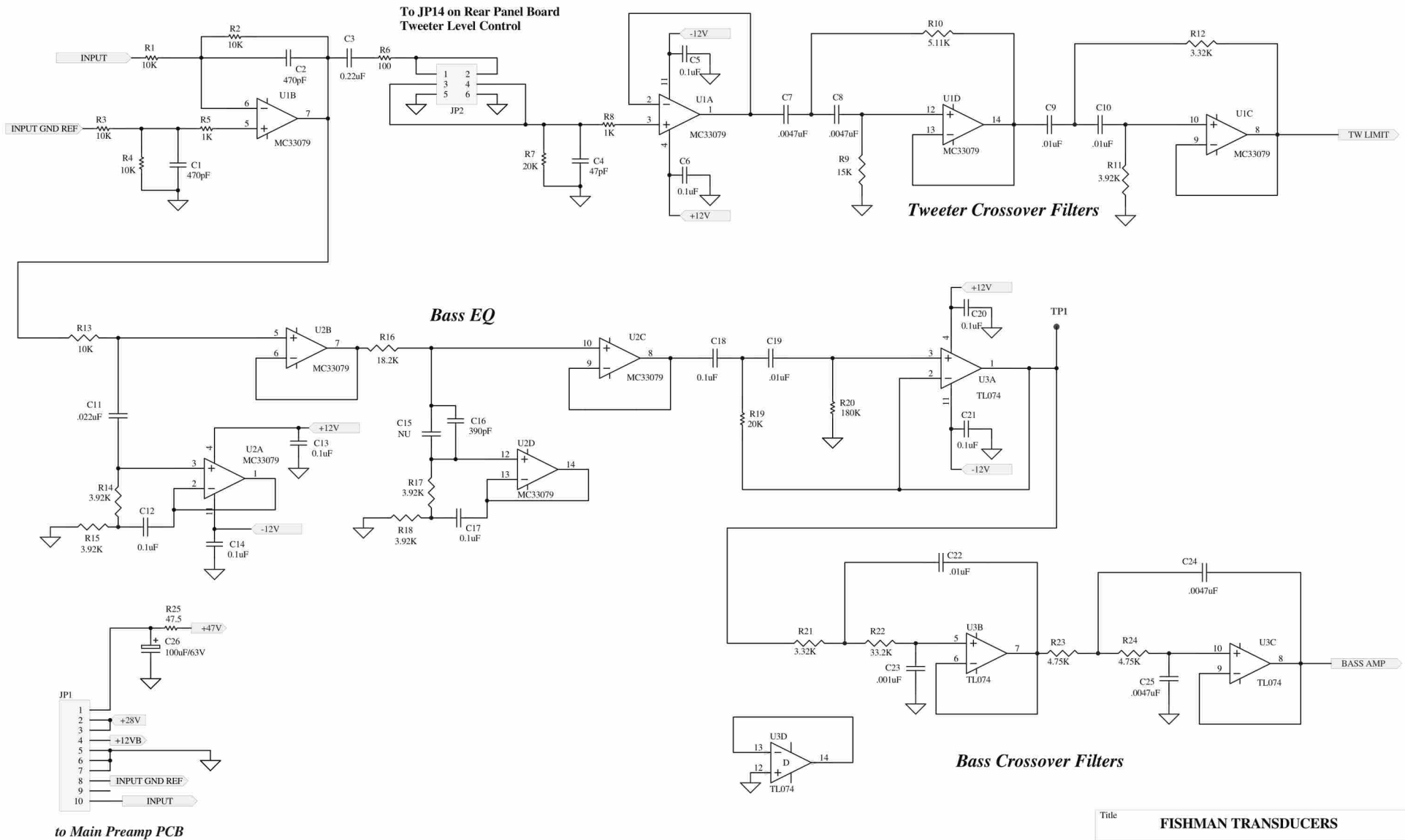
The footswitch mutes when "MFS TIP" makes contact with GND.

Assumes use of Mono footswitch plug so that "MFS RING" contacts ground when plug is inserted, disabling front panel mute switch.

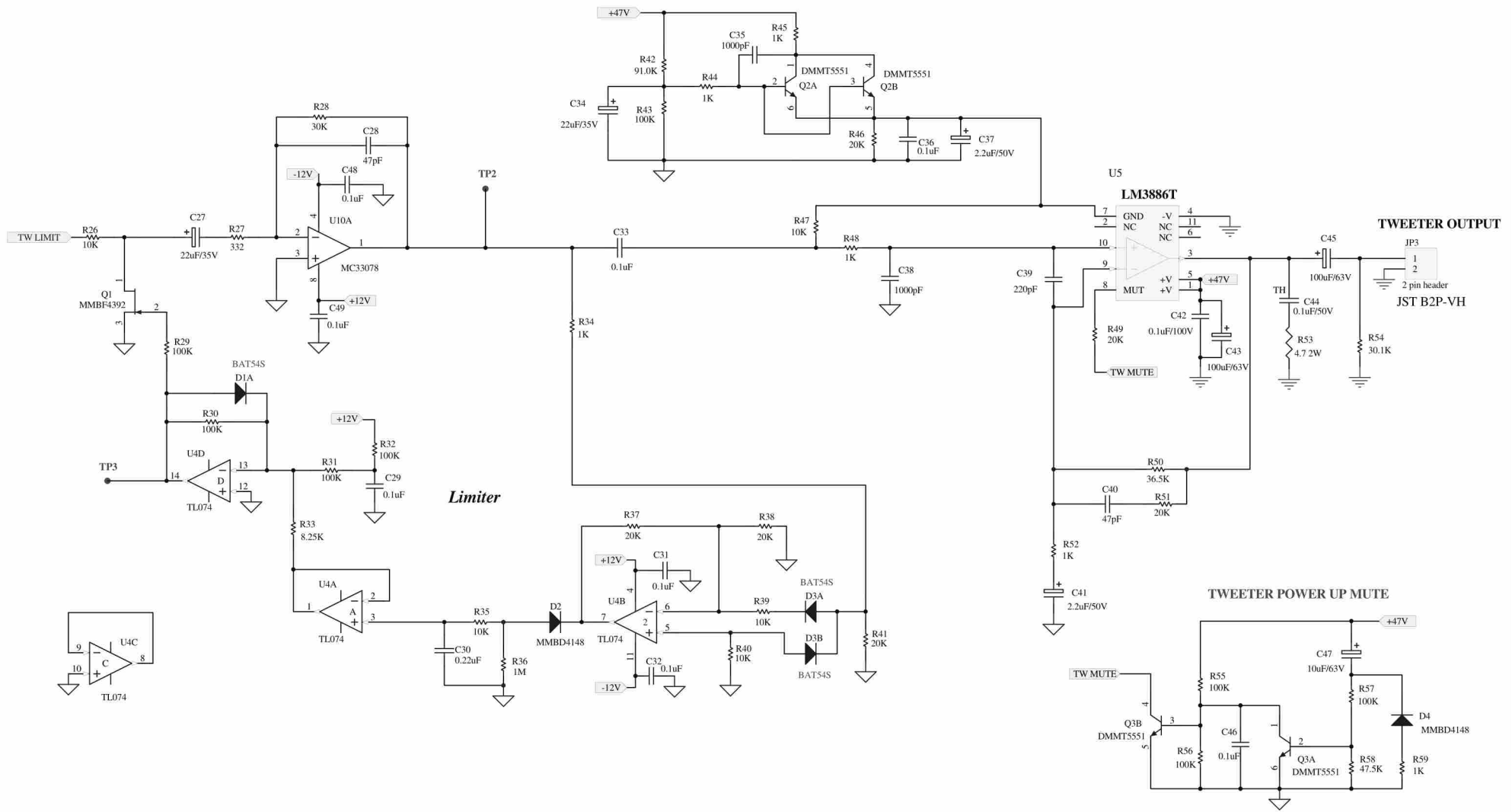
Enough current flows through "MFS TIP" to illuminate an LED on the footswitch.



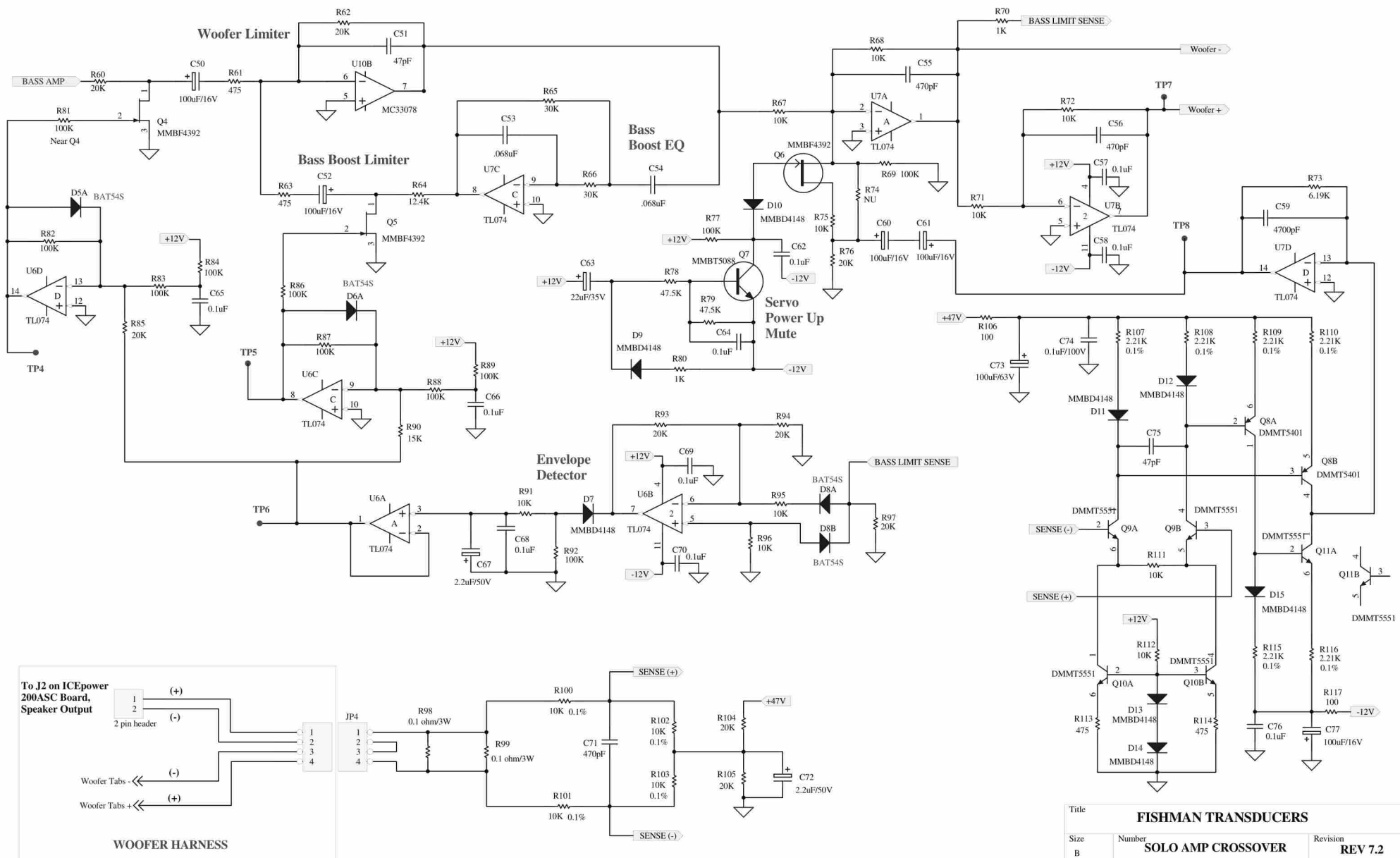
Title Solo Amp - Main Preamp Board		
Size A3	Number	Revision REV 1.9
Date: 4/21/2009	Sheet 6 of 6	
File: U:\Altium schematics\Solo Amp Main Preamp Board Rev1.9 PCB CHECK	CHECK	



Title	FISHMAN TRANSDUCERS	
Size	Number	Revision
B	SOLO AMP CROSSOVER	REV 7.2
Date:	6/24/2008	Sheet 1 of 4
File:	U:\Altium schematics\Solo Crossover Rev 7.2\H-Crossover.SchDocJ. Eck	

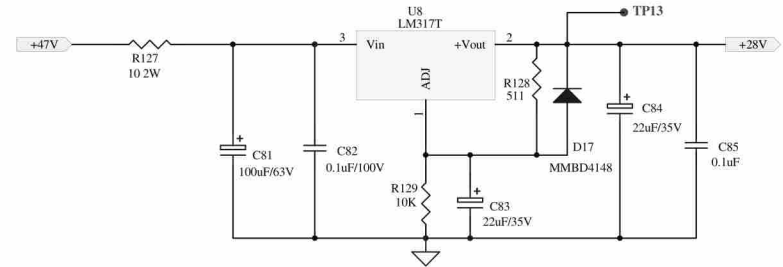
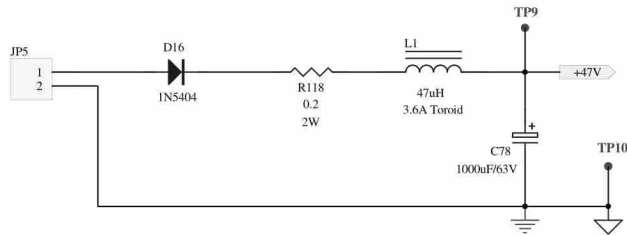


Title		
Size	Number	Revision
B	SOLO POWER AMP TWEETER LIMITER and AMP	REV 7.2
Date:	6/24/2008	Sheet 2 of 4
File:	U:\Altium schematics\1.Solo Crossover Rev2008\B Tweeter Limiter-Alt SchDoc	

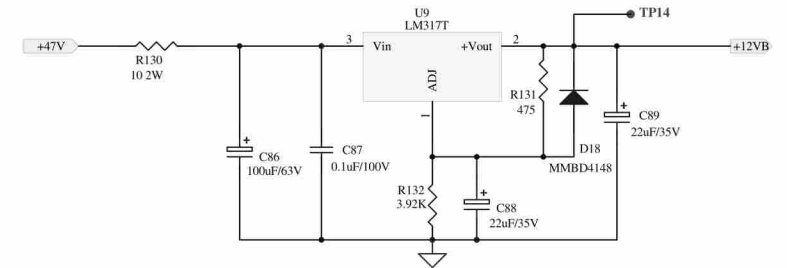
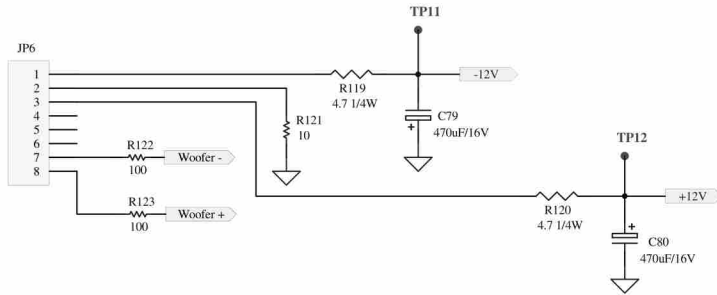


Title		
Size	Number	Revision
B	SOLO AMP CROSSOVER	REV 7.2
Date:	6/24/2008	Sheet 3 of 4
File:	U:\Altium schematics\Solo Crossover Rev7.2\Bass Limiter & Servo Power Up	

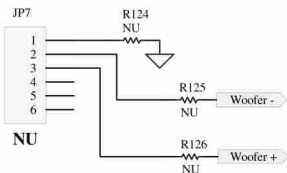
To J1 on ICEpower
200ASC Board,
+47Vdc Output



To J3 on
ICEpower
200ASC Board

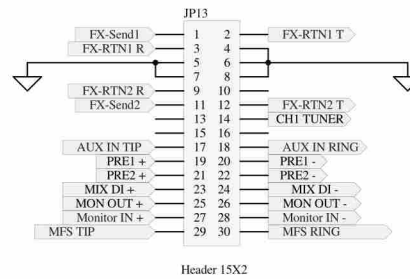


To J5 on
ICEpower
200AC Board
for Double Power

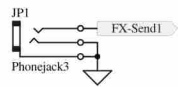


Title		
FISHMAN TRANSDUCERS		
Size	Number	Revision
B	SOLO AMP CROSSOVER	REV 7.2
Date:	6/24/2008	Sheet 4 of 4
File:	U:\Altium schematics\Solo Crossover Rev 7.2\4 - Hycrossover PowerSub Bc01k	

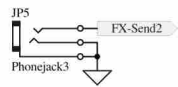
To JP3 on Main Preamp PCB



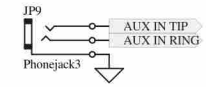
CH1 Effects Send



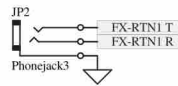
CH2 Effects Send



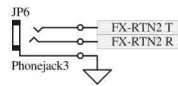
AUX INPUT



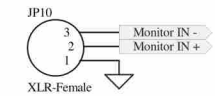
CH1 Effects Return



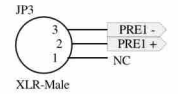
CH2 Effects Return



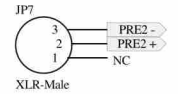
MONITOR INPUT



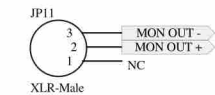
CH1 PRE DI OUT



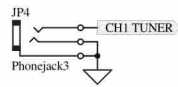
CH2 PRE DI OUT



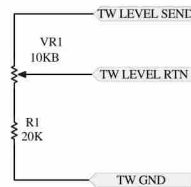
MONITOR OUTPUT



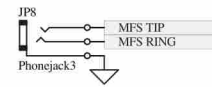
CH1 Tuner Out



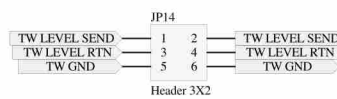
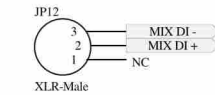
TWEETER LEVEL



MUTE FOOTSWITCH

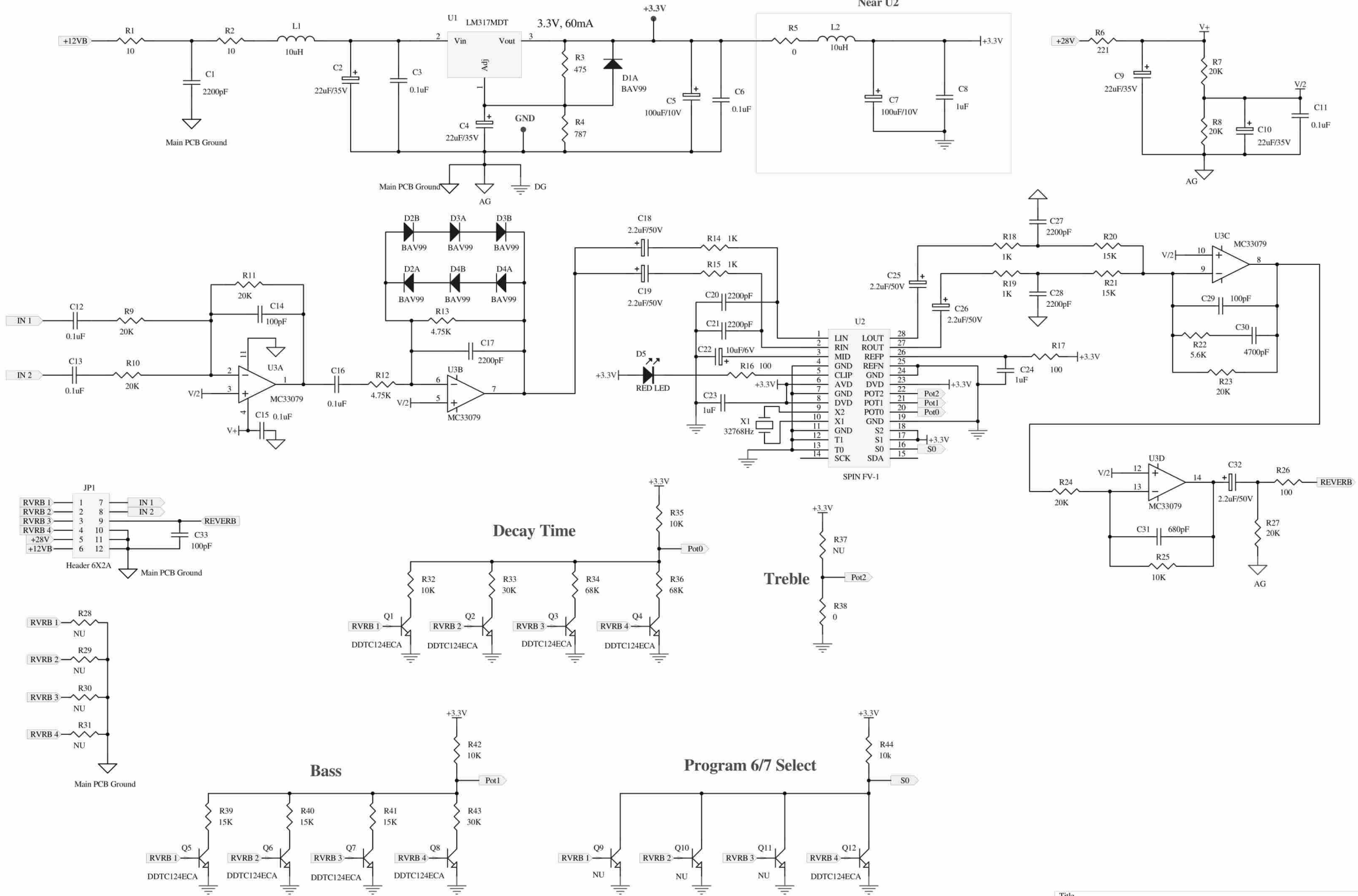


MIX DI OUT (POST)



To JP2 on PWR / Crossover PCB

Title Solo Amp - Rear Panel		
Size A3	Number	Revision REV 5.0
Date: 1/18/2008	Sheet 1 of 1	
File: U:\Altium schematics\Solo Amp Rear Panel Rev5.SchDoc\OHN ECK		



Title		
Solo Amp - Reverb Board		
Size	Number	Revision
A3		REV 6.2
Date:	2/20/2008	Sheet 1 of 1
File:	V:\Solo Amp Reverb Board Rev6.2 - Spin.SchDoc By: J. ECK	