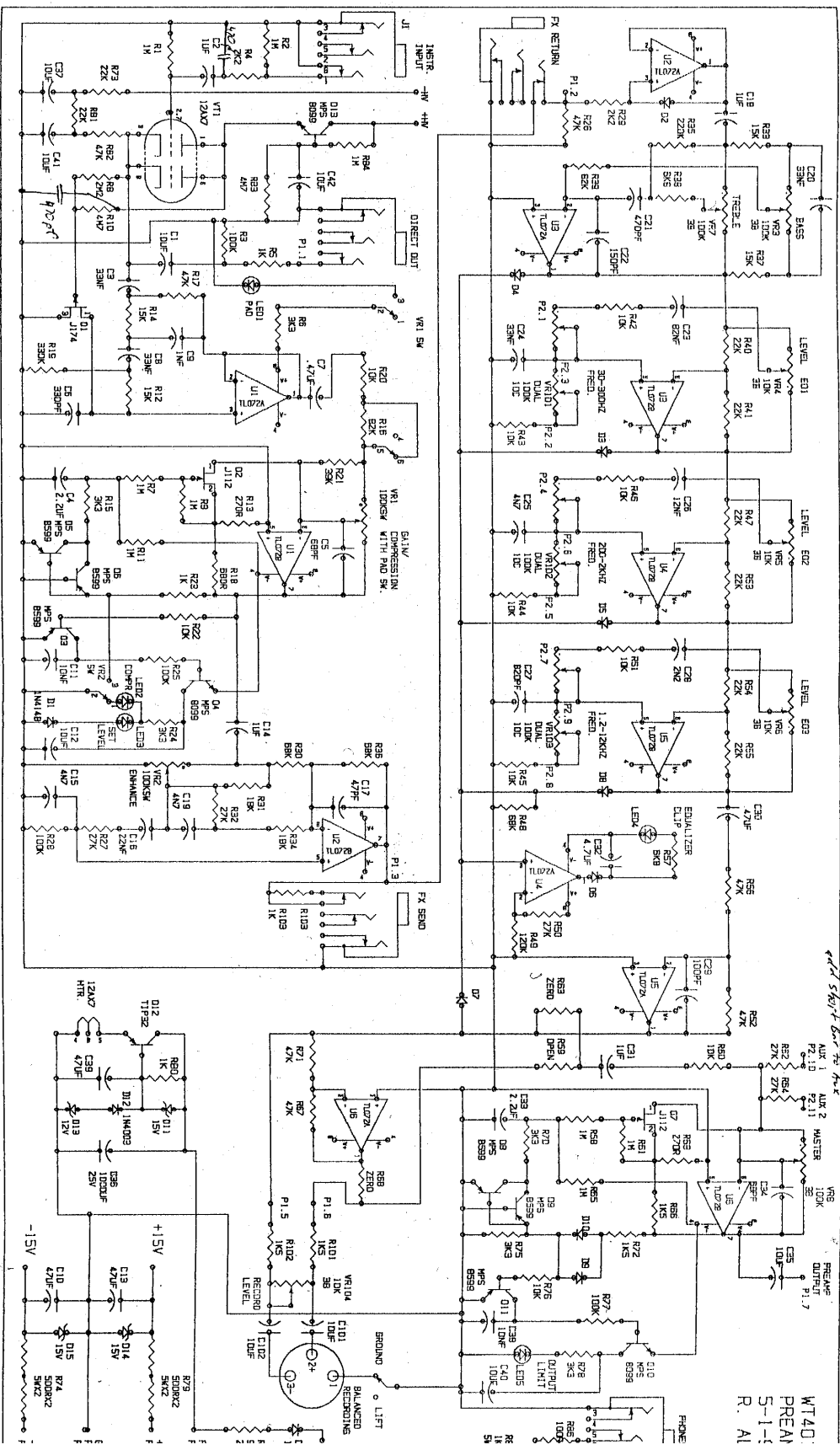
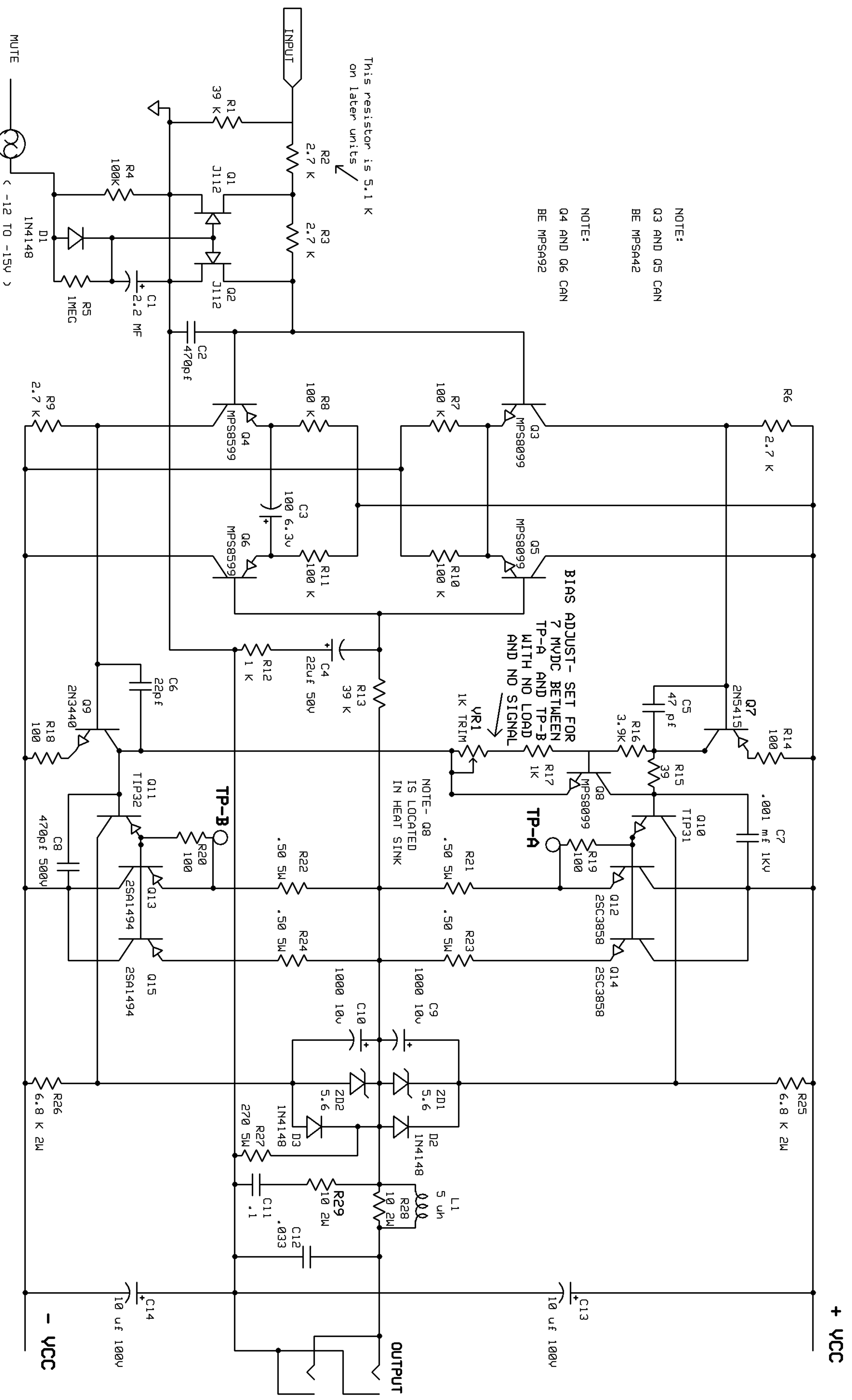


Standard WT-400

WT-400 Standard



WT400
PREAM
S-1-1
R. AL



NOTE:
 Q3 AND Q5 CAN
 BE MPSA42

NOTE:
 Q4 AND Q6 CAN
 BE MPSA92

BIAS ADJUST- SET FOR
 7 MVDC BETWEEN
 TP-A AND TP-B
 WITH NO LOAD
 AND NO SIGNAL

NOTE- Q8
 IS LOCATED
 IN HEAT SINK

This resistor is 5.1 K
 on later units

GAIN = X40

190 F
 OR
 210 F
 NC T-STAT

EDEN ELECTRONICS, INC	
PM 400 POWER AMPLIFIER	
David Eden	