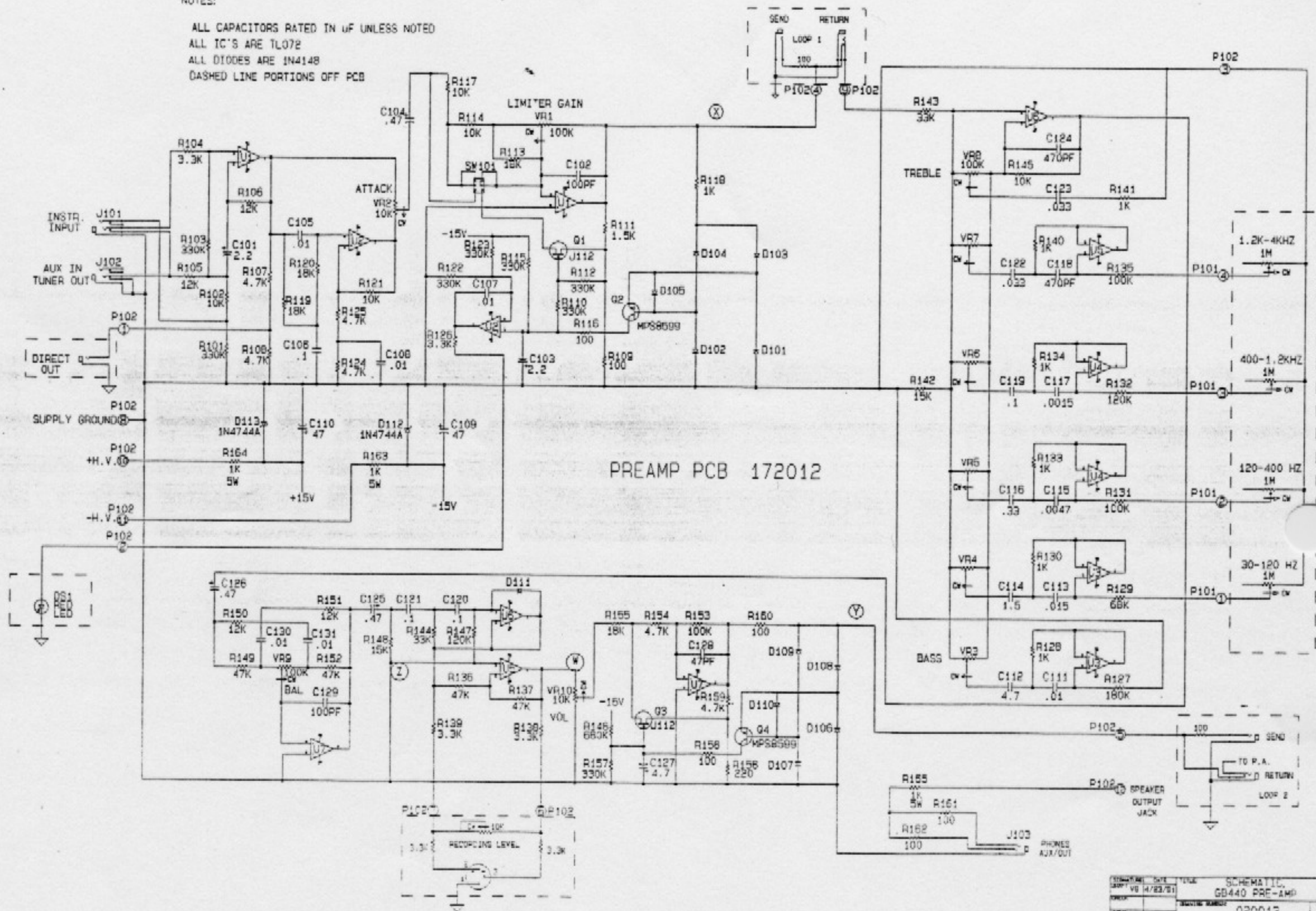


NOTES:

ALL CAPACITORS RATED IN  $\mu$ F UNLESS NOTED  
 ALL IC'S ARE TL072  
 ALL DIODES ARE 1N4148  
 DASHED LINE PORTIONS OFF PCB



SYMBOL	DATE	FILE
DRPT	VB 4/23/81	SCHEMATIC
ENGR		GB440 PRE-AMP
DATE		020013
SCALE	NONE	

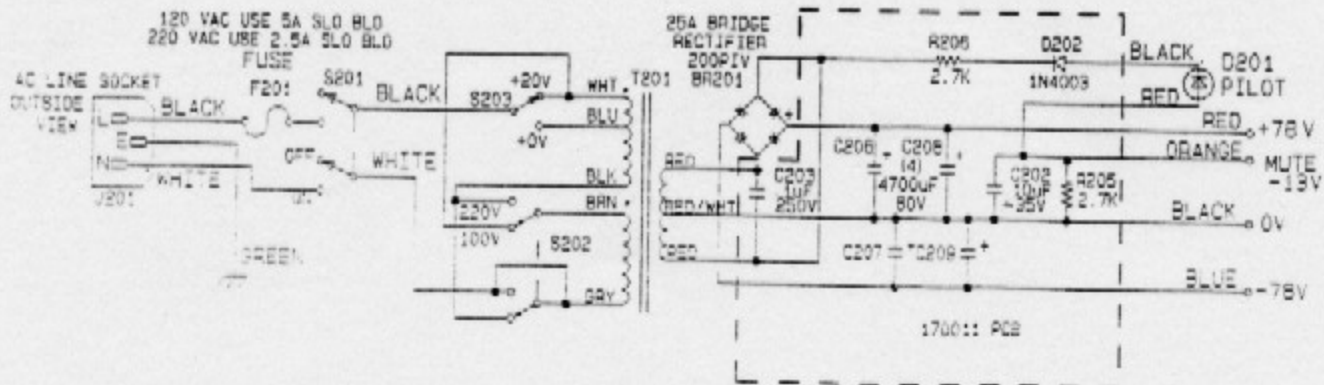
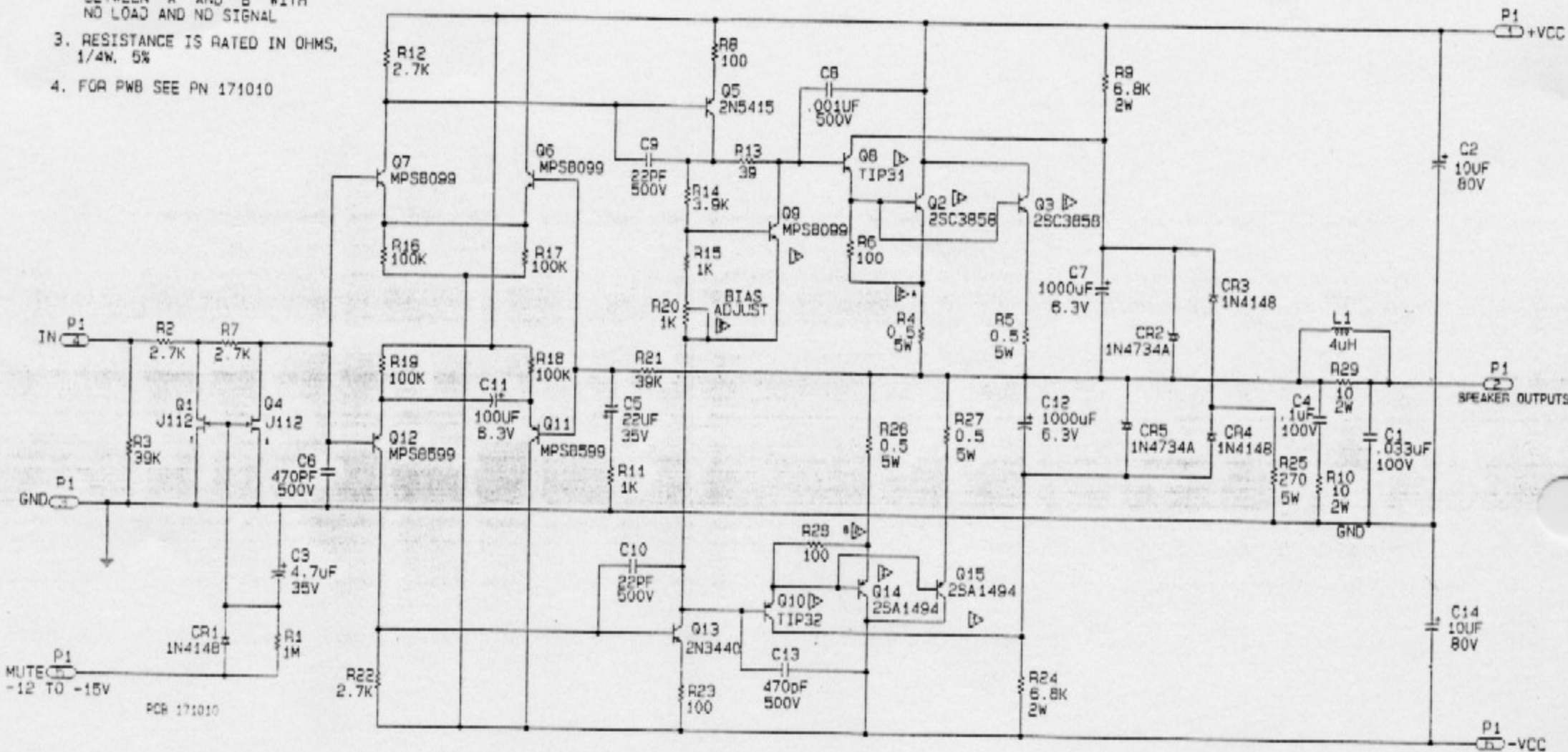
REVISION	DESCRIPTION	APPROVED
A	INITIAL RELEASE 7/3/91	
B	ADDED REF DES TO PWR SPLY/15/91	

NOTES: UNLESS OTHERWISE SPECIFIED

- ▶ HEATSINK MOUNTED
- ▶ SET BIAS ADJUST FOR 7MVDC BETWEEN "A" AND "B" WITH NO LOAD AND NO SIGNAL

3. RESISTANCE IS RATED IN OHMS, 1/4W, 5%

4. FOR PWB SEE PN 171010



GIBSON LASS 13348 SATELLOY ST N. HOLLYWOOD, CA 91605		SCHEMATIC, GB440 POWER AMP	
NAME V. GRIVAS	DATE 2/12/91	DWG. NO. 020011	REV. B