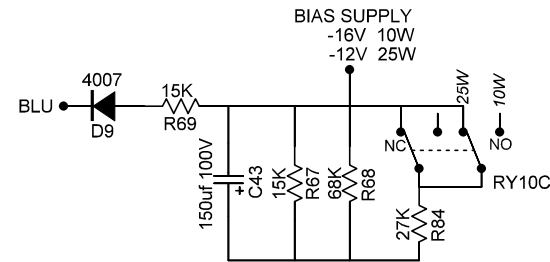
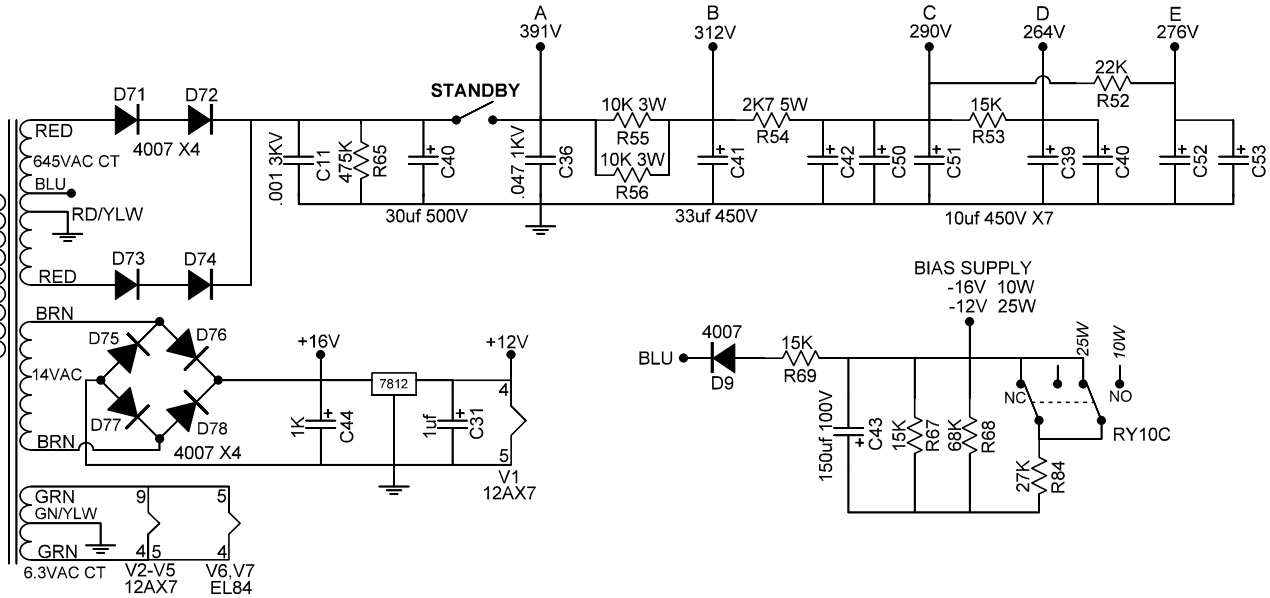
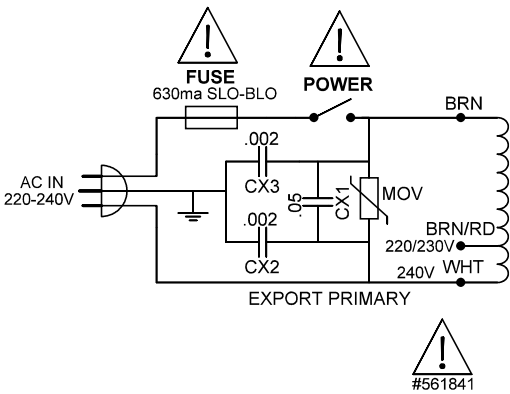
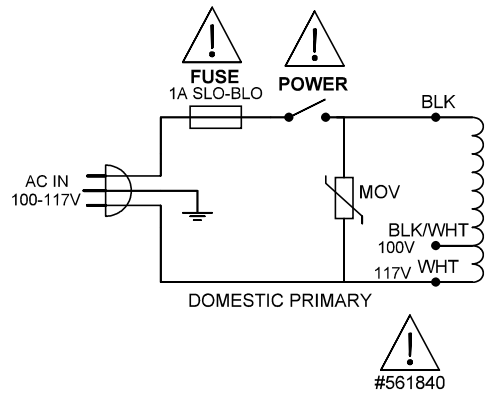


Covered under one or more
of the following patents:
5,168,438; 5,208,548; 5,559,469; 5,793,252;
6,522,752; 6,621,907; 6,724,897; 7,173,488;
7,193,468; 7,412,064; 7,602,927

MESA/BOOGIE	DATE: 1-7-2013
	PAGE: 1 OF 6
	DRAWN BY: JOHN M
	BOARD REV: REVS 1,2
MINI RECTIFIER 25	FILE NAME: MiniRec25
BLOCK DIAGRAM	
COPYRIGHT 2011 MESA BOOGIE, LTD.	



RELAY OPERATION:
 NC=NORMALLY CLOSED/NOT ENERGIZED
 NO=NORMALLY OPEN/ENERGIZED

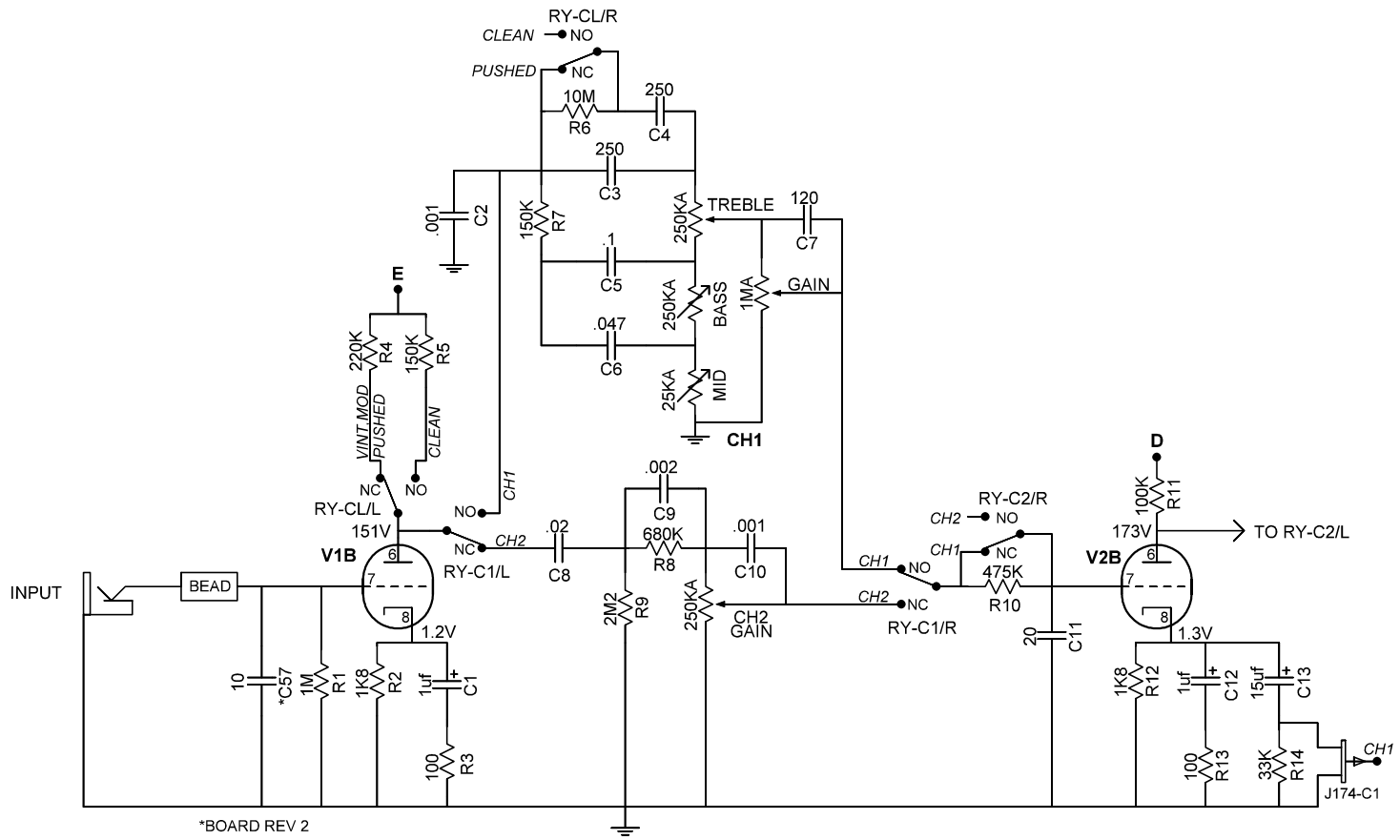
ALL RELAYS SHOWN
 IN NC/NOT ENERGIZED POSITION

ALL DIODES 1N4448
 UNLESS OTHERWISE NOTED

ALL VOLTAGES MEASURED WITH 117VAC IN,
 CH1, CLEAN MODE, 25W SETTING
 EXCEPT AS NOTED

Covered under one or more
of the following patents:
5,168,438; 5,208,548; 5,559,469; 5,793,252;
6,522,752; 6,621,907; 6,724,897; 7,173,488;
7,193,468; 7,412,064; 7,602,927

MESA/BOOGIE	DATE: 1-7-2013
	PAGE: 2 OF 6
	DRAWN BY: JOHN M
	BOARD REV: REVS 1,2
POWER SUPPLIES	FILE NAME: MiniRec25
COPYRIGHT 2011 MESA BOOGIE, LTD.	



*BOARD REV 2

RELAY OPERATION:

NC=NORMALLY CLOSED/NOT ENERGIZED
 NO=NORMALLY OPEN/ENERGIZED

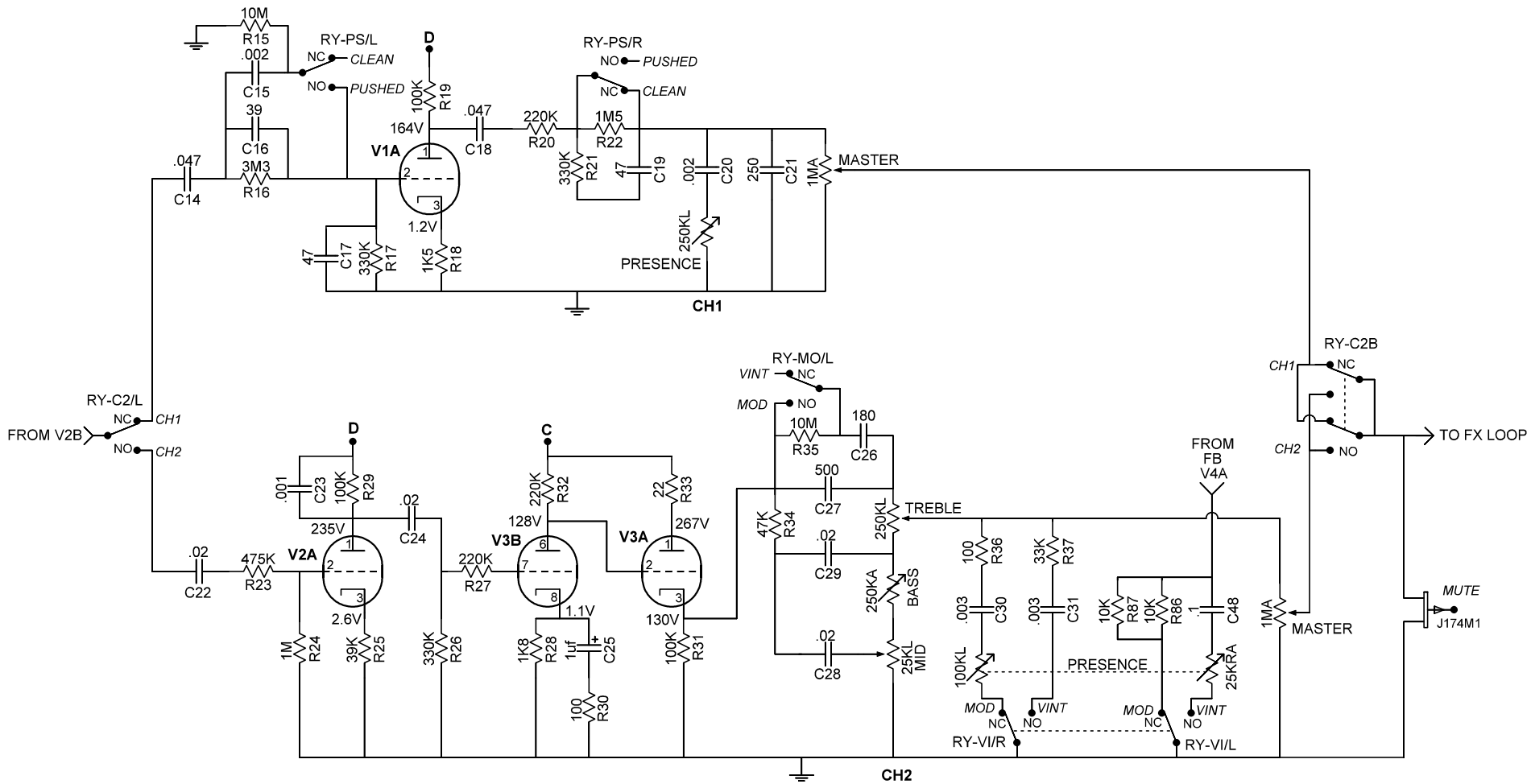
ALL RELAYS SHOWN
 IN NC/NOT ENERGIZED POSITION

ALL DIODES 1N4448
 UNLESS OTHERWISE NOTED

ALL VOLTAGES MEASURED WITH 117VAC IN,
 CH1, CLEAN MODE, 25W SETTING
 EXCEPT AS NOTED

Covered under one or more
 of the following patents:
 5,168,438; 5,208,548; 5,559,469; 5,793,252;
 6,522,752; 6,621,907; 6,724,897; 7,173,488;
 7,193,468; 7,412,064; 7,602,927

MESA/BOOGIE	DATE: 1-7-2013
	PAGE: 3 OF 6
	DRAWN BY: JOHN M
	BOARD REV: REVS 1,2
MINI RECTIFIER 25	FILE NAME: MiniRec25
PREAMP PART 1	
COPYRIGHT 2011 MESA BOOGIE, LTD.	



SWITCHABLE PRESENCE
PATENT #7,412,064

RELAY OPERATION:

NC=NORMALLY CLOSED/NOT ENERGIZED
NO=NORMALLY OPEN/ENERGIZED

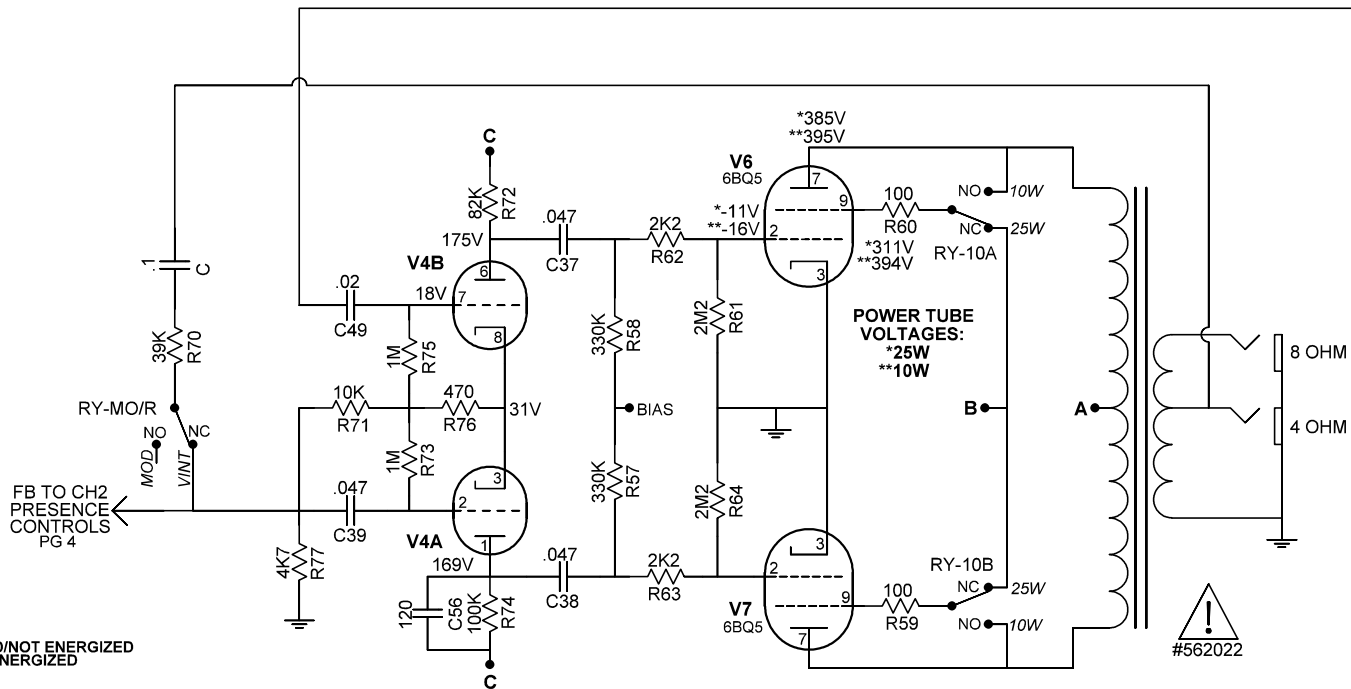
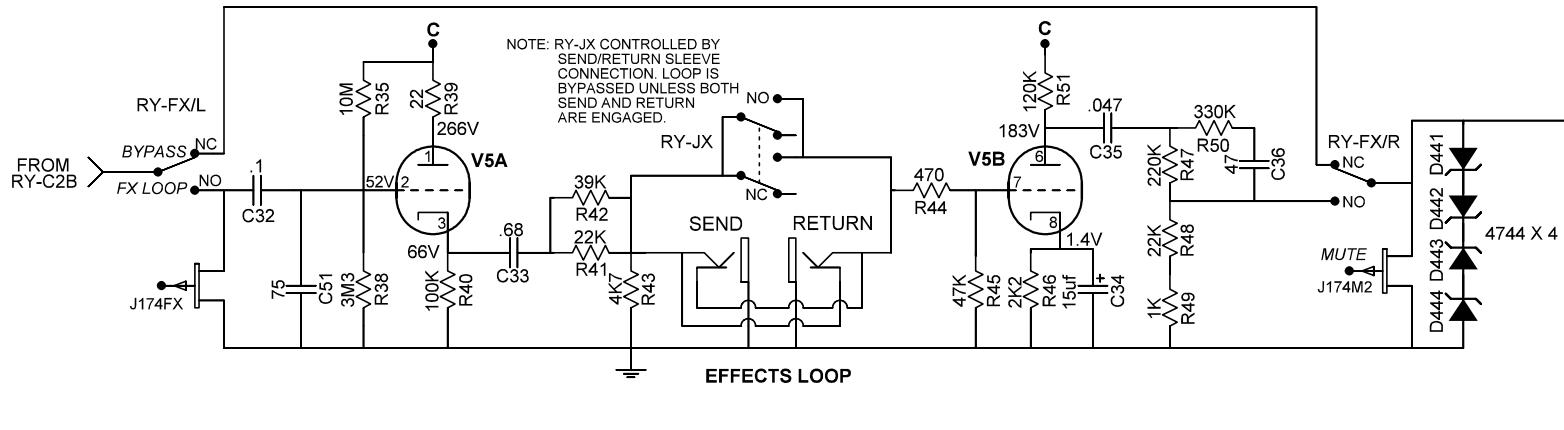
ALL RELAYS SHOWN
IN NC/NOT ENERGIZED POSITION

ALL DIODES 1N4448
UNLESS OTHERWISE NOTED

ALL VOLTAGES MEASURED WITH 117VAC IN,
CH1, CLEAN MODE, 25W SETTING
EXCEPT AS NOTED

Covered under one or more
of the following patents:
5,168,438; 5,208,548; 5,559,469; 5,793,252;
6,522,752; 6,621,907; 6,724,897; 7,173,488;
7,193,468; 7,412,064; 7,602,927

MESA/BOOGIE	DATE: 1-7-2013
	PAGE: 4 OF 6
	DRAWN BY: JOHN M
	BOARD REV: REVS 1,2
MINI RECTIFIER 25	FILE NAME: MiniRec25
PREAMP PART 2	
COPYRIGHT 2011 MESA BOOGIE, LTD.	



RELAY OPERATION:
 NC=NORMALLY CLOSED/NOT ENERGIZED
 NO=NORMALLY OPEN/ENERGIZED
 ALL RELAYS SHOWN
 IN NC/NOT ENERGIZED POSITION

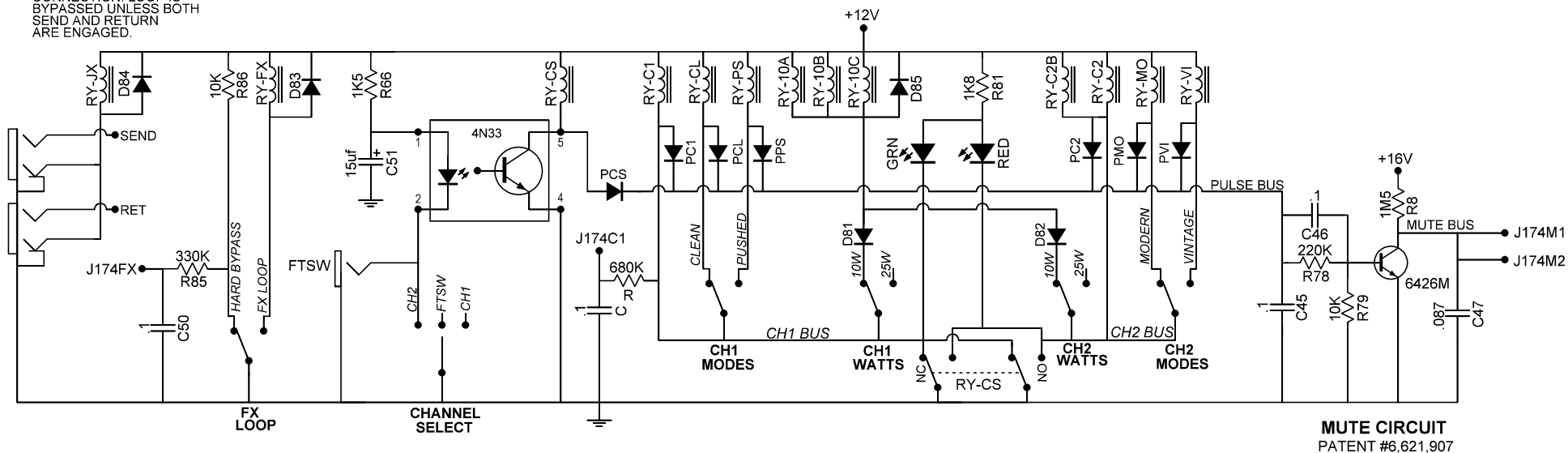
ALL DIODES 1N4448
 UNLESS OTHERWISE NOTED

ALL VOLTAGES MEASURED WITH 117VAC IN,
 CH1, CLEAN MODE, 25W SETTING
 EXCEPT AS NOTED

Covered under one or more
 of the following patents:
 5,168,438; 5,208,548; 5,559,469; 5,793,252;
 6,522,752; 6,621,907; 6,724,897; 7,173,488;
 7,193,468; 7,412,064; 7,602,927

MESA/BOOGIE	DATE: 1-7-2013
	PAGE: 5 OF 6
	DRAWN BY: JOHN M
	BOARD REV: REVS 1,2
MINI RECTIFIER 25	FILE NAME: MiniRec25
LOOP/DRIVER/POWER AMP	
COPYRIGHT 2011 MESA BOOGIE, LTD.	

NOTE: RY-JX CONTROLLED BY SEND/RETURN SLEEVE CONNECTION, LOOP IS BYPASSED UNLESS BOTH SEND AND RETURN ARE ENGAGED.



RELAY FUNCTIONS:

RY-CS: CHANNEL BUS
 RY-C1: CH1 TONE/CH2 GAIN SELECT
 RY-C2: V2B GRID/
 RY-C2B: MASTER SELECT
 RY-CL: V1A PLATE/CH1 TREBLE CAP
 RY-PS: V1A GRID/R22 BYPASS
 RY-VI: CH2 PRESENCE
 RY-MO: FEEDBACK/CH2 TREBLE CAP
 RY-10A: V6 SCREEN
 RY-10B: V7 SCREEN
 RY-10C: BIAS 10W MODE
 RY-FX: LOOP CIRCUIT BYPASS
 RY-JX: SEND/RETURN JACK BYPASS

FET FUNCTIONS:

J174M1: MASTER MUTE
 J174M2: DRIVER INPUT MUTE
 J174FX: LOOP CIRCUIT BYPASS MUTE
 J174C1: V2B CATHODE CH1

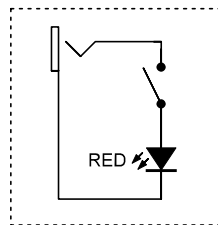
RELAY OPERATION:

NC=NORMALLY CLOSED/NOT ENERGIZED
 NO=NORMALLY OPEN/ENERGIZED

ALL RELAYS SHOWN
 IN NC/NOT ENERGIZED POSITION

ALL DIODES 1N4448
 UNLESS OTHERWISE NOTED

ALL VOLTAGES MEASURED WITH 117VAC IN,
 CH1, CLEAN MODE, 25W SETTING
 EXCEPT AS NOTED



FOOTSWITCH

Covered under one or more
 of the following patents:
 5,168,438; 5,208,548; 5,559,469; 5,793,252;
 6,522,752; 6,621,907; 6,724,897; 7,173,488;
 7,193,468; 7,412,064; 7,602,927

MESA/BOOGIE	DATE: 1-7-2013
	PAGE: 6 OF 6
	DRAWN BY: JOHN M
	BOARD REV: REVS 1,2
MINI RECTIFIER 25	FILE NAME: MiniRec25
SWITCH MATRIX	
COPYRIGHT 2011 MESA BOOGIE, LTD.	

April 2013 Mesa/Boogie Tech Bulletin

Mini Rectifier 25

10 Watt Dropout Update

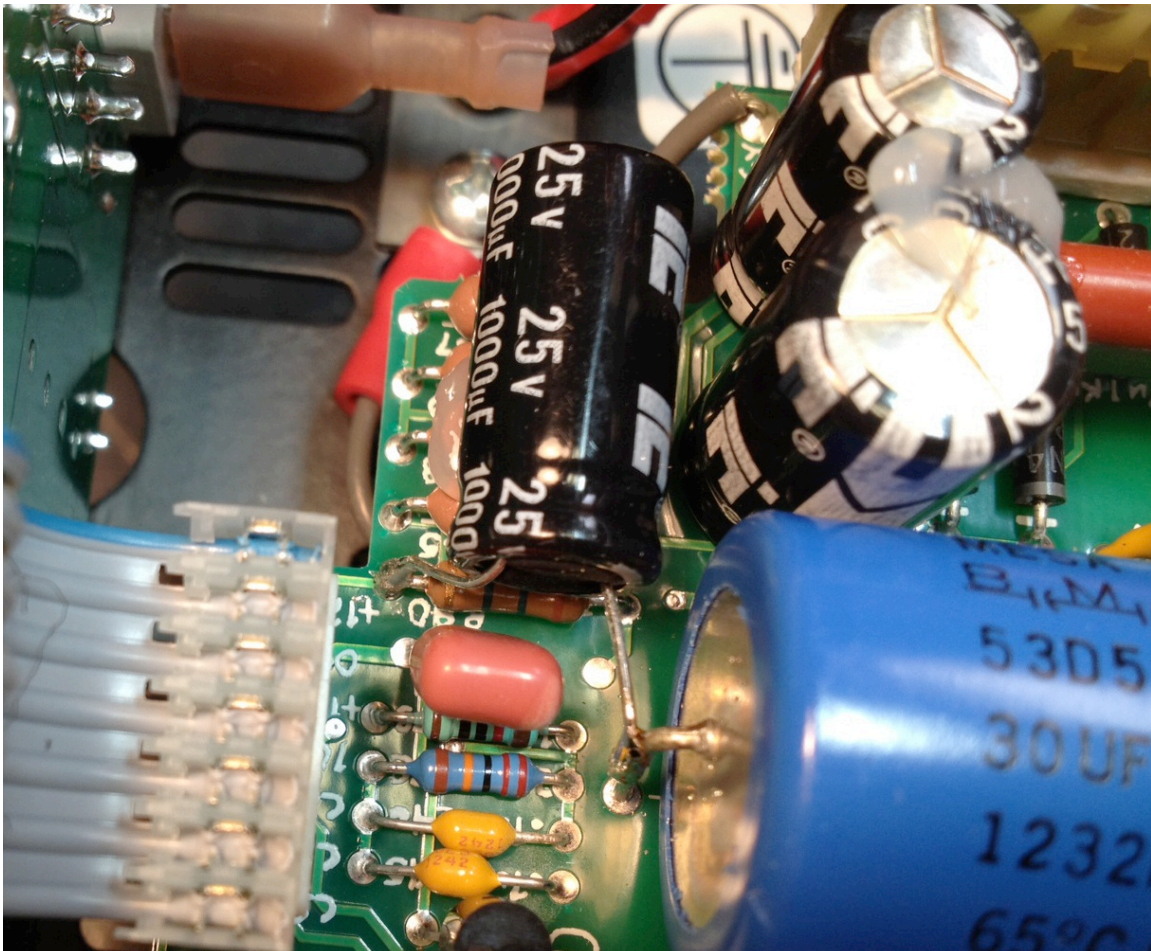
Amplifiers affected: Serial #4511 and below

Symptom: Amp will drop to very low volume levels when switched to the 10 Watt mode in either channel.

Cause: Extra current draw from 10 Watt mode causes mute circuit to engage. This can be exaggerated by low line levels.

Fix: Add a 1kuf 25V electrolytic filter cap to the +16V supply.

Connect filter cap as shown, with the negative end connecting to ground at the 30uf 500V filter cap and the positive end connecting to the +16V supply at the forward end of R80 (1M5). Add a small amount of silicone under the cap for support.



October 2013 Mesa/Boogie Tech Bulletin

Mini-Rec Dropout Update

Amplifiers affected: Serial #5510 and below.

Symptom: Audio signal will drop out intermittently in Ch1.

Fix: Add a .1uf 50V cap across the Ch2 LED. Mesa part #526013.

Install cap as shown.

