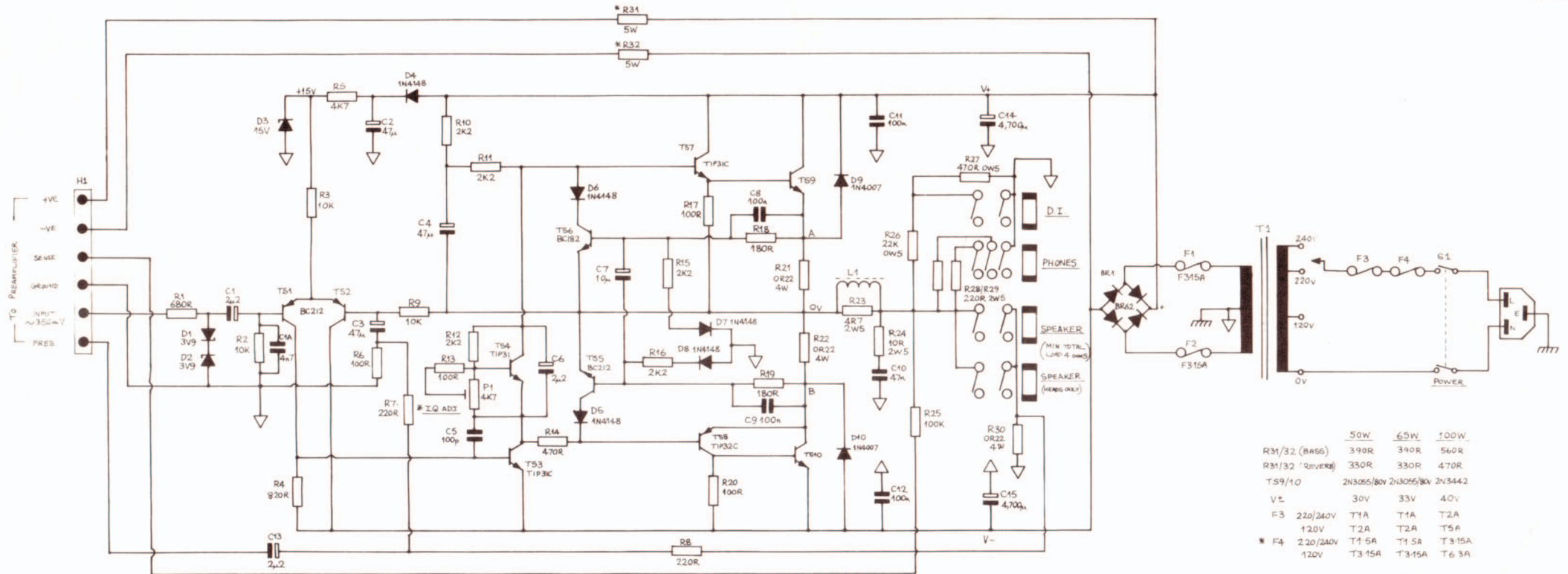


ISSUE	DESCRIPTION	APPD.	DATE	TITLE	DRAWN	TRACED	CHECKED	APPROVED	DATE
				LANEY LINEBACKER PREAMP. (MODELS: 50R, 65R, 100R, 100RH)					12/5/86
2	C4 DELETED. R12A ADDED		30/5/86		DRAWING No. 1119				



\* QUIESCENT CURRENT ADJ.  
 ADJUST P1 WHEN COLD TO GIVE VOLTAGE A+B OF MIN 10mV MAX 30mV

	50W	65W	100W
R31/32 (BASS)	390R	390R	560R
R31/32 (TREBLE)	330R	330R	470R
TS9/10	2N3055/80V	2N3055/80V	2N3442
V±	30V	33V	40V
F3	220/240V	T1A	T1A
	120V	T2A	T2A
* F4	220/240V	T1.5A	T1.5A
	120V	T3.15A	T3.15A

\* (INTERNAL WHEN FITTED)

ISSUE	DESCRIPTION	APPD.	DATE	TITLE	DRAWN	TRACED	CHECKED	APPROVED	DATE
				LANEY POWER MODULE MODELS:- LB50B, LB50R, LB65B, LB65R, LB100R, LB100B, LB100BH, LB100RH	<i>[Signature]</i>				6/6/86
						DRAWING No.	1121		