



## BASSBREAKER™ 007

(This is the model name for warranty claims)

p/n 2262000000 (COMBO 120V)

p/n 2263000000 (HEAD 120V)

# SERVICE MANUAL



### **ATTENTION:**

#### **WARRANTY SERVICE PROCEDURES**

The Bassbreaker 007 Amplifier is considered to be field serviceable to the component level. As such stuffed PCB Assemblies are not readily available for this unit. Any Fender Authorized Service Center in need of a warranty replacement PCB Assembly for this unit should contact FMIC Tech Support and you will be instructed on how to proceed.



## BASSBREAKER™ 007

(This is the model name for warranty claims)

### IMPORTANT NOTICE

- Copyright © 2015 FMIC. All rights reserved. All information contained herein is CONFIDENTIAL and PROPRIETARY and is the property of Fender Musical Instruments Corporation. It is not to be sold or assigned to another party and is disclosed solely for use by Fender® Authorized Service Centers for purposes of product service and maintenance. All information is not to be disclosed to others without the expressed permission of Fender Musical Instruments Corporation. All

specifications are subject to change without notice. This information and any copies produced electronically or otherwise must be surrendered upon demand of Fender Musical Instruments Corporation.

- Parts marked with the “△” symbol indicate the required use of that specific part. This is necessary for RELIABILITY and SAFETY requirements. **DO NOT USE A SUBSTITUTE!**

### PARTS LIST CODES

The description codes used in the itemized Parts Lists are defined below:

#### CAPACITOR CODES

|         |   |                          |
|---------|---|--------------------------|
| CAP AE  | = | Aluminum Electrolytic    |
| CAP CA  | = | Ceramic Axial            |
| CAP CD  | = | Ceramic Disk             |
| CAP CR  | = | Ceramic Radial           |
| CAP MPF | = | Metalized Polyester Film |
| CAP MY  | = | Mylar                    |
| CAP PFF | = | Polyester Film/Foil      |

#### RESISTOR CODES

|         |   |             |
|---------|---|-------------|
| RES CC  | = | Carbon Comp |
| RES CF  | = | Carbon Film |
| RES FP  | = | Flame Proof |
| RES MF  | = | Metal Film  |
| RES MOX | = | Metal Oxide |
| RES WW  | = | Wire Wound  |

#### HARDWARE CODES

|      |   |                        |
|------|---|------------------------|
| BLX  | = | Black Oxide            |
| CR   | = | Chrome Plated          |
| HWH  | = | Hex Washer Head        |
| M    | = | Machine Screw          |
| NI   | = | Nickel Plated          |
| OHP  | = | Oval Head Phillips     |
| PB   | = | Particle Board         |
| PHP  | = | Pan Head Phillips      |
| PHPS | = | Pan Head Phillips Sems |
| SMA  | = | Sheet Metal "A" Point  |
| SMB  | = | Sheet Metal "B" Point  |
| SS   | = | Stainless Steel        |
| TF   | = | Thread Forming         |
| ZI   | = | Zinc Plated            |



# BASSBREAKER™ 007

(This is the model name for warranty claims)

## SPECIFICATIONS

|   |   |                     |
|---|---|---------------------|
| <b>Model Name:</b>                                    | <b>BASSBREAKER 007 Combo</b><br><b>BASSBREAKER 007 Head</b> |                     |
| <b>Release Number:</b><br><i>(Not a model number)</i> | PR 3032   |                     |
| <b>Part Numbers</b>                                   | <b>(120V, 60Hz) US:</b>                                     | 2262000000          |
| <b>COMBOS:</b>  | <b>(110V, 60Hz) TW:</b>                                     | 2262001000          |
|   | <b>(240V, 50Hz) AUS:</b>                                    | 2262003000          |
|   | <b>(230V, 50Hz) UK:</b>                                     | 2262004000          |
|   | <b>(230V, 50Hz) ARG:</b>                                    | 2262005000          |
|   | <b>(230V, 50Hz) EUR:</b>                                    | 2160506000          |
|   | <b>(100V, 50Hz) JPN:</b>                                    | 2262007000          |
|   | <b>(220V, 60Hz) ROK:</b>                                    | 2262009000          |
| <b>Part Numbers</b>                                   | <b>(120V, 60Hz) US:</b>                                     | 2263000000          |
| <b>HEADS:</b>   | <b>(110V, 60Hz) TW:</b>                                     | 2263001000          |
|   | <b>(240V, 50Hz) AUS:</b>                                    | 2263003000          |
|   | <b>(230V, 50Hz) UK:</b>                                     | 2263004000          |
|   | <b>(230V, 50Hz) ARG:</b>                                    | 2263005000          |
|   | <b>(230V, 50Hz) EUR:</b>                                    | 2163506000          |
|   | <b>(100V, 50Hz) JPN:</b>                                    | 2263007000          |
|   | <b>(220V, 60Hz) ROK:</b>                                    | 2263009000          |
| <b>Power Requirement:</b>                             | 55W   |                     |
| <b>Power Output:</b>                                  | 7W RMS into 8 ohms @ 25 %THD                                |                     |
| <b>Impedances</b>                                     | <b>Input :</b>  | 1 Meg Ohms          |
|   | <b>Line Out:</b>  | 100 ohms            |
| <b>Dimensions (Combo)</b>                             | <b>Height:</b>  | 15.81 in (40.02 cm) |
|   | <b>Width:</b>   | 14.75 in (37.5 cm)  |
|   | <b>Depth:</b>   | 8.5 in (21.6 cm)    |
|   | <b>Weight:</b>  | 25.5 lbs (11.5 kg)  |



## **BASSBREAKER™ 007**

(This is the model name for warranty claims)

### **Dimensions (Head)**

**Height:** 15.81 in (40.02 cm)

**Width:** 8.94 in (37.5 cm)

**Depth:** 8 in (20.3 cm)

**Weight:** 16.6 lbs (8 kg)

*Product specifications are subject to change without notice*



## BASSBREAKER™ 007

(This is the model name for warranty claims)

# SERVICE NOTES

As modern day amplifiers are more compact and sophisticated proper wire dress becomes a critical issue, both for the sake of Safety and FCC Certification. It is highly recommended that before disassembly you take digital photos to use as a reference during reassembly, for wire and component dress. Factory set locations for wire dress, wire ties, ferrites, and anchors should be maintained at all times. Use the following procedures to disassemble the Bassbreaker 007 for service access.

**CHASSIS REMOVAL** is accomplished by first removing the five (5) screws from the rear upper screen. Next remove the five (5) screws which secure the rear lower panel to the cabinet. Unplug the speaker cable from the speaker output jack. Remove the two (2) side chassis screws (4 total) on the left and right side of the cabinet. Now supporting the chassis remove the two (2) top chassis screws and remove the chassis from the cabinet. Access to the inside of the chassis can then be accomplished by removing the six (6) screws which secure the rear chassis cover and folding it back out of the way.

**REAR PANEL I/O PCB ASSEMBLY REMOVAL** is accomplished by first unplugging the three (3) Fast on spaded lug connectors at designation #P32-P34 from the I/O PCB Assembly. Next unplug the three (3) multi-wire connectors at designation #P1-P3 on the I/O PCB Assembly. Remove the three Jack Nuts and Washers from the rear panel and separate the PCB from the Rear Panel.

**TOP PANEL CONTROL PCB ASSEMBLY REMOVAL** begins by unplugging the multi-pin connectors P26-P31 located across the back of the PCB. **Note: All of the 2-pin connectors on this PCB are the same type so if removal of all the cables at the same time is required you should**

**mark them to identify their location during reassembly.** Clip the four (4) wire ties holding these wires to the anchor holes in the PCB. Remove the five (5) top panel control nuts and washers and the input jack nut and washer to separate the PCB from the Top Panel. *It may not be necessary to completely remove the PCB for simple repairs such as replacing the Input Jack or the Potentiometers. By removing the five (5) top panel control nuts and washers and the one (1) input jack nut and washer the PCB can be separated from the chassis. It can now be tilted in such a way to give sufficient access for component replacement.*

**TUBE PCB ASSEMBLY REMOVAL** starts by removing the tubes and the eleven (11) screws which hold the PCB to the bottom side of the chassis. At this point by pulling up on the PCB and tilting it forward you should have enough access to replace most of the components located on the board. If it becomes necessary to remove the PCB it is best done by also removing the Power Supply PCB Assembly at the same time. This is due to the fact that the boards are hardwired together. The procedure for removing the Power Supply PCB Assembly follows below. Again it is a very good idea to take a few digital photos before disassembly to make sure original factory wire dress is maintained.

**POWER SUPPLY PCB ASSEMBLY REMOVAL** as stated above must be accomplished by first removing the Top Panel Control PCB Assembly. You will now need to free the Tube PCB Assembly from the chassis following the directions above. Unplug all the transformer lead fast on spaded lugs from the Tube PCB and the Power Supply PCB noting their position for reassembly. Remove the eight (8) screws which secure the Power Supply PCB to the chassis front. You can now remove both PCB Assemblies together to gain service access.



## BASSBREAKER™ 007

(This is the model name for warranty claims)

# PCB EXCHANGE POLICY

Parts marked with a single asterisk (\*) in the Part Lists are not field replaceable. If a failure due to one of these components is detected, please con-

tact the FMIC Customer Service Department to order the complete PCB Assembly.

# CIRCUIT DESCRIPTION

This section provides concise information about new or unusual circuit designs incorporated into this amplifier model. The purpose is to aid the service technician by providing insight into the design areas most likely to become obstacles in troubleshooting. Information is focused for its effective use while maintaining the security of Fender® proprietary information wherever possible.

## **PRE-AMPLIFIER**

The guitar input signal is injected into INPUT jack J5 on the CONTROL PCB. Via a coax, this signal is fed to the TUBE PCB to a tube gain stage (V1-A). Note that plate & cathode resistors are non-typical values for Fender tube amps. Its cathode bypass cap C27 is switched in and out of the cathode circuit by JFET switch Q3. This switching provides part of the control for the TREBLE BOOST function that offers increased gain and an emphasis on the guitar's treble frequency range.

AC coupling cap C19 feeds the GAIN control via a coax. GAIN control R56 is on the CONTROL PCB. Its wiper feeds a coax to send the signal back to the TUBE PCB to the second tube gain stage (V1-B). Its cathode circuit (C22 & Q2) is apart of the TREBLE BOOST's gain switching function.

The signal flow continues on the TUBE PCB to the third tube gain stage (V2-A). AC coupling cap C18 feeds a coax to send the signal to the TREBLE/BASS/MID tone control circuit (R59, R57, R58 respectively) found on the CONTROL PCB.

The wiper of the VOLUME control (R60) is coupled through coax to the fourth gain stage (V2-B) on the

TUBE PCB. Its cathode circuitry is the POWER AMPLIFIER's feedback control loop network.

## **POWER AMPLIFIER**

The Power Amplifier is a single-ended Class-A design using one EL84 (V3-A). Its cathode bias is set at approximately 40mA using the 5W power resistor R29. Screen grid bias is set through R16.

The plate drives a custom designed single-ended output transformer (T1 – FMIC # 7706163000) to provide an impedance match with the specified 8 Ohm speaker load. T1's primary is connected to the TUBE PCB and its secondary is connected to the REAR PANEL PCB.

For the COMBO version, the internal speaker is connected to T1's secondary thru terminals P35 & P36. The internal speaker is disconnected when the SPEAKER OUT jack (J3) is connected to an 8 Ohm speaker load.

For the HEAD version, the amplifier can only drive an 8 Ohm rated speaker through the SPEAKER OUT jack (J3).

Voltage divider R6 & R5 creates the signal reduction for the LINE OUT feature offered on the Bassbreaker 007 for interconnection to other guitar amps or sound reinforcement equipment. Use of the LINE OUT does not mute any speaker output capability. (NOTE: this feature does not work without a speaker installed on the head.)



## BASSBREAKER™ 007

(This is the model name for warranty claims)

### POWER SUPPLY

The Power Supply circuitry is found on the POWER SUPPLY PCB. Its circuitry is typical of a Fender tube amplifier. The secondary side of the Power Transformer consists of 3 windings: high-voltage winding, low-voltage winding and heater winding.

The high voltage secondary winding is used to generate the high voltage DC power supplies in the amplifier. The high voltage DC power supply is energized through a full-wave bridge rectifier configuration to filter cap C15. The "voltage-drop" resistors R11 thru R13, along with their associated filter capacitors C11-13, provide the DC plate or screen-grid voltages that are used to bias the tube stages in the design. These supplies are routed to the TUBE PCB circuitry through 18 AWG wiring.

The low voltage secondary winding feeds a full-wave bridge & filter configuration to create input DC voltages for regulators U1 & U2. These heat-sinked ICs generate the low voltage +/-16V DC power supply. A primary function of this circuitry is to provide DC filament drive to the V1 & V2 heaters. The DC bipolar filament voltages couple to the heaters through R9 & 10 on the POWER SUPPLY PCB. A cable connects this supply to the filament on the TUBE PCB. A cable also connects the low voltage supplies to the REAR PANEL PCB to power the control circuitry described later.

The heater secondary winding produces a 6.8VAC power supply that energizes the EL-84 (V3) heater's filament only. This secondary is connected to terminals on the TUBE PCB.

The POWER INDICATOR LED is energized by the positive low voltage regulated supply on the POWER SUPPLY PCB. The LED is routed for insertion into the rear of the front panel jewel with power connections through its red & white wires.

### FOOTSWITCH CONTROL

The FOOTSWITCH circuitry is found on the REAR PANEL PCB. This circuitry allows footswitch or front panel control of the TREBLE BOOST feature.

Note that with a footswitch inserted in J1, it defeats any control capability from the control panel's TREBLE BOOST switch. Transistor Q1 acts as the electronic switch for the TREBLE BOOST whether it is controlled by the control panel switch (S1) or the optional footswitch (7706424000) according to the logic described above.

One cable connects the REAR PANEL PCB to the CONTROL PANEL PCB to connect the control panel's TREBLE BOOST switch to the base of Q1. Another cable connects the REAR PANEL PCB to the TUBE PCB to provide the TREBLE BOOST control signal to the gates of the Q2 & Q3 switching circuits described in the PRE-AMPLIFIER section.



# BASSBREAKER™ 007

(This is the model name for warranty claims)

| PARTS LIST: |            | PCB ASSEMBLY                              |                             |
|-------------|------------|---|-----------------------------|
| QTY.        | PART #     | DESCRIPTION                               | REFERENCE DESIGNATION       |
| 2           | 0019993000 | CAP AE AX 2200uF 35V 20%                  | C14 C16                     |
| 3           | 0051720000 | CAP AE AX 22uF 450V 20%                   | C11, C12, C13               |
| 2           | 0038693001 | CAP AE AX 47uF 16V 20%                    | C22,C30                     |
| 1           | 0051719000 | CAP AE AX 47uF 450V 20%                   | C15                         |
| 1           | 7708488000 | △CAP AE AX 47uF 50V 20% + 105C            | C26                         |
| 2           | 0028463003 | CAP AE RDL 10uF 50V 20%                   | C8,C9                       |
| 1           | 0028467003 | CAP AE RDL 22uF 50V 20%                   | C31                         |
| 1           | 0038703001 | CAP CA .1uF 50V                           | C3                          |
| 2           | 0051406003 | CAP CD 220pF 500V 10%                     | C1, C2                      |
| 1           | 0020867002 | CAP CD 330pF 1000V 10%                    | C32                         |
| 4           | 0025995000 | CAP CD 8200pF 1000V 20%                   | C4,C5,C6,C10                |
| 1           | 0027262003 | CAP MPF .0068uF 100V 10%                  | C34                         |
| 1           | 0027264003 | CAP MPF .01uF 100V 10%                    | C33                         |
| 1           | 0027280003 | CAP MPF .15uF 63V 10%                     | C27                         |
| 1           | 0027279003 | CAP MPF .1uF 100V 10%                     | C17                         |
| 1           | 0053860000 | △CAP MPF .1uF 250VAC 20%                  | C7                          |
| 2           | 0033477003 | CAP MPF .68uF 63V 10%                     | C25.C28                     |
| 1           | 0024823000 | CAP MPF RDL .01uF 400V 10%                | C24                         |
| 1           | 0024845000 | CAP MPF RDL .047uF 400V 10%               | C35                         |
| 1           | 0024833000 | CAP MPF RDL .022uF 400V 10%               | C36                         |
| 1           | 0024862000 | CAP MPF RDL .22uF 400V 10%                | C18                         |
| 2           | 0026202002 | CAP PFF .0022uF 400V 10%                  | C19,C21                     |
| 1           | 0030926003 | CAP PFF RDL 470pF 50V 5%                  | C29                         |
| 1           | 7706518000 | CTRL SNAPIN 25k 10A TAPER 180--D SHAFT    | R58                         |
| 1           | 0096458000 | CTRL SNAPIN 1M 5A TAPER 180--D SHAFT      | R57                         |
| 2           | 0096459000 | CTRL SNAPIN 250K 15A TAPER 180--D SHAFT   | R56, R60                    |
| 1           | 0096460000 | CTRL SNAPIN 250K 30A TAPER 180--D SHAFT   | R59                         |
| 10          | 0026730001 | △DIODE 1N4006 800V 1A                     | D1-10                       |
| 1           | 0057928000 | △DIODE ZEN 1N5363B 30V 5W 5%              | D11                         |
| 2           | 7708801000 | △FUSE 213 TYPE 22.5 X 5.8 TIME LAG 1A AXL | FUSE F2, F4                 |
| 1           | 7708802000 | △FUSE 213 TYPE 22.5 X 5.8 TIME LAG 2A AXL | FUSE F3                     |
| 10          | 0072493000 | HDR 2.5mm CTR 2 CKT SQ PIN                | P16-17, P20-21, P25, P27-31 |
| 6           | 0072495000 | HDR 2.5mm CTR 3 CKT SQ PIN                | P1-4, P24, P26              |
| 2           | 0091148000 | HDR 2.5mm CTR 6 CKT SQ PIN                | P11, P15                    |
| 1           | 0013562000 | △IC REGULATOR +15V MC7815CT               | U1                          |
| 1           | 0013564000 | △IC REGULATOR -15V MC7915CT               | U2                          |
| 4           | 0063213000 | JACK PCB STEREO CLOSED CKT                | J1-3, J5                    |
| 7           | REF        | WIRE JUMPER                               | JMP1-4, (JMP-5-HEAD ONLY)   |
| 2           | 0026368001 | RES CF 1/2W 5% 100ohm LL                  | R33, R40                    |
| 3           | 0024967001 | RES CF 1/4W 5% 1.2k LL                    | R25, R36, R43               |
| 5           | 0024997001 | RES CF 1/4W 5% 100k LL                    | R26, R28, R44, R49, R55     |
| 1           | 0024952001 | RES CF 1/4W 5% 100ohm LL                  | R5                          |
| 2           | 0025084001 | RES CF 1/4W 5% 10M LL                     | R27, R38                    |
| 2           | 0024981001 | RES CF 1/4W 5% 10k LL                     | R23, R39                    |
| 2           | 0024985001 | RES CF 1/4W 5% 15k LL                     | R2, R34                     |
| 4           | 0025069001 | RES CF 1/4W 5% 1M LL                      | R1, R17, R37, R50           |

\* Non-serviceable part. Replace complete parent assembly. See PCB EXCHANGE POLICY section above.

*shaded* Unique Fender® part. Order directly from the FMIC Parts Department.

*shaded + \** Access to this part or assembly is controlled. Please contact the FMIC Customer Service Department.

△ Safety Critical Part. Replacement must match Safety Agency –Value, if specified –Type, if specified –Approval Mark(s), if on part.

*shaded + △* Both a unique Fender® part and a Safety Critical Part as defined above.





# BASSBREAKER™ 007

(This is the model name for warranty claims)

| PARTS LIST: |            | <b>PCB ASSEMBLY</b>            |                       |
|-------------|------------|--------------------------------|-----------------------|
| QTY.        | PART #     | DESCRIPTION                    | REFERENCE DESIGNATION |
| 1           | 0024965001 | RES CF 1/4W 5% 1k LL           | R51                   |
| 1           | 0025075001 | RES CF 1/4W 5% 2.2M LL         | R22                   |
| 1           | 0024971001 | RES CF 1/4W 5% 2.2k LL         | R4                    |
| 3           | 0025059001 | RES CF 1/4W 5% 220k LL         | R18, R41, R53         |
| 1           | 0025060001 | RES CF 1/4W 5% 270k LL         | R54                   |
| 1           | 0024973001 | RES CF 1/4W 5% 3.3k LL         | R45                   |
| 1           | 0024977001 | RES CF 1/4W 5% 4.7k LL         | R6                    |
| 1           | 0025065001 | RES CF 1/4W 5% 470k LL         | R35                   |
| 2           | 0024993001 | RES CF 1/4W 5% 47k LL          | R3, R48               |
| 4           | 0024947001 | RES CF 1/4W 5% 47ohm LL        | R42, R46-47, R52      |
| 1           | 0024995001 | RES CF 1/4W 5% 68k LL          | R24                   |
| 1           | 0024980001 | RES CF 1/4W 5% 8.2k LL         | R19                   |
| 3           | 0027353001 | RES FILM 1W 5% 100k LL         | R14, R30, R32         |
| 1           | 7707015000 | RES FILM 1W 5% 330k LL         | R15                   |
| 2           | 0036469001 | △RES MOX FP 1W 5% 4.7k LL      | R11-12                |
| 1           | 0037664001 | △RES MOX FP 1W 5% 1k LL        | R13                   |
| 2           | 0051417001 | △RES MOX 2W 5% 22ohm LL        | R9-10                 |
| 1           | 0034705001 | △RES MOX 2W 5% 270ohm LL       | R16                   |
| 1           | 0028898000 | △RES WW BT 5W 5% 240ohm        | R29                   |
| 1           | 0028091000 | SWITCH PUSH SLFLK SHORT STROKE | S4                    |
| 2           | 0041465003 | XSTR N-CH JFET J113 TO-92      | Q2-3                  |
| 1           | 0016742003 | XSTR PNP 2N4403 TO-92          | Q1                    |
| 1           | 0027872001 | RES CF 1/2W 5% 1.2k LL         | R100                  |
| 2           | 0050849000 | △HEATSINK PCB LEVEL 576012     | AT U1 & U2            |
| 3           | 0029167000 | TUBE SOCKET 9 PIN PCB MOUNT    | AT V1, V2, V3         |
| 1           | 7706449000 | LED TULIP PANEL MOUNT WHITE    |                       |
| 1           | 0028104000 | BUTTON PUSH SWITCH BLACK       | AT S4                 |

| PARTS LIST: |            | <b>CHASSIS ASSEMBLY</b>                |                                |
|-------------|------------|--|--------------------------------|
| QTY.        | PART #     | DESCRIPTION                            | REFERENCE DESIGNATION          |
| 2           | -          | △TUBE 7025/12AX7A ECC83S GT-GOLD       |                                |
| 1           | -          | △TUBE EL84-S SLOVAKIA                  |                                |
| 1           | 0048827000 | △FUSE QA 1-1/4X1/4 250V 2A             | F1 - DOMESTIC                  |
| 1           | 0020789000 | △FUSE QA 20mm X 5mm 250V 1A            | F1 220VAC-240VAC               |
| 1           | 7706160000 | △XFMR PWR 7W EL84 SE 120V DOM          | T2 DOMESTIC PWR XFMR           |
| 1           | 7706161000 | △XFMR PWR 7W EL84 SE 230V/240V         | T2 220VAC-240VAC ONLY PWR XFMR |
| 1           | 7706162000 | △XFMR PWR 7W EL84 SE 100V              | T2 100VAC JPN ONLY PWR XFMR    |
| 1           | 7706163000 | △XFMR OUTPUT 7W SE 8 OHMS              | T1 OUTPUT XFMR                 |
| 1           | 7706164000 | *PCB ASSY BASSBREAKER 007              | COMPLETE PCB ASSY 007 COMBO    |
| 1           | 7708154000 | *PCB ASSY BASSBREAKER 007 HEAD         | COMPLETE PCB ASSY 007 HEAD     |
| 5           | 7706965000 | KNOB BASSBREAKER FLAT 780 DEG          |                                |
| 1           | 7706167000 | *PANEL CHS REAR BASSBREAKER 007        |                                |
| 1           | 7707016000 | *PANEL CHS REAR BASSBREAKER 007 EXPORT |                                |
| 1           | 7706159000 | RETAINER TUBE EL84 BASSBREAKER         |                                |
| 2           | 0064512000 | COLLAR TUBE SHIELD 9PIN                |                                |

\* Non-serviceable part. Replace complete parent assembly. See PCB EXCHANGE POLICY section above.

*shaded* Unique Fender® part. Order directly from the FMIC Parts Department.

*shaded + \** Access to this part or assembly is controlled. Please contact the FMIC Customer Service Department.

△ Safety Critical Part. Replacement must match Safety Agency –Value, if specified –Type, if specified –Approval Mark(s), if on part.

*shaded + △* Both a unique Fender® part and a Safety Critical Part as defined above.



# BASSBREAKER™ 007

(This is the model name for warranty claims)

| PARTS LIST: |            | <b>CHASSIS ASSEMBLY</b>             |                        |
|-------------|------------|-------------------------------------|------------------------|
| QTY.        | PART #     | DESCRIPTION                         | REFERENCE DESIGNATION  |
| 2           | 0023598000 | TUBE SHIELD (099-0723-000)          |                        |
| 2           | 0039371000 | SPRING RETAINER TUBE 1.81Lx.15      |                        |
| 1           | 0079630000 | △GROMMET RUBBER .38 ID x .500 MTG   |                        |
| 1           | 0091860000 | JEWEL PILOT LITE CLEAR              |                        |
| 4           | 0022004000 | NUT KEPS #8-32 ZINC                 | PWR XFMR ATTACHMENT    |
| 4           | 0016473000 | NUT KEPS #8-32 ZINC                 | PWR XFMR ATTACHMENT    |
| 4           | 0038900000 | SCRW TF 6-32X1/4 PHP ZI             | AT TUBE SOCKET COLLAR  |
| 8           | 0064836000 | SCRW M 6-32x1/4 PHP ZI SEMS         | PWR PCB                |
| 7           | 0069393000 | NUT 6-32 HEX EXT LOCK               | OUTPUT XFMR ATTACHMENT |
| 11          | 0031188000 | SCRW M 4-40x1/4 PHP ZI ITWS         | TUBE PCB ATTACHMENT    |
| 2           | 0028914000 | BUSHING SNAP7/16X9-1/16 BLK         |                        |
| 2           | 0018022000 | BUSHING SNAP 5/16x17/32 BLK         |                        |
| 3           | 0014206000 | SCREW #6-32 x 1/4 UFHP BLX          | REAR PANEL BOTTOM      |
| 1           | 0021691000 | BUSHING SR .500x.100x7/16 BLK       |                        |
| 1           | 0036702000 | △FUSE HOLDER 3AG FINGER GRIP        | DOMESTIC               |
| 1           | 0036703000 | △FUSE HOLDER 5mm FINGER GRIP        | 220VAC-240VAC UNITS    |
| 1           | 0054642000 | △CONNECTOR IEC SNAP IN              |                        |
| 1           | 0022293000 | WSHR FLAT .473x.750 NI              | AT PWR SWITCH          |
| 1           | 0036570000 | △SWITCH TOGGLE DPST W/NUTS          |                        |
| 1           | 0032219000 | COLLAR-PILOT LIGHT                  |                        |
| 5           | 0091149000 | CABLE ASSY XH 2-CKT COAX 5"         |                        |
| 2           | 7707599000 | CABLE ASSY XH 3-CKT 7"              |                        |
| 1           | 0091889000 | CABLE ASSY XH 6-CKT 8"              |                        |
| 1           | 0031625000 | NUT HOLDER PILOT LIGHT 11/16-27     |                        |
| 1           | 0016436000 | STAR WASHER FOR PWR SWITCH          |                        |
| 2           | 0031153000 | FLAT WASHER PWR SWITCH & INPUT JACK |                        |
| 3           | 0014999000 | SCRW M 6-32X1/4 PHP BLX             | AT REAR PANEL TOP      |
| 4           | 0022186000 | SCRW M 6-32X3/8 PHP NI              | OUTPUT XFMR ATTACHMENT |
| 1           | 7707861000 | CABLE ASSY XH 3-CKT 12"             |                        |

| PARTS LIST: |            | <b>CABINET ASSEMBLY - COMBO</b>     |                               |
|-------------|------------|-------------------------------------|-------------------------------|
| QTY.        | PART #     | DESCRIPTION                         | REFERENCE DESIGNATION         |
| 1           | 7706153000 | *PANEL REAR PERF BB007              |                               |
| 1           | 7706154000 | *CABINET ASSY BASSBREAKER 007 COMBO | COMPLETE CABINET              |
| 1           | 7706157000 | *LOGO FENDER BASSBREAKER SERIES     |                               |
| 1           | 7706170000 | HANDLE BASSBREAKER SERIES           |                               |
| 4           | 0048976000 | FOOT RUBBER 1-1/2" BXR15            |                               |
| 1           | 7706171000 | *NAMEPLATE BASSBREAKER 007          |                               |
| 2Yd         | 0026317002 | △CLOTH GRILLE BASSBREAKER SERIES    |                               |
| 2Yd         | 7706172000 | COVERING BASSBREAKER SERIES         |                               |
| 4           | 0037247000 | SCREW M 8-32X1 OHP NI               | HANDLE SCREWS                 |
| 4           | 0064162000 | NUT T 8-32X1/2 STR 3 SPNG BLX       | # 8 T-NUT FOR HANDLE          |
| 4           | 0033350000 | SCRW SMAB 8X1 RHP BLX               | FEET SCREWS                   |
| 4           | 0021972000 | NUT T 10-32X3/4 STR 3 PRNG BLX      | #10 T-NUT FOR BAFFLE/SPEAKERS |
| 14          | 0011678000 | SCREW SMA #8 1-1/2 OHP BLX          | BAFFLE SCREWS                 |
| 14          | 0075721000 | SCREW SMA #6X5/8 FHP BLX            | EXTRUSION SCREWS              |

\* Non-serviceable part. Replace complete parent assembly. See PCB EXCHANGE POLICY section above.

*shaded* Unique Fender® part. Order directly from the FMIC Parts Department.

*shaded + \** Access to this part or assembly is controlled. Please contact the FMIC Customer Service Department.

△ Safety Critical Part. Replacement must match Safety Agency –Value, if specified –Type, if specified –Approval Mark(s), if on part.

*shaded + △* Both a unique Fender® part and a Safety Critical Part as defined above.



# BASSBREAKER™ 007

(This is the model name for warranty claims)

| PARTS LIST: |            | <b>CABINET ASSEMBLY - HEAD</b>     |                               |
|-------------|------------|------------------------------------|-------------------------------|
| QTY.        | PART #     | DESCRIPTION                        | REFERENCE DESIGNATION         |
| 1           | 7706179000 | *CABINET ASSY BASSBREAKER 007 HEAD | COMPLETE CABINET              |
| 2 YD        | 7706172000 | COVERING TWEED BLACK               |                               |
| 2 YD        | 0026317002 | △CLOTH GRILLE BLACK PVC            | GRILLE CLOTH                  |
| 1           | 7706170000 | HANDLE BASSBREAKER SERIES          |                               |
| 1           | 7706171000 | *NAMEPLATE BASSBREAKER 007         | LOGO                          |
| 1           | 7706153000 | *PANEL REAR PERF BB 007            |                               |
| 4           | 7704305000 | SCREW M 8-32X1/2 OHP NI            | HANDLE SCREWS                 |
| 4           | 0064162000 | NUT T 8-32X1/2 STR 3 SPNG BLX      | #10 T-NUT FOR BAFFLE/SPEAKERS |
| 4           | 0033380000 | SCRW SMAB 8X1 RHP BLX              | FEET SCREWS                   |
| 4           | 9280530414 | SCREW SMA 8 1-1/4 OHP BLX          |                               |
| 4           | 0029527000 | SCREW SMA #6X5/8 FLNGD BLX WX      |                               |
| 3           | 0075721000 | SCREW SMA #6X5/8 FHP BLX           | EXTRUSION SCREWS              |

| PARTS LIST: |            | <b>END ITEM ASSEMBLY - COMBO</b>    |                        |
|-------------|------------|-------------------------------------|------------------------|
| QTY.        | PART #     | DESCRIPTION                         | REFERENCE DESIGNATION  |
| 1           | 7700223000 | CELESTION TEN 30 8 OHM              | SPEAKER                |
| 4           | 0047821000 | SCREW M 10-32 ¼ THP STL BLX         | SPEAKER MTG            |
| 1           | 7706154000 | *CABINET ASSY BASSBREAKER 007 COMBO | COMPLETE CABINET       |
| 1           | 7706157000 | *LOGO FENDER BASSBREAKER SERIES     |                        |
| 6           | 0016014000 | SCRW M 10-32X1 THP NI               | CHASSIS MTG            |
| 5           | 0037215000 | WSHR C/SUNK NICKEL #6               | CABINET REAR PANEL MTG |
| 5           | 0016188000 | SCRW WOOD 6x1 OHP NI                | REAR PERF PANEL MTG    |
| 2           | 0037210000 | SCREW SMA 2X3/8 OHP NI              | LOGO MTG               |
| 1           | 0047248000 | △CORD PWR W/ IEC DOM 120V           | IEC POWER CABLE        |
| 1           | 0047251000 | △CORD PWR W/IEC CONN 230V           | IEC POWER CABLE        |
| 1           | 0047249000 | △CORD PWR W/IEC CONN 230V UK        | IEC POWER CABLE        |
| 1           | 0047250000 | △CORD PWR W/IEC CONN 250V           | IEC POWER CABLE        |
| 1           | 0053997000 | △CORD PWR W/IEC CONN 100V JPN       | IEC POWER CABLE        |
| 1           | 0057674000 | △CORD PWR W/IEC 230V ARG            | IEC POWER CABLE        |
| 1           | 0029821000 | △EYELET RFLNGD .215 ODX.315 L       | GROUNDING EYELET       |
| 6           | 0016014000 | SCRW M 10-32X1 THP NI               |                        |
| 5           | 0037215000 | WSHR C/SUNK NICKEL #6               |                        |
| 5           | 0016188000 | SCRW WOOD 6X1 OHP NI                |                        |
| 4           | 0047821000 | SCRW M 10-32 ¼ THP STL BLX          |                        |
| 5           | 0067014000 | SCRW SMA 6X5/8 THP BLX              |                        |
| 2           | 0037210000 | SCREW SMA 2X3/8 OHP NI              |                        |

| PARTS LIST: |            | <b>END ITEM ASSEMBLY - HEAD</b>    |                       |
|-------------|------------|------------------------------------|-----------------------|
| QTY.        | PART #     | DESCRIPTION                        | REFERENCE DESIGNATION |
| 1           | 7706179000 | *CABINET ASSY BASSBREAKER 007 HEAD |                       |
| 1           | 7706157000 | *LOGO FENDER BASSBREAKER SERIES    |                       |
| 6           | 0016014000 | SCRW M 10-32X1 THP NI              |                       |

\* Non-serviceable part. Replace complete parent assembly. See PCB EXCHANGE POLICY section above.

*shaded* Unique Fender® part. Order directly from the FMIC Parts Department.

*shaded + \** Access to this part or assembly is controlled. Please contact the FMIC Customer Service Department.

△ Safety Critical Part. Replacement must match Safety Agency –Value, if specified –Type, if specified –Approval Mark(s), if on part.

*shaded + △* Both a unique Fender® part and a Safety Critical Part as defined above.



# BASSBREAKER™ 007

(This is the model name for warranty claims)

| PARTS LIST: |            | <b>END ITEM ASSEMBLY – HEAD</b> |                       |
|-------------|------------|---------------------------------|-----------------------|
| QTY.        | PART #     | DESCRIPTION                     | REFERENCE DESIGNATION |
| 5           | 0067014000 | SCRW SMA 6X5/8 THP BLX          |                       |
| 2           | 0037210000 | SCREW SMA 2X3/8 OHP NI          |                       |
| 1           | 0047248000 | △CORD PWR W/ IEC DOM 120V       | IEC POWER CABLE       |
| 1           | 0047251000 | △CORD PWR W/IEC CONN 230V       | IEC POWER CABLE       |
| 1           | 0047249000 | △CORD PWR W/IEC CONN 230V UK    | IEC POWER CABLE       |
| 1           | 0047250000 | △CORD PWR W/IEC CONN 250V       | IEC POWER CABLE       |
| 1           | 0053997000 | △CORD PWR W/IEC CONN 100V JPN   | IEC POWER CABLE       |
| 1           | 0057674000 | △CORD PWR W/IEC 230V ARG        | IEC POWER CABLE       |
| 1           | 0029821000 | △EYELET RFLNGD .215 ODX.315 L   | GROUNDING EYELET      |

\* Non-serviceable part. Replace complete parent assembly. See PCB EXCHANGE POLICY section above.

*shaded* Unique Fender® part. Order directly from the FMIC Parts Department.

*shaded + \** Access to this part or assembly is controlled. Please contact the FMIC Customer Service Department.

△ Safety Critical Part. Replacement must match Safety Agency –*Value*, if specified –*Type*, if specified –*Approval Mark(s)*, if on part.

*shaded + △* Both a unique Fender® part and a Safety Critical Part as defined above.



# BASSBREAKER™ 007

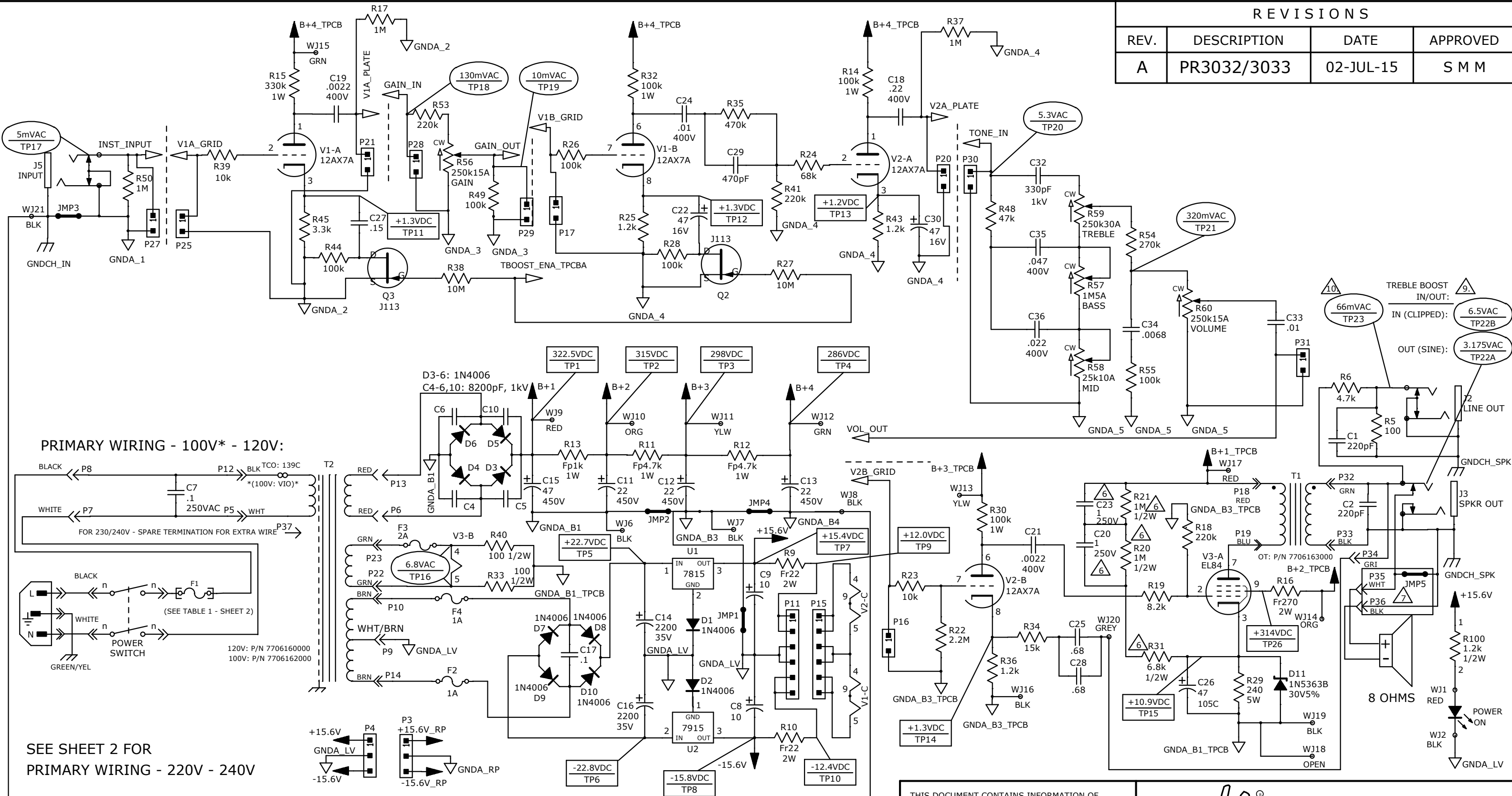
(This is the model name for warranty claims)

## Service Diagram List

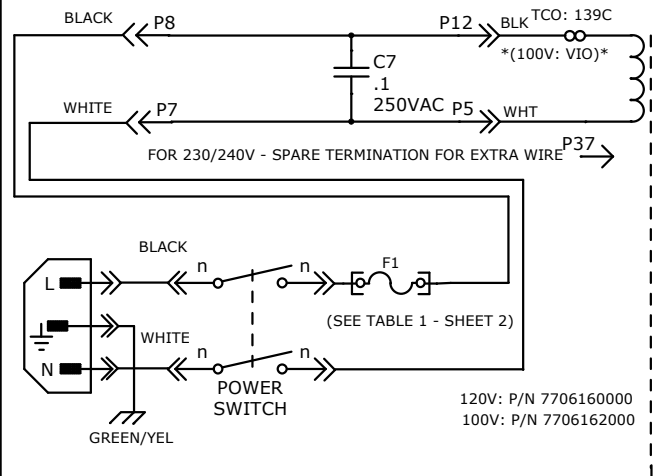
Service Diagram (Schematic).....Bassbreaker 007 Main PCB  
 Service Diagram (Schematic).....Bassbreaker 007 Main PCB  
 Service Diagram (PCB Assembly).....Bassman 007 Main PCB

REVISIONS

| REV. | DESCRIPTION | DATE      | APPROVED |
|------|-------------|-----------|----------|
| A    | PR3032/3033 | 02-JUL-15 | S M M    |



PRIMARY WIRING - 100V\* - 120V:



SEE SHEET 2 FOR PRIMARY WIRING - 220V - 240V

8. ALL VOLTAGES MEASURED WITH RESPECT TO SP:GROUND USING A DVM WITH AT LEAST 1MEG AC INPUT IMPEDANCE AND 10MEG DC INPUT IMPEDANCE. VOLTAGES MAY VARY +/- 20%.
- TEST CONDITIONS:  
 8 OHM RESISTIVE LOAD CONNECTED AT SPKR OUT (J3).  
 PANEL CONTROL SETTINGS: GAIN @ 12:00, ALL OTHER CONTROLS AT MAX (FULLY CW)  
 DC TESTS (TP1 TO TP15,TP26) - NO SIGNAL APPLIED  
 AC TESTS (TP16 TO TP23): 5MILLIVOLT, 1kHz SINUSOIDAL SIGNAL APPLIED TO INPUT (J5)
9. TREBLE BOOST SWITCH OUT EXCEPT FOR TESTS AT TP22, TP24, TP25
10. LINE OUT TEST (TP23) - INSTALL OPEN 1/4 INCH PLUG IN J2

- FOR COMBO:  
 P35,P36 INSTALLED. JMP5 NOT INSTALLED.
- FOR HEAD:  
 JMP5 INSTALLED. P35,P36 NOT INSTALLED.
6. R20,21,31 & C20,23 NOT INSTALLED.

5. THIS SCHEMATIC IS FOR PCB FABRICATION P/N 7706169000 AND PCB ASSEMBLY P/N 7706164000 (COMBO) & 7708153000 (HEAD)
4. ALL DIODES ARE 1N4448.
3. ALL POLARIZED CAPACITORS IN uF, 20%; 50V MINIMUM.
2. ALL UNPOLARIZED CAPACITORS IN uF, 10% OR BETTER; 50V MINIMUM. (POWER SUPPLY BYPASS CAPACITORS ARE 20%).
1. ALL RESISTORS IN OHMS, 5%; 1/4W.

NOTES: (UNLESS OTHERWISE NOTED)

THIS DOCUMENT CONTAINS INFORMATION OF A PROPRIETARY NATURE TO FENDER MUSICAL INSTRUMENTS AND IS SUBMITTED TO YOU IN CONFIDENCE AND SHALL NOT BE DISCLOSED OR TRANSMITTED TO OTHERS WITHOUT AUTHORIZATION FROM FENDER MUSICAL INSTRUMENTS.

CHECKED BY: \_\_\_\_\_  
 DATE: \_\_\_\_\_

APPROVED BY: \_\_\_\_\_  
 DATE: \_\_\_\_\_

DRAWN: GIT'LO      ENGR: GIT'LO

DATABASE FILE: Z3032S.SCH

**Fender** MUSICAL INSTRUMENTS  
 Corona, CA U.S.A.

TITLE: SERVICE DIAGRAM, COMBINED (schematic)  
 BASSBREAKER 007  
 MAIN PCB

SIZE: **B**      DRAWING NUMBER: **7706211000**      REV. **A**

RELEASE DATE: 02-JUL-15      SHEET: 1 OF 3

REVISIONS

| REV. | DESCRIPTION | DATE      | APPROVED |
|------|-------------|-----------|----------|
| A    | PR3032/3033 | 02-JUL-15 | S M M    |

PRIMARY WIRING - 220V-240V

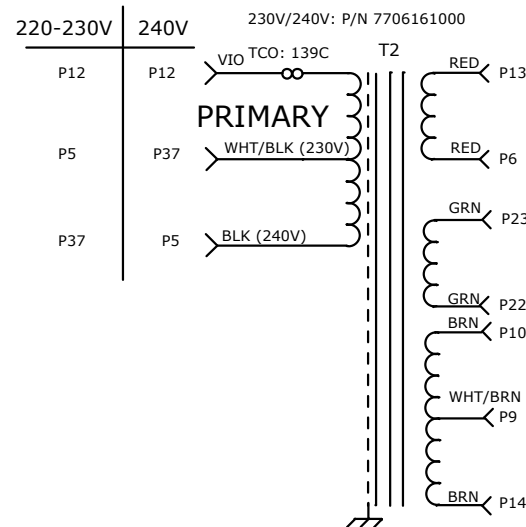
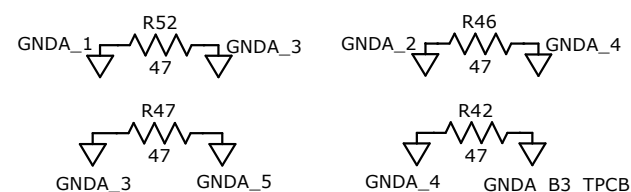
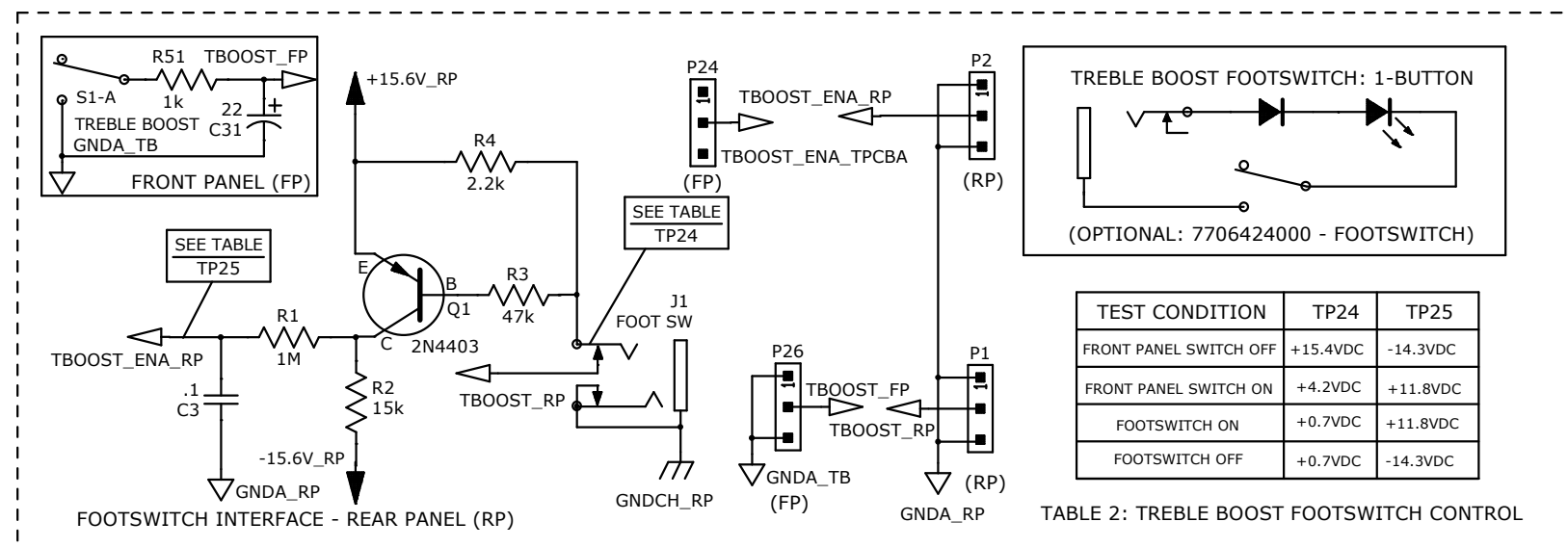


TABLE 1:  
BB007 - PRIMARY WIRING & MAINS FUSES FOR INTERNATIONAL SERVICE

| LINE VOLTAGE | POWER TRANSFORMER | COLOR - P12 | COLOR - P5 | COLOR - P37 | MAIN FUSE - FMIC # |
|--------------|-------------------|-------------|------------|-------------|--------------------|
| 100          | 7706162000        | VIOLET      | WHITE      | X           | F2A - 0048827000   |
| 110          | 7706160000        | BLACK       | WHITE      | X           | F2A - 0048827000   |
| 120          | 7706160000        | BLACK       | WHITE      | X           | F2A - 0048827000   |
| 220          | 7706161000        | VIOLET      | WHT/BLK    | BLK         | F1A - 0020789000   |
| 230          | 7706161000        | VIOLET      | WHT/BLK    | BLK         | F1A - 0020789000   |
| 240          | 7706161000        | VIOLET      | BLK        | WHT/BLK     | F1A - 0020789000   |

9 TREBLE BOOST - FRONT PANEL SWITCH & REAR PANEL FOOTSWITCH INTERFACES



NOTES: SEE SHEET 1

|  |  |  |                          |
|--|--|--|--------------------------|
| <p>THIS DOCUMENT CONTAINS INFORMATION OF A PROPRIETARY NATURE TO FENDER MUSICAL INSTRUMENTS AND IS SUBMITTED TO YOU IN CONFIDENCE AND SHALL NOT BE DISCLOSED OR TRANSMITTED TO OTHERS WITHOUT AUTHORIZATION FROM FENDER MUSICAL INSTRUMENTS.</p> | <p>MUSICAL INSTRUMENTS<br/>Corona, CA U.S.A.</p> |  |                          |
|  | <p>CHECKED BY: _____<br/>DATE: _____</p>         | <p>TITLE: SERVICE DIAGRAM, COMBINED (schematic)<br/>BASSBREAKER 007<br/>MAIN PCB</p> |                          |
| <p>APPROVED BY: _____<br/>DATE: _____</p>  | <p>SIZE<br/><b>B</b></p>                         | <p>DRAWING NUMBER<br/><b>7706211000</b></p>  | <p>REV.<br/><b>A</b></p> |
| <p>DRAWN: GIT'LO      ENGR: GIT'LO</p>   | <p>RELEASE DATE: 02-JUL-15</p>                   |  | <p>SHEET: 2 OF 3</p>     |
| <p>DATABASE FILE: Z3032S.SCH</p>   |  |  |                          |

8

7

6

5

4

3

2

1

| REVISIONS |             |           |          |
|-----------|-------------|-----------|----------|
| REV.      | DESCRIPTION | DATE      | APPROVED |
| A         | PR3032/3033 | 25-JUN-15 | S M M    |
|           |             |           |          |
|           |             |           |          |

D

D

C

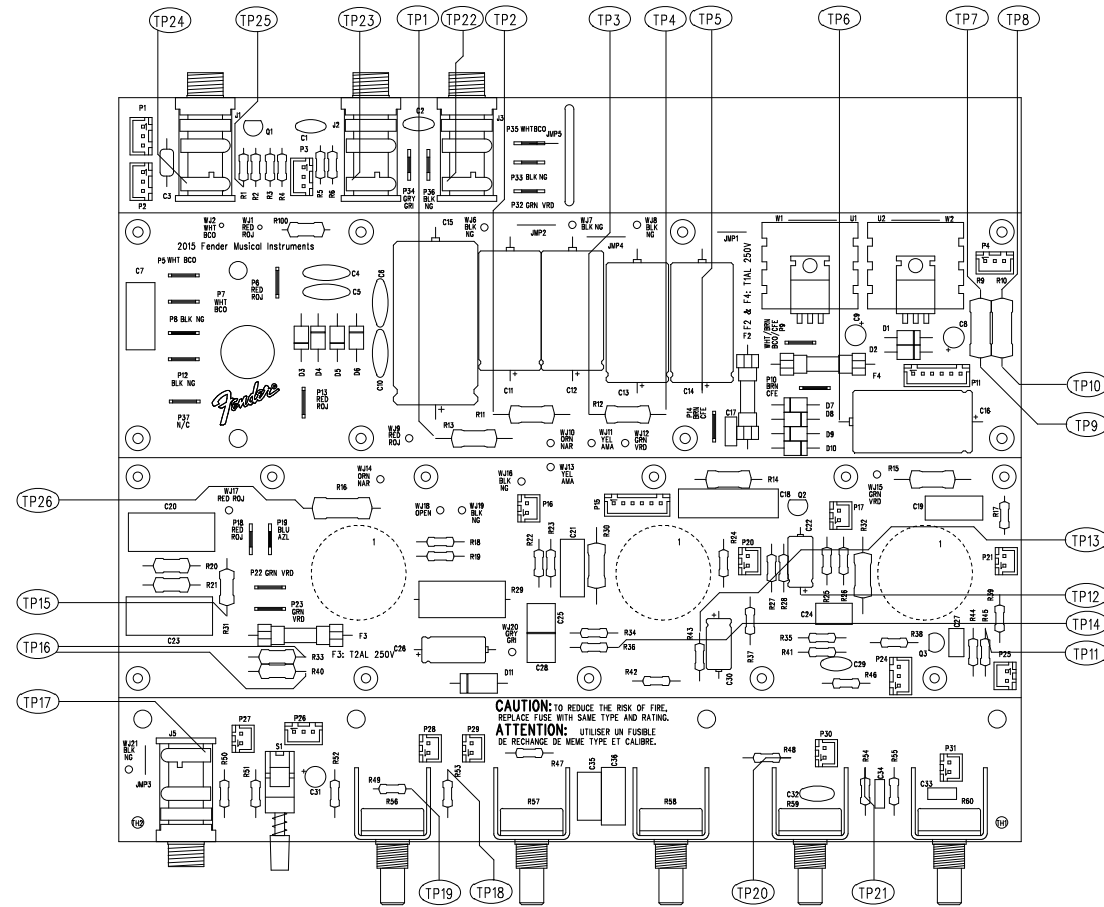
C

B

B

A

A



FLM/DWG: SERVICE DIAGRAM  
 DATABASE: Z3032P.PCB DATE: 30-JUN-15

- 1. PCB ASSEMBLY SHOWN AS FABRICATED BEFORE INSTALLATION IN CHASSIS.
- 2. WIRES NOT SHOWN FOR CLARITY.
- 3. P35 AND P36 INSTALLED IN COMBO UNITS ONLY. JMP5 INSTALLED IN HEAD UNITS ONLY.

NOTES: (UNLESS OTHERWISE NOTED)

|   |              |  |                            |
|---|--------------|--|----------------------------|
| <small>THIS DOCUMENT CONTAINS INFORMATION OF A PROPRIETARY NATURE TO FENDER MUSICAL INSTRUMENTS AND IS SURMISED TO YOU IN CONFIDENCE AND SHALL NOT BE DISCLOSED OR TRANSMITTED TO OTHERS WITHOUT AUTHORIZATION FROM FENDER MUSICAL INSTRUMENTS.</small> |              |  |                            |
| MUSICAL INSTRUMENTS<br>Corona, CA U.S.A.  |              | TITLE: SERVICE DIAGRAM, COMBINED (PCB assy)<br>BASSBREAKER 007<br>MAIN PCB |                            |
| CHECKED BY:   | DATE:        | SIZE: <b>D</b>   | DRAWING NUMBER: 7706211000 |
| APPROVED BY:  | DATE:        | ENGR: GIT'LO   | REV: <b>A</b>              |
| DRAWN: GIT'LO   | ENGR: GIT'LO | RELEASE DATE: 30-JUN-15  | SHEET 3 OF 3               |
| DATABASE FILE: Z3032P.PCB   |              |  |                            |

8

7

6

5

4

3

2

1